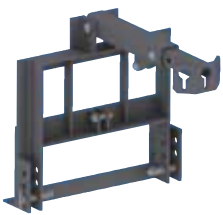
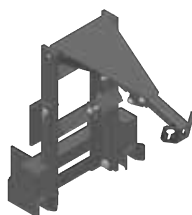


# PlowHitches

Designed to withstand the harshest winter conditions



Hitch | Pin



Hitch | Quick



Hitch | Loop Style

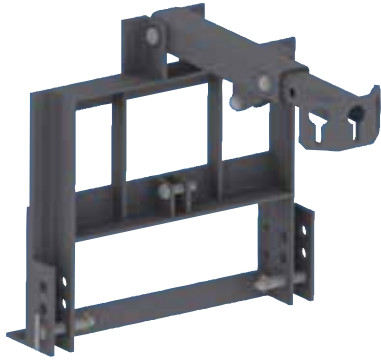


Hitch | Husting



Hitch | Quick Link

# Hitch | Pin Type



**MC5000**

- Low Profile Design
- Available in 21", 30.5", & 33.5" Centers
- Non Tilt
- Telescopic Lift Arm



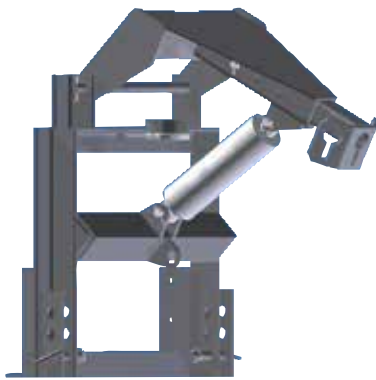
**MC201**

- High Profile Design
- Available in 30.5" & 33.5" Centers
- Tilting with Lever Release for Locking
- Telescopic Lift Arm



**MC8002**

- High Profile Design
- Available in 21", 30.5", & 33.5" Centers
- Tilting
- Telescopic Lift Arm



**00011210 MC5000-FFLA**

- Low Profile Design
- Available in 30.5" Centers
- Non-Tilt
- Telescopic w/Fold Flat Lift Arm

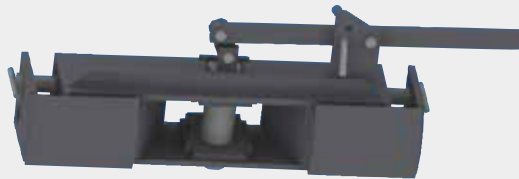


**00031835 26B**

## Plow Portion



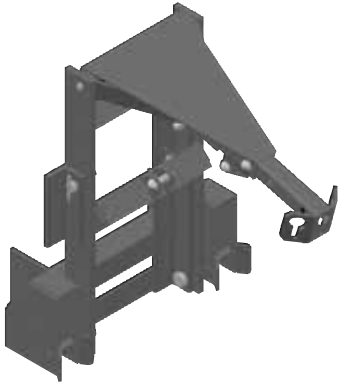
**Pin Style Swivel Hitch Also Available in 21", 30.5", & 33.5" Center**



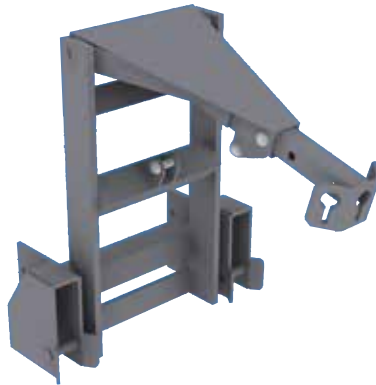
**MC801 Field Conversion Kit to Convert Pin Style to Loop Style Hitch**



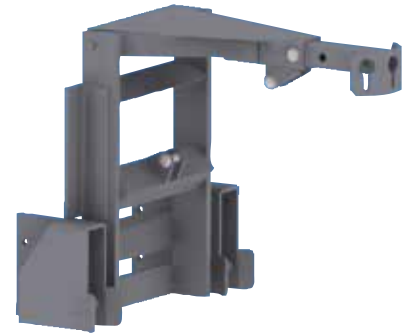
**Pin Hitch for 26B Style Hitch**



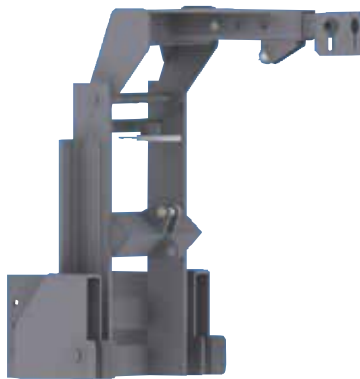
- MC7082**
- High Profile
  - Positive 2 Point Latch System
  - 30.5" Centers
  - Manual Tilt
  - Telescopic Lift Arm



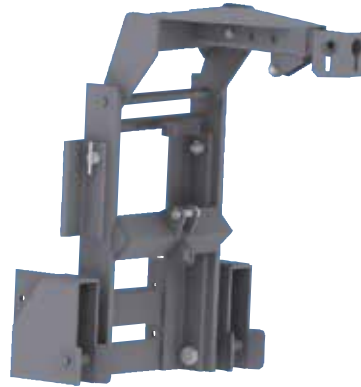
- MC7083**
- High Profile
  - Positive 2 Point Latch System
  - 30.5" Centers
  - Non Tilt
  - Telescopic Lift Arm



- 00015137 MC7000**
- Low Profile
  - Positive 2 Point Latch System
  - 30.5" Centers
  - Non Tilt
  - Telescopic Lift Arm



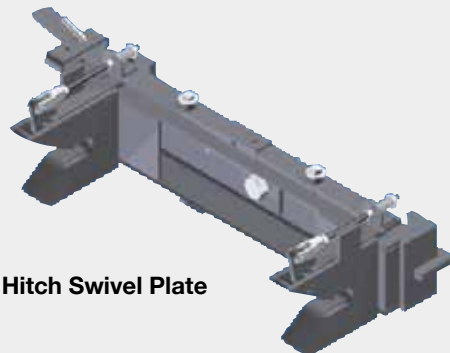
- 00054392 MC7090**
- Low Profile
  - Positive 2 Point Latch System
  - 30.5" Centers
  - Non Tilt
  - Telescopic w/Fold Flat Lift Arm



- 00102712 MC7092**
- Low Profile
  - Positive 2 Point Latch System
  - 30.5" Centers
  - Manual Tilt
  - Telescopic Lift Arm



## Plow Portion



**MC6000 Quick Hitch Swivel Plate**

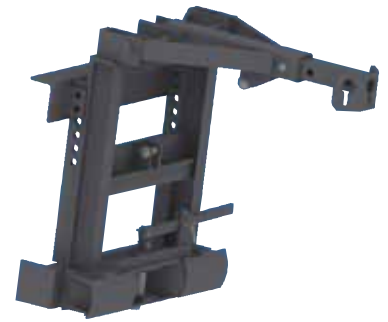
# Hitch | Loop Style



**MC2080 Pin Loop**  
- Low Profile  
- Non Tilt  
- Telescopic w/Fold Flat Lift Arm

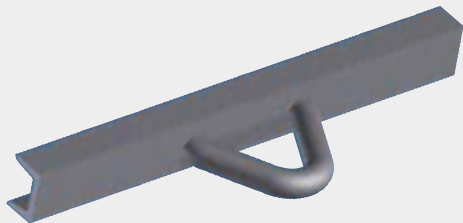


**QCP/FFLA**  
- Low Profile  
- Non Tilt  
- Telescopic w/Fold Flat Lift Arm

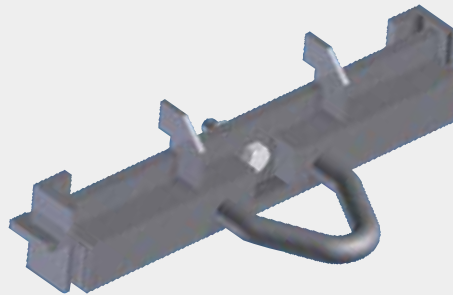


**MC2075**  
- Low Profile  
- Non Tilt  
- Telescopic Lift Arm

# Plow Portion

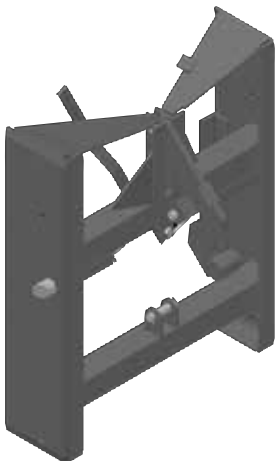


**QCP Loop Weld On Style**



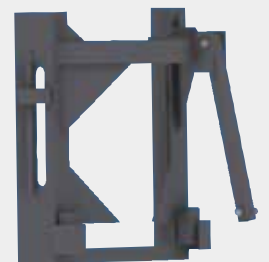
**QCP Loop Bolt On Style Swivel Plate**

# Hitch | Husting



**Husting Hitch**  
- Available in 29" & 34" Wide

# Plow Portion



**Husting Hitch Plow Portion**

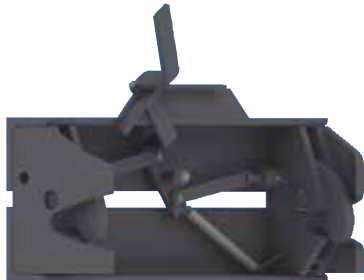


**00043300 Roller Kit**

# Hitch | Quick Link

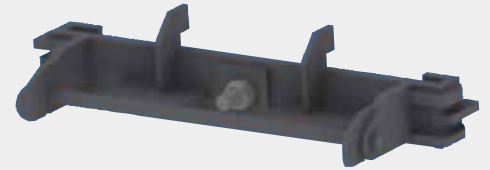


- PF91-QL1/FFLA/Tilt**
- Low Profile
  - Tilt
  - Telescopic w/Fold Flat Lift Arm



- PF91-QL1/FFLA 00052633**
- Low Profile
  - Non Tilt
  - Telescopic w/Fold Flat Lift Arm

## Plow Portion



Quick Link Swivel Plate Hitch



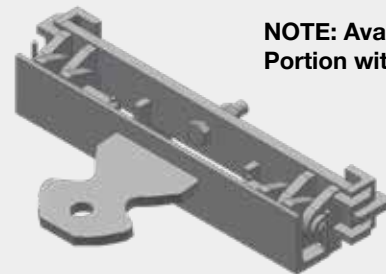
00059247 Field Conversion Kit

# Hitch | Tor-Lock/Arrowhead



- Tor-Lock or Arrowhead**
- Low Profile
  - Non Tilt
  - Telescopic w/Fold Flat Lift Arm
  - Integral Arrowhead Receiver

## Plow Portion



**NOTE: Available in Weld On Plow Portion without Swivel Plate**

Oscillating Plow Portion Tor-Lock/Arrowhead Hitch

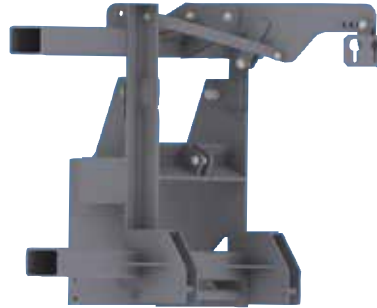


MC9001 Field Conversion Kit

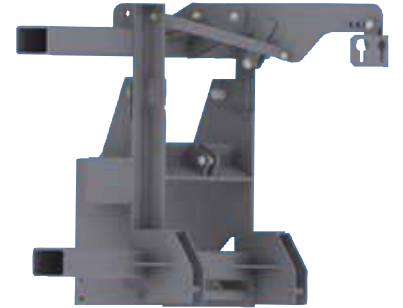
# Hitch | Custom



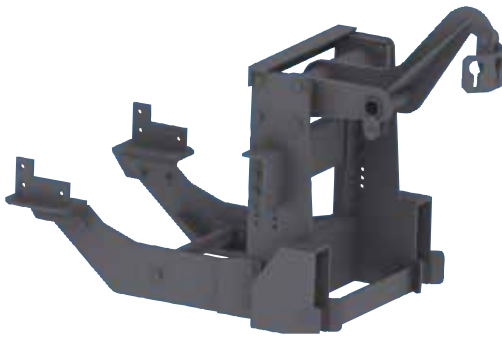
00016541 Power Tilt



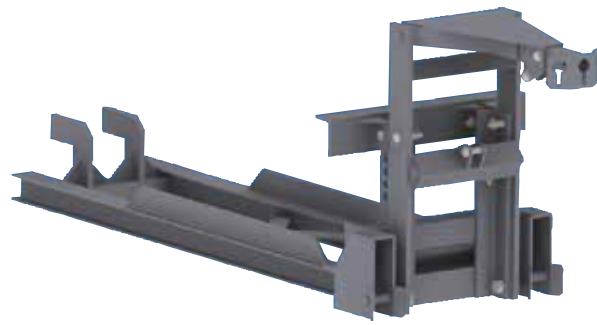
00029185 Power Tilt Quick Hitch with Wing Cross Tubes



Flat Plate Hitch



00039044 MTA8000-Q

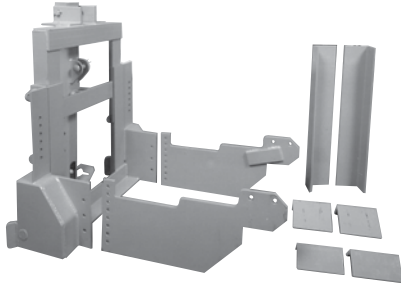


00091753 UBA Quick Hitch

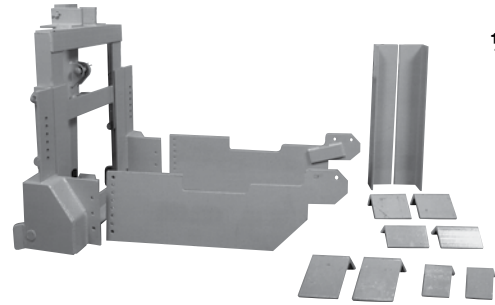


## Side Plates

**SPU  
1/2" Universal  
Side Plates**



*Hitch is not included  
with the side plates.*



**SPU  
1/2" Universal  
Side Plates  
for Chassis  
with Frame  
Extensions**

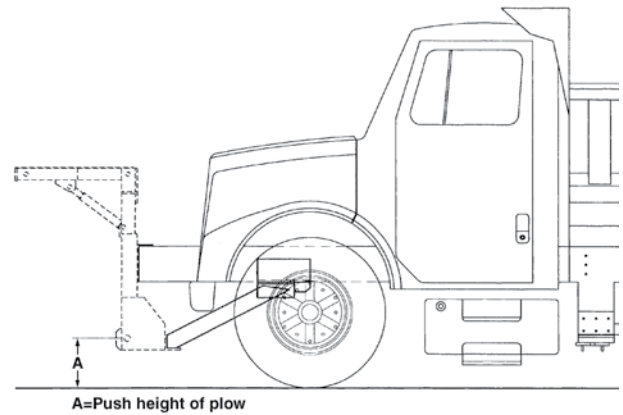
*NOTE: Some modifications may be required for hitch installation.*

**Product updates and specifications are subject to change without notice.**

## Thrust Arm Kits



**MC50  
Thrust Arm  
Mounting Kit**



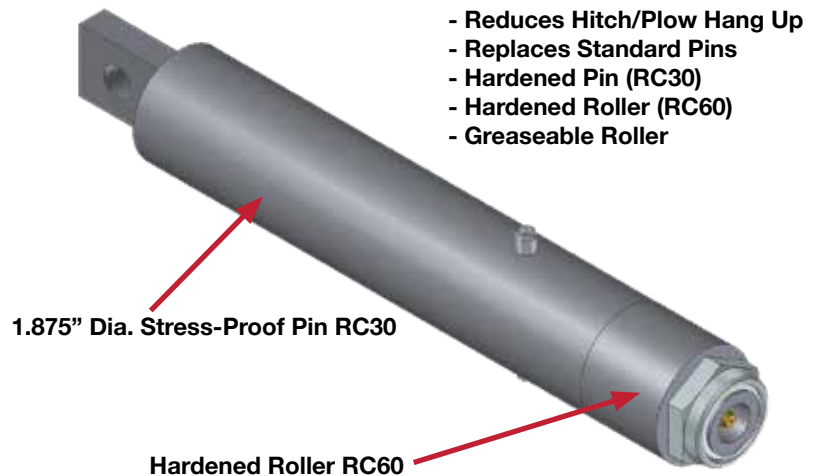
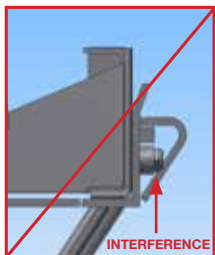
## Hitch | Replacement HH Roller Pin

**PN: 05022221  
Pin Assembly with Roller, Grease Fitting, & Machine Nut**

**NOTE:**

MTE roller pins for Husting-style hitches will not latch properly with angled hitch reinforcements. Plow-portion hitches must have a C-channel style reinforcement to prevent interference with the roller pins.

Older plow hitches must be updated with C-channel (Part #00137630) when used with MTE roller pins.



## 4 Locations to Serve You

---

Monroe, WI

Marshfield, WI

De Pere, WI

Joliet, IL



[municipal.monroetruck.com](http://municipal.monroetruck.com)

800-880-0109

 **monroe**

a brand of aebe schmidt