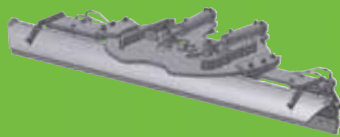


# UNDERBODY SCRAPERS

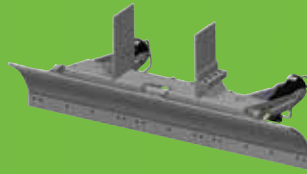
Designed to withstand the harshest winter conditions



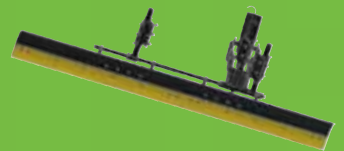
SCRAPER | MS4500



SCRAPER | FMB 3500



SCRAPER | MS4500 FX



SCRAPER | MF5

# Scraper | MS4500

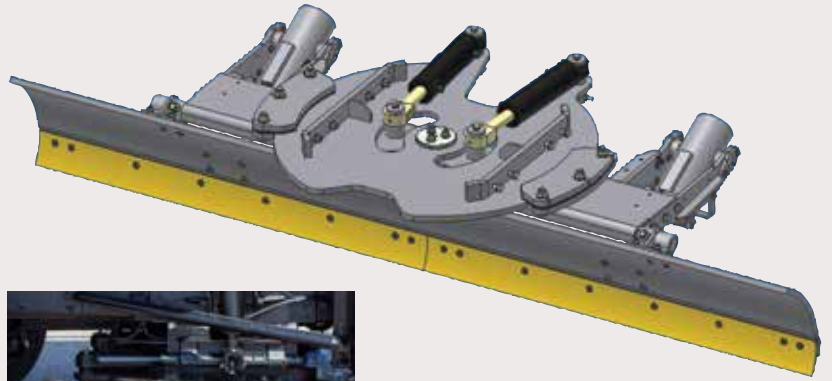
Maximize Vehicle Efficiency with Year Round Maintenance Equipment

Capable of Plowing Snow at Various Speeds and Withstand Snow Pack and Ice

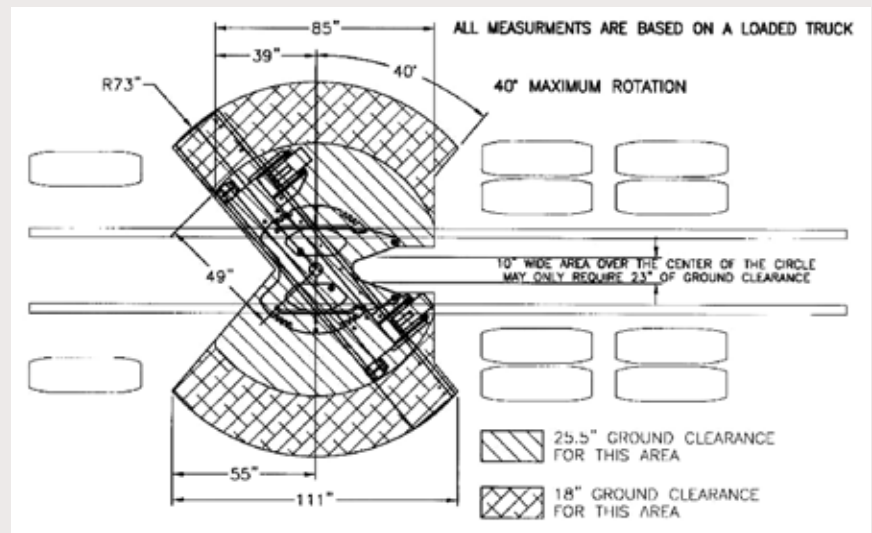
Spring/Summer/Fall Gravel Shoulder and Road Maintenance

## Standard Features

- 1" Thick Moldboard with Formed Offset for Cutting Edge
- Moldboard - Length: 10', 11' & 12' ; Height: 20" or 15"
- ½" x 6", AASHO Punch, Double Beveled Cutting Edge
- Reversible 45° Left and Right with Infinite Plow Positions
- (2) 4" x 12" Double Acting Reverse Cylinders with 2" Rods
- Socatri 1000 Cylinder Rods are Extremely Corrosion Resistant
- 5" Center Pin is Piloted into Hangerboard to Increase Effective Surface Area to Relieve Side Shear on the Pivot Bushing
- Contour Shaped Hold Down Blocks Match the Radius of the Circle for Increased Strength
- Bolt On Trunion Pins at Canister Pivot Points for Ease of Maintenance and Simpler Replacement



Shown with optional Side Plate

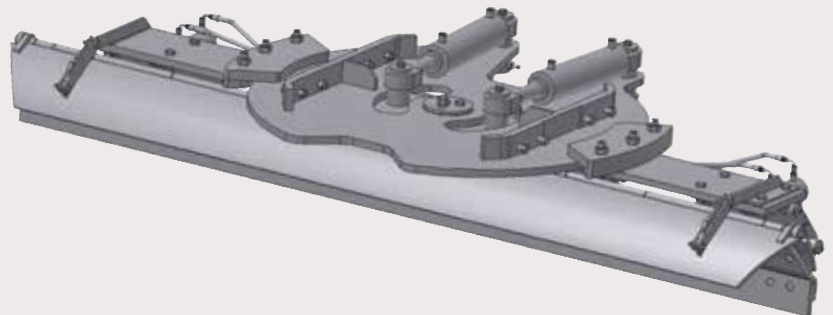


\*This model is just one representation of the Monroe 4500 series underbody scraper. Other moldboard heights and lengths will affect the measurements. Call your Monroe representative for more details.

# Scraper | FMB 3500

## Standard Features

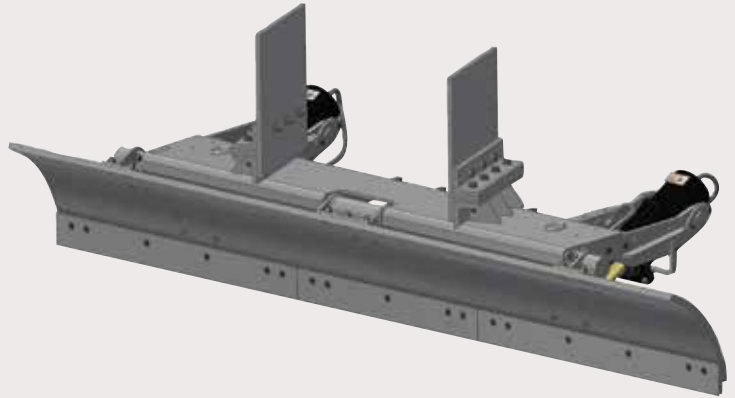
- Moldboard - Length: 10', 11' & 12' ; Height: 20"
- Two Piece Moldboard:
  - » Upper Deflector is ½" x 10"
  - » Lower Deflector is ¾" x 9"
- 1" x 10" Hangerboard
- 1/2" x 6" AASHO Punch, Double Beveled Cutting Edge
- (2) 3" Actuating Cylinders
- 1" Solid Circle
- 5" Center Pin
- (2) 4" Power Reverse Cylinder
- (4) Heavy Duty Long Travel Spring Assemblies for Absorbing Road Shock
- Moldboard Angles up to 45°



# Scraper | MS4500 FX

## Standard Features

- 1" Thick Moldboard with Formed Offset for Cutting Edge
- Fixed Angle Moldboard: Length 10', 11' & 12' ; Height: 20" or 15"
- ½" x 6" AASHO Punch DBC Cutting Edge
- H.D. 1/2" Reinforced Hangerboard
- Dual Canister Trip
- H.D. Hinge Assembly
- ¾" Hanger Plates

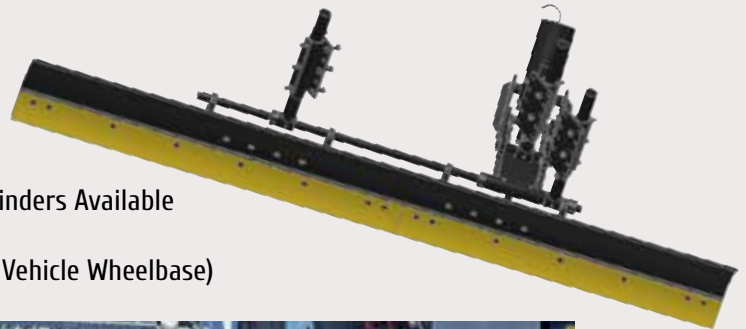


Shown with optional  
Adjustable Height  
Slotted Side Plates

# Scraper | MF5

## Standard Features

- 1" Thick Moldboard with Formed Offset for Cutting Edge
- Fixed Angle Moldboard: Length 10', 11' & 12' ; Height: 20"
- ½" x 6", AASHO Punch, Double Beveled Cutting Edge
- (1) 3" x 11.5" Actuating Cylinder - OPTIONAL Two Actuating Cylinders Available
- One Shock Absorber
- Fixed, Right or Left Discharge Angle 35° - 45° (Depending on Vehicle Wheelbase)



## Options

- Cutting Edges
- Curb Guards
- Side Mounting Plates
- Grease Line Kits
- Oscillating Side Plates
- Heavy Duty Springs
- Rolled Moldboard
- Special Paint



Grease Line Extension Kit



**4 LOCATIONS  
TO SERVE YOU**

**MONROE, WI  
MARSHFIELD, WI  
DE PERE, WI  
JOLIET, IL**



**[municipal.monroetruck.com](http://municipal.monroetruck.com)  
800-880-0109**

