



ONE WAY PLOW SLOTTED TRIP

Service and Parts Manual



Monroe Snow & Ice Control

A Division of Monroe Truck Equipment

1051 W. 7th Street

Monroe, WI 53566

Phone: 608-328-8127

Fax: 608-329-8488

Website: www.monroetruck.com

Email: snowandicecontrol@monroetruck.com

05052190
05212007



TABLE OF CONTENTS

Safety Instructions	2
Maintenance Instructions	3
Torque Chart	3
General Information	4
Replacement Parts	6-18
How to Order Parts	19
Return Policy	19
Warranty Registration	20-22

SAFETY INSTRUCTIONS

- Read all installation, safety and maintenance instructions completely before operating this equipment
- Keep all personnel clear of moving parts while equipment is being operated.
- Do not operate equipment in need of maintenance! Repair immediately!
- While operating this equipment, use common sense, use caution, be alert and be safety-conscious.



CAUTION: “Stacking” (piling) of snow with a push plow is not recommended.

Raising the plow too high while stacking can damage the plow and mount by causing the lift arm to fold up and contact the moldboard.

Do not lift the plow more than 18” off the ground with piling and stacking snow.

Where possible, start the snow season by pushing snow as far back as possible from the area begin plowed to avoid having to move or stack it later.

MAINTENANCE INSTRUCTIONS

In Season:

- Check for loose bolts and nuts daily, and re-torque before use. (Failure to inspect equipment on a daily basis may seriously affect safety and/or efficiency.)
- Lubricate all grease fittings every ten hours of normal use and more frequently under heavy use.
- A cross over relief valve (1800 PSI) MUST be plumbed into the reversing circuit.
- Check all hydraulic fittings for tightness on a regular basis.
- System pressure should NOT exceed 2000 PSI.
- Check cutting edge for wear. Do not let cutting edge wear closer than $\frac{1}{2}$ " to $\frac{3}{8}$ " from the bottom angle of the moldboard.
- Due to the nature of use and environment this plow is operating in, damage and wear may occur at any time. Therefore, **Monroe Truck Equipment** recommends the end user establish and follow a daily inspection routine before using this plow.

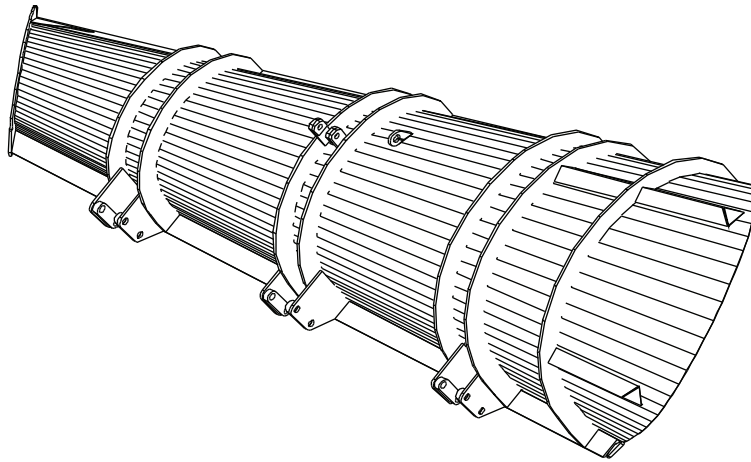
Off Season:

- Use care when disconnecting hydraulic lines to assure that no dirt or foreign objects enter the hydraulic system. Use caps to cover hydraulic hose fittings and insert plugs in hydraulic ports.
- Hydraulic cylinders should be fully retracted when stored during the off season to prevent damage or corrosion. The remaining exposed shaft surface should be coated with a thick grease to prevent corrosion, which must be removed before returning to regular service.
- Check mounting bolts for wear and/or damaged threads and replace before next season.

GENERAL INFORMATION

- Location descriptions are noted in direction of travel. (i.e. front, rear, left and right.)
- Delivery of replacement parts is subject to our sales delivery terms.
- Use only **Monroe Truck Equipment** O.E.M. replacement parts. Failure to do so will void warranty.
- Replacement parts listed in this manual reflect our most common plow items. If you do not find the part you require, please call your distributor.
- **Monroe Truck Equipment** reserves the right to make revisions or alterations to this parts manual without notice.

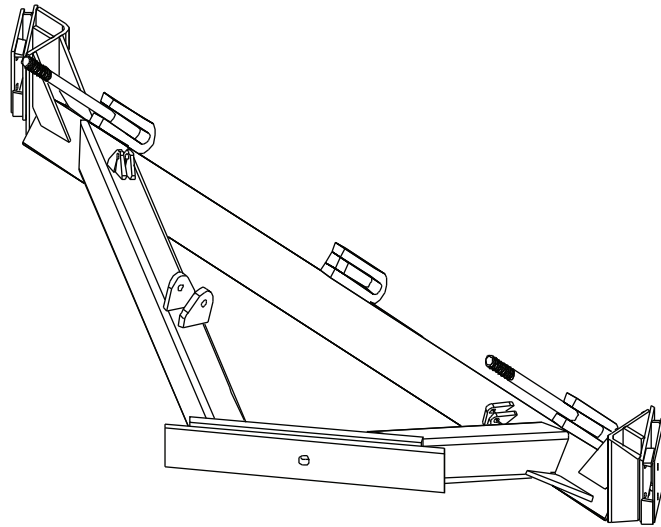
NOTES



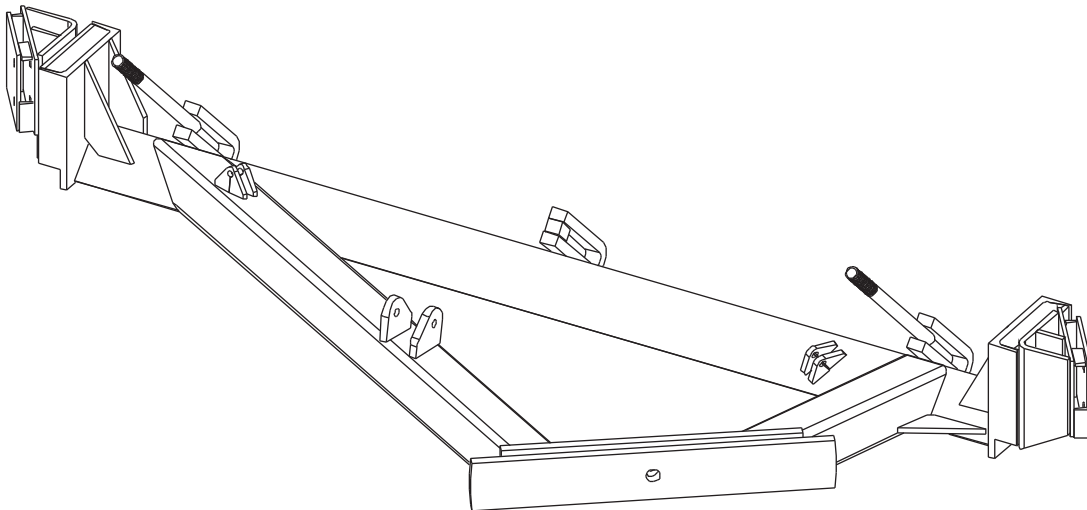
MOLDBOARD ASSEMBLIES

Item	Qty	Part Number	Description
1	1	00027055	MOLDBOARD WELDMENT, PLOW, MPHS26-54-11
		00026575	MOLDBOARD WELDMENT, PLOW, MPHS26-56-12
		00027075	MOLDBOARD WELDMENT, PLOW, MPHS35-64-11
		00027076	MOLDBOARD WELDMENT, PLOW, MPHS35-66-12
		00075012	MOLDBOARD WELDMENT, PLOW, MPHS45-72-11
		00039611	MOLDBOARD WELDMENT, PLOW, MPHS45-72-12
		00029792	MOLDBOARD WELDMENT, PLOW, MPHS23-69-12, 20 SERIES
		00026516	MOLDBOARD WELDMENT, PLOW, MPHS36-62-11, 30 SERIES
		00075575	MOLDBOARD WELDMENT, PLOW, MPHS31-72-11

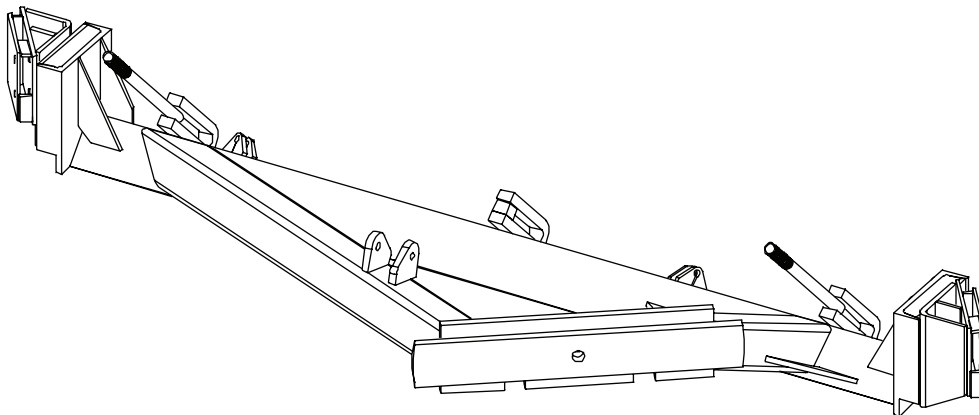
00024773 PUSHFRAME WELDMENT, HS, ST, 10'-12'

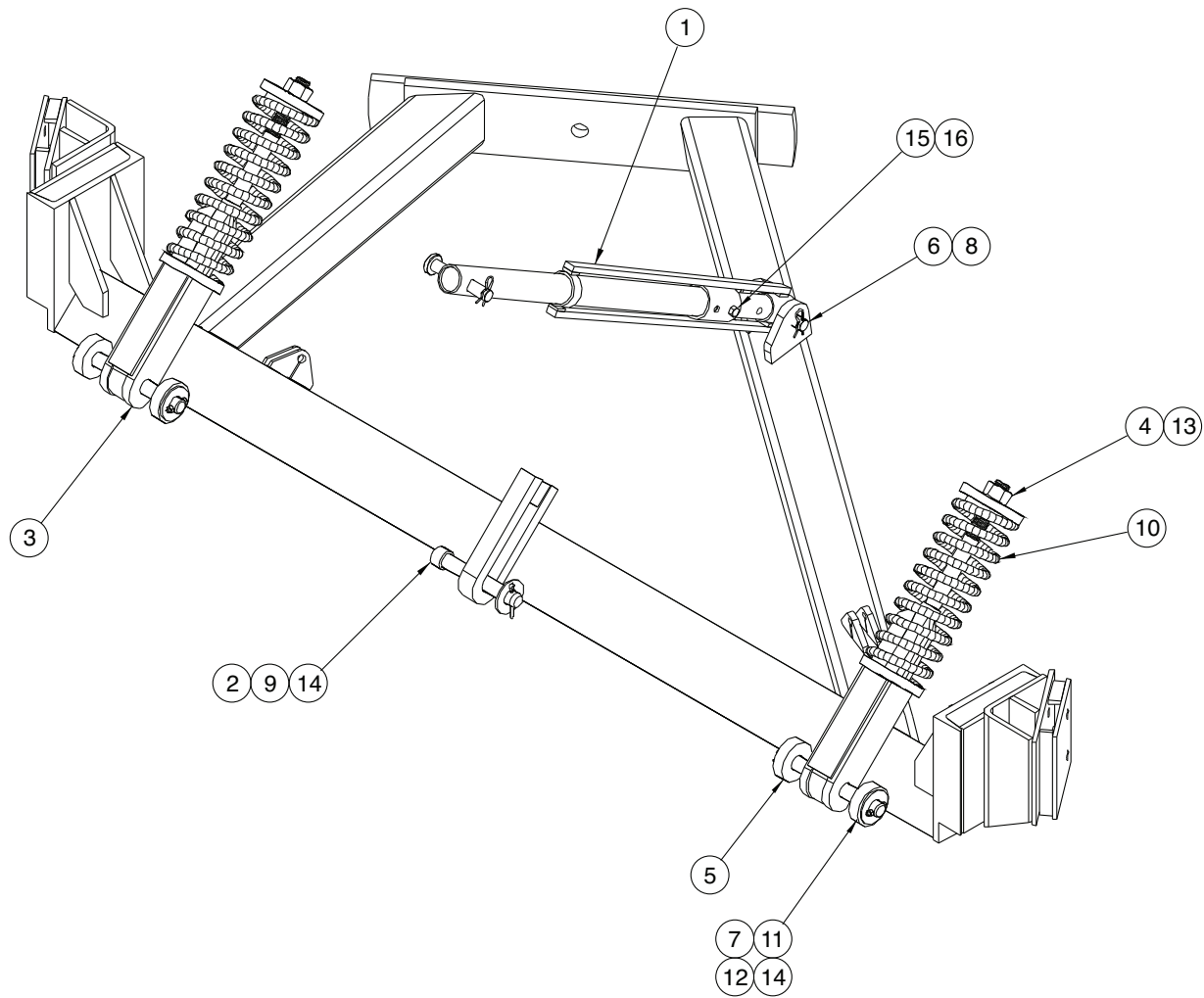


00024772 PUSHFRAME WELDMENT, HS, ST, 10'-12'



00031018 PUSHFRAME WELDMENT, HS, ST, 10'-12'





00057906 TRIP KIT, PLOW, MPHS-ST

Item	Qty	Part Number	Description
1	1	00029680	SUPPORT ARM WELDMENT MPHS
2	1	00024761	PIN WELDMENT OWHS-ST
3	2	00024797	SPRING BRACKET WELDMENT
4	2	11102834	SPRING ETAINER CAP
5	4	00084191	WHEEL, TRIP KIT, HS, ST
6	2	05022076	PIN, 1 X 6, BUTTON HEAD, ZINC
7	2	00084192	PIN, WHEEL, HS, ST
8	2	05022035	PIN, #11, HAIR ZINC
9	1	050220007	PIN, .250 X 2.5, COTTER
10	2	05035035	SPRING, ONE WAY SLOTTED TRIP
11	4	05010621	BOLT, .313-18 X 1.75, G8, HHCS, ZINC
12	4	05020909	NUT, .313-18, GC, TOP LOCK, C&W
13	2	05020835	NUT, 1.25-7, GC, TOP LOCK, C&W
14	5	05021316	WASHER, 1.25, FLAT, ZINC
15	1	05010699	BOLT, .5-13 X 3.5, G8, HHCS, ZINC
16	1	05020847	NUT, .5-13, GC, TOP LOCK, C&W

00061495 CUTTING EDGE KIT, 10', .625 X 8, CPCS

Item	Qty	Part Number	Description
1	1	05031015	CUTTING EDGE, .625 X 8 X 10', CPCS
2	12	05014551	BOLT, .625-11 X 2.5, G8, DH PLAIN
3	12	05021383	WASHER, .625, LOCK, HEAVY ZINC
4	12	05020270	NUT, .625-11, G8, HEX, ZINC

00057905 CUTTING EDGE KIT, 11', .625 X 8, CPCS

Item	Qty	Part Number	Description
1	1	05031016	CUTTING EDGE, .625 X 8 X 11', CPCS
2	13	05014551	BOLT, .625-11 X 2.5, G8, DH PLAIN
3	13	05021383	WASHER, .625, LOCK, HEAVY ZINC
4	13	05020270	NUT, .625-11, G8, HEX, ZINC

00035762 CUTTING EDGE KIT, 12', .625 X 8, CPCS

Item	Qty	Part Number	Description
1	1	05031017	CUTTING EDGE, .625 X 8 X 12', CPCS
2	14	05014551	BOLT, .625-11 X 2.5, G8, DH PLAIN
3	14	05021383	WASHER, .625, LOCK, HEAVY ZINC
4	14	05020270	NUT, .625-11, G8, HEX, ZINC

00050956 CUTTING EDGE KIT, 14', .625 X 8, CPCS

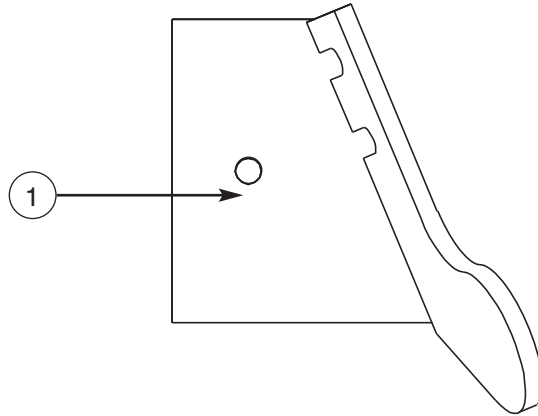
Item	Qty	Part Number	Description
1	2	05031103	CUTTING EDGE, .625 X 8 X 3', CPCS
2	2	05031104	CUTTING EDGE, .625 X 8 X 4', CPCS
3	22	05014551	BOLT, .625-11 X 2.5, G8, DH PLAIN
4	22	05021383	WASHER, .625, LOCK, HEAVY ZINC
5	22	05020270	NUT, .625-11, G8, HEX, ZINC

00055931 CUTTING EDGE KIT, 11', .75 X 6, CARBIDE, TPCS

Item	Qty	Part Number	Description
1	1	05031082	CUTTING EDGE, 3', .75 X 6, CARBIDE, TPCS
2	2	05031083	CUTTING EDGE, 4', .75 X 6, CARBIDE, TPCS
3	1	05031031	CUTTING EDGE, 11', .5 X 6, TPCS
4	17	05014553	BOLT, .625-11 X 3, G8, DH PLAIN
5	17	05021383	WASHER, .625, LOCK, HEAVY ZINC
6	17	05020270	NUT, .625-11, G8, HEX, ZINC

00055932 CUTTING EDGE KIT, 12', .75 X 6, CARBIDE, TPCS

Item	Qty	Part Number	Description
1	1	05031032	CUTTING EDGE, 11', .5 X 6, TPCS
2	3	05031083	CUTTING EDGE, 4', .75 X 6, CARBIDE, TPCS
3	17	05014553	BOLT, .625-11 X 3, G8, DH PLAIN
4	17	05021383	WASHER, .625, LOCK, HEAVY ZINC
5	17	05020270	NUT, .625-11, G8, HEX, ZINC
6	4	05014551	BOLT, .625-11 X 2.5, G8, DH PLAIN

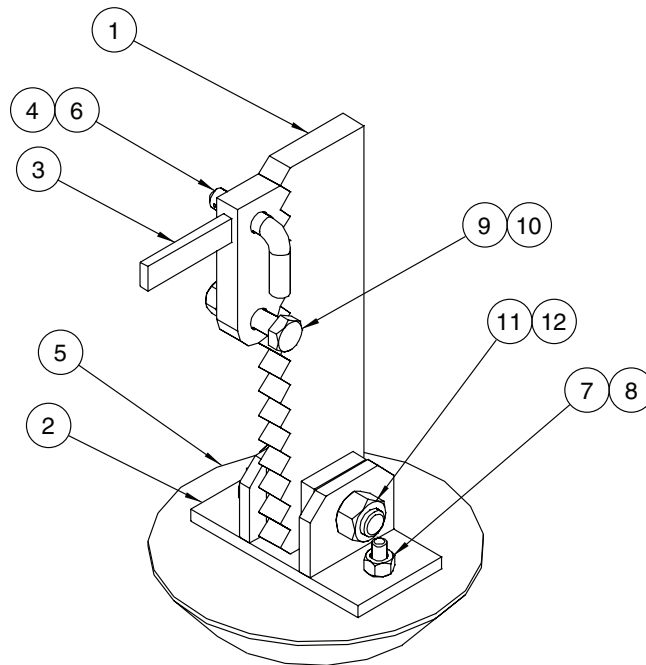


**00057919 NOSE GUARD KIT, PLOW, 8CPCS (FOR 20 & 30 SERIES)
00056145 NOSE GUARD KIT, PLOW**

Item	Qty	Part Number	Description
1	1	00027685 00027062	NOSE GUARD WELDMENT (FOR 20 & 30 SERIES PLOWS) NOSE GUARD WELDMENT, 37°
2	3	05014551	BOLT, .625-11 X 2.5, G8, DH PLAIN
3	3	05021383	WASHER, .625, LOCK, HEAVY ZINC
4	3	05020270	NUT, .625-11, G8, HEX, ZINC

00057907 SHOE KIT, SKID MPHS

Item	Qty	Part Number	Description
1	2	00024793	SHOE BRACKET WELDMENT
2	2	00028811	SKID SHOE WELDMENT
3	2	00024795	ADJUSTMENT BRACKET WELDMENT
4	2	00024756	PIN, JACK, PUSHFRAME, MPHS
5	2	05022002	PIN, #8, HAIR, ZINC
6	2	05010768	BOLT, .750-10 X 3, G8, HHCS, ZINC
7	2	05010819	BOLT, 1-8 X 4.5, G8, HHCS, ZINC
8	2	05020849	NUT, .750-10, GC, TOP LOCK, C&W
9	2	05020834	NUT, 1-8, GC, TOP LOCK, C&W

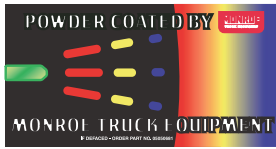


00057971 SHOE KIT, MUSHROOM, MPHS

Item	Qty	Part Number	Description
1	2	00024793	BRACKET WELDMENT, SHOE
2	2	00057970	BRACKET WELDMENT, SHOE, MUSHROOM
3	2	00024795	BRACKET WELDMENT, ADJUSTMENT, MPHS
4	2	00024756	PIN, JACK, SHOE
5	2	05051009	SHOE, MUSHROOM, TAPERED
6	2	05022002	PIN, #8, HAIR, ZINC
7	4	05010741	BOLT, .625-11 X 2.50, G8, HHCS, ZINC
8	4	05020837	NUT, .625-11, GC, TOP LOCK, C&W
9	4	05010768	BOLT, .750-10 X 3, G8, HHCS, ZINC
10	2	05020849	NUT, .750-10, GC, TOP LOCK, C&W
11	2	05010819	BOLT, 1-8 X 4.50, G8, HHCS, ZINC
12	2	05020834	NUT, 1-8, GC, TOP LOCK, C&W

00066270 CHAIN LIFT KIT, PLOW, MPHS-ST

Item	Qty	Part Number	Description
1	1	00027691	CHAIN, .5 X 60 LNG, PROOF COIL
2	1	00024780	CHAIN, .5 X 84, HIGH TEST
3	2	05010741	BOLT, .625-11 X 2.50, G8, HHCS, ZINC
4	2	05020837	NUT, .625-11, GC, TOP LOCK, C&W



WARNING

Possible serious injury and equipment damage from loosening of equipment fasteners. Fasteners on snow and ice removal equipment may loosen due to vibration and repetitive movements. Retighten all equipment mounting fasteners after the first 8 hours of use, then check tightness weekly after that. Use a torque wrench when specific torque values are given in the installation manual. If fasteners need to be replaced, be certain to use the correct size, grade and type to prevent failure.

WARNING
Springs under tension! If spring releases while performing maintenance, serious injury or death could result. Use caution when working in area.

IF DEFACED - ORDER PART NO. 05052547

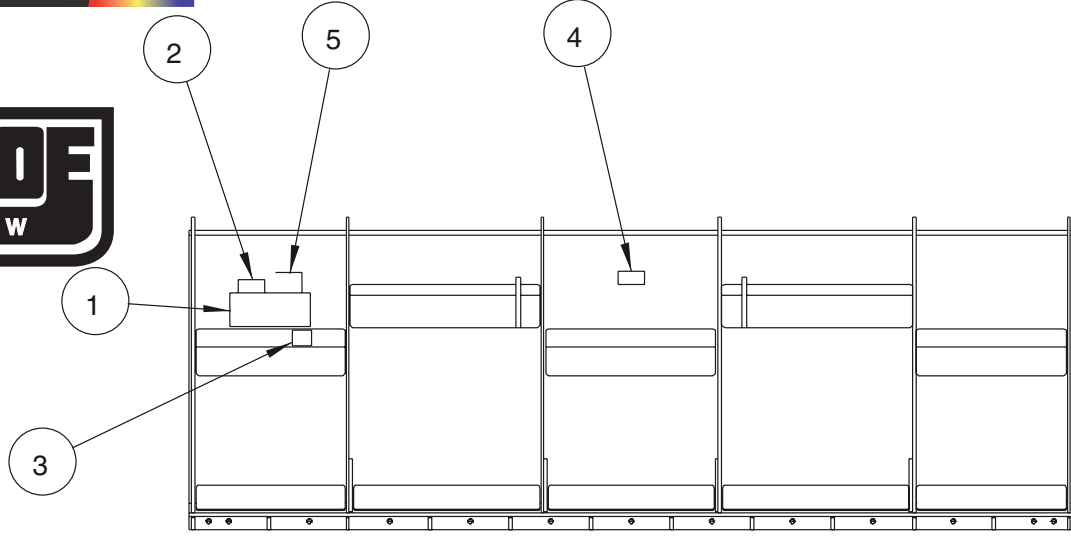


MONROE
SNOW & ICE CONTROL

QUALITY CHECK

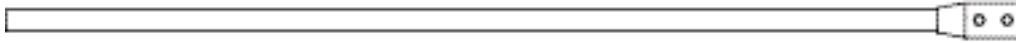
Inspected by:

1 0505231



00055962 DECAL KIT, PLOW			
Item	Qty.	Part Number	Description
1	1	05051507	DECAL,MONROE SNOWPLOW,12x5
2	1	05050681	DECAL,4" x2",BONDED POWDER
3	1	05052311	DECAL,4" X 3" QUALITY CHECK
4	1	05052547	DECAL,WARNING SPRINGS UNDER TENSION
5	1	05052628	DECAL,WARNING,TIGHTEN FASTENERS

PLOW OPTIONS



MARKERS, FLEXIBLE PLASTIC

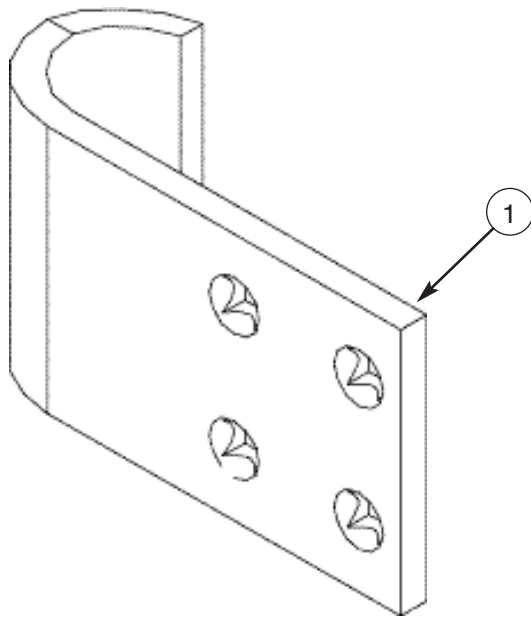
Item	Qty	Part Number	Description
1	2	05051432	MARKERS, 36" FLOURESCENT ORANGE FLEXIBLE MARKERS
2	1	05051181	MARKERS, CABLE, 42" L, STRAIGHT, YELLOW W/ RED DAY GLO TIP

00111163 SNOW WHEEL KIT, PLOW, MPHS-ST

Item	Qty	Part Number	Description
1	2	05050762	SNOW WHEEL, SWIVEL W/ ADJUSTER
2	12	05010740	BOLT, .625-11 X 2.25, G8, HHCS, ZINC
3	12	05020837	NUT, .625-11, GC, TOP LOCK, C&W
4	24	05021311	WASHER, .625, FLAT, ZINC

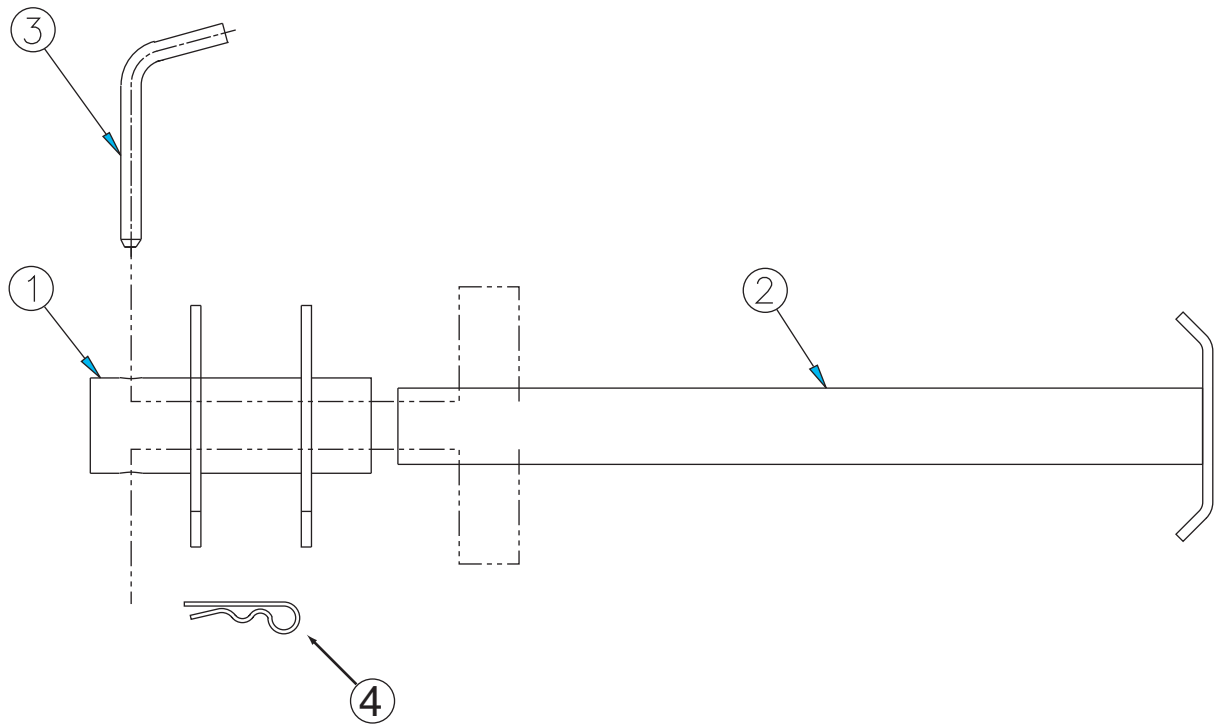
SHOE KIT, SKID, MOLBOARD

Item	Qty	Part Number	Description
1	2	05050221	SHOE, MOLDBOARD, CAST, 8", 10'
2	4	05014560	BOLT, .625" X 11 X 5, G8, DH, PLAIN
3	4	05021383	WASHER, .625, LOCK, HEAVY, ZINC
4	4	05020270	NUT, .625-11, G8, HEX, ZINC



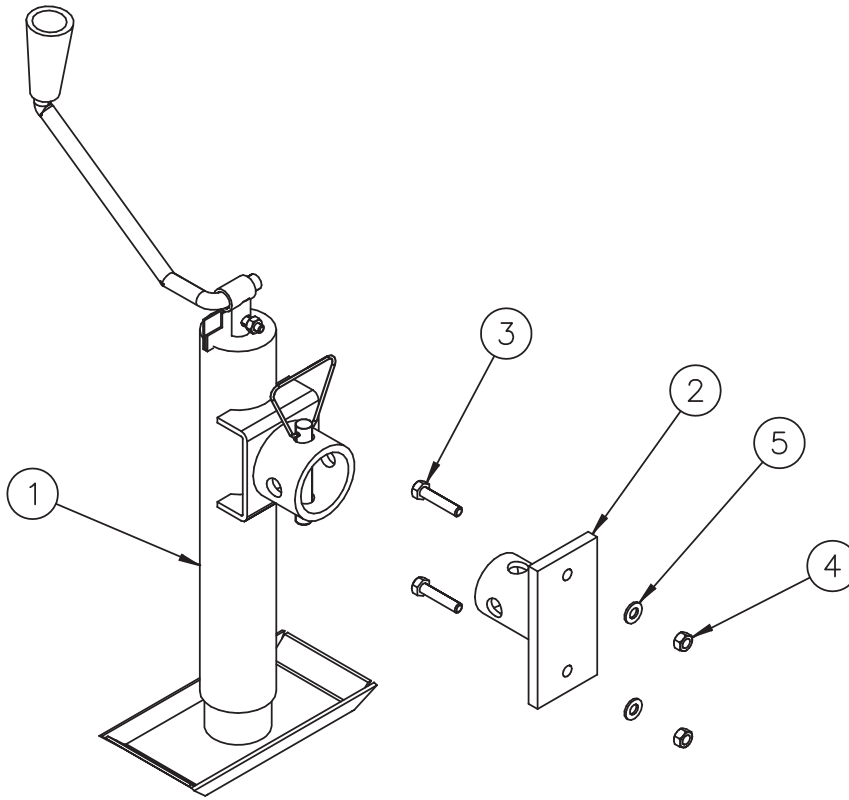
00039621 CURB GUARD KIT, WRAP-AROUND

Item	Qty	Part Number	Description
1	1	05050000	GUARD, CURB, .375 X 6
2	2	05014555	BOLT, .625-11 X 3.5, G8, DH PLAIN



00010264 JACK KIT, PARKING JACK, A-FRAME PARKING JACK

Item	Qty	Part Number	Description
1	1	00010265	TUBE JACK WELDMENT, OUTER, PARKING
2	1	00010267	INNER TUBE ASSEMBLY
3	1	05022136	PIN, .5 X 4.5, 4" GRIP BENT, ZINC
4	1	05022035	PIN, #11, HAIR, ZINC



10" TRAVEL
5000# CAP

00061212 JACK KIT, PARKING, TOP WIND, TUBE MOUNT, REMOVABLE

Item	Qty	Part Number	Description
1	1	05050227	JACK ASSEMBLY, TOP WIND, TUBE MOUNT
2	2	00084491	MOUNT WELDMENT, JACK, TOP WIND
3	4	05010620	BOLT, .313-18 X 1.50, G8, HHCS, ZINC
4	4	05020909	NUT, .313-18, GC, TOP LOCK, C&W
5	4	05021306	WASHER, .313, FLAT, ZINC

HOW TO ORDER PARTS

To order or inquire about replacement parts, please contact the **distributor** or **store** that the product was purchased through. To speed the information flow, please have the following information ready:

- Model Number
- Serial Number
- Part Number and/or description as per the parts manual
- Quantity needed

For further information about **Monroe Truck Equipment** replacement parts, please call 800-880-0109 and ask for **Snow & Ice Parts Sales**.

RETURN POLICY

Merchandise returned to **Monroe Truck Equipment** must have a Warranty Service Request (WSR) form filled out completely and signed by authorized personnel. To get your WSR form, call 800-880-0109. For whole goods ask for **Snow & Ice Sales**. For replacement parts, ask for **Snow & Ice Parts Sales**. All returned items are subject to a 15% restocking fee and must be sent freight prepaid!

MONROE TRUCK EQUIPMENT, INC. WARRANTY SNOW & ICE CONTROL PRODUCTS

Monroe Truck Equipment, Inc. warrants to the original purchaser, that if any part of the product proves to be defective in workmanship or material within **ONE YEAR** of the original installation, and is returned to us within 30 days of the discovered defect, we will (at our option) repair or replace the defective part. This warranty does not apply to damage resulting from misuse, neglect, accident, improper installation, normal wear items or lack of maintenance. This warranty is exclusive and supersedes all other warranties, whether expressed or implied. **Monroe Truck Equipment, Inc.** neither assumes, nor authorizes anyone to assume for it, any other obligation or liability in connection with this warranty and will not be liable for consequential damages.

All engines, pumps, motors, cylinders and valves are warranted by their manufacturer and not by **Monroe Truck Equipment, Inc.**. The manufacturer's warranty will apply to these parts. Electrical and hydraulic components are not to be disassembled without the express written permission of Monroe Truck Equipment. Use of replacement parts other than original equipment voids this warranty.

All defective parts returned must be accompanied by the model number, serial number, date installed, date of defect, description of defect, and the name of the distributor from whom it was purchased. All warranty claims must have prior written approval from **Monroe Truck Equipment, Inc.**

Please return the warranty registration card that accompanies this manual to confirm receipt of this parts catalog and acknowledge the information contained within. Failure to return the attached card may result in a voided warranty.



**1051 West 7th Street
 Monroe, WI 53566
 608-328-8127 ~ Fax: 608-328-4278**

**Warranty Policy
 Uninstalled Parts and Equipment Provided by Monroe Truck Equipment**

Monroe Truck Equipment will provide the following limited warranty for a period of one year to the original purchaser of all uninstalled goods provided by Monroe Truck Equipment:

LIMITED WARRANTY: All goods provided by Monroe Truck Equipment (MTE) will be free from defects in material and workmanship for a period of one year from the date of purchase by the original purchaser. This limited warranty shall be the sole and exclusive remedy for any such product found to be defective. This limited warranty supercedes all previous warranties and is exclusive and in lieu of all other warranties, whether expressed or implied.

This limited warranty applies only to parts or accessories manufactured by MTE and/or provided by same. Except with respect to title, this limited warranty does not pertain to parts or accessories not manufactured and/or provided by MTE, regardless of whether such parts or accessories were selected and/or recommended by MTE. MTE will, as a service to the buyer, pass on any warranties received from the original manufacturer of MTE provided parts and/or accessories.

MTE will not under any circumstances be liable for any incidental or consequential damages whether in tort, contract, or otherwise, for any bodily injury, death, property damage, loss of use, or loss of income resulting from or in any way arising out of any goods provided by MTE, or their sale, use, or manufacture.

Any warranty claim deemed to be arising from the result of misuse, abuse, neglect, accident, improper installation, lack of maintenance, act of war (whether declared or otherwise), or act of God will be denied. Any repair or modification by the buyer or any third party, without the prior written consent of MTE, will void any possible warranty compensation. Any damage deemed to be the result of abnormal operation will not be compensated by this warranty.

Normal or special maintenance items such as fuels, fluids, tires, belts, hoses, filters, air cleaners, light bulbs, and any other items subject to normal wear and tear that are supplied in connection with goods provided by MTE are not allowed under this warranty.

All engines, pumps, cylinders, valves, and motors are warranted by their manufacturer and not by Monroe Truck Equipment. The manufacturer's warranty will apply to these parts. Electrical and hydraulic components are not to be disassembled without the express written consent of MTE. Any disassembly of MTE provided components without prior authorization will void the applicable warranty.

Monroe Truck Equipment shall be the sole and final determining authority as it applies to the administration of this warranty policy. Purchaser acknowledges receipt of Monroe Truck Equipment Warranty Policy and agrees to be bound by same.



GLOBAL SOLUTIONS
 ARMORED VEHICLES ~ SPORT TRUCK CONVERSIONS
 MUNICIPAL SNOW & ICE CONTROL ~ FIRE APPARATUS
 PICKUP TRUCK ACCESSORIES ~ TRUCK EQUIPMENT/MODIFICATIONS



**1051 West 7th Street
Monroe, WI 53566
608-328-8127 ~ Fax: 608-328-4278**

Any and all warranty claims must be forwarded to MTE within 10 days of defect discovery. A copy of the original Monroe Truck Equipment invoice as well as the manufacturer's model number, serial number, and date of installation must accompany all correspondence regarding said claims. MTE will, at their option, choose whether to repair or replace the defective part unless otherwise specified by the original manufacturer of said part.

Procedures for Warranty Claims Notification

For submission of any warranty claim please contact Monroe Truck Equipment – Warranty Department at 800-356-8134

The following documentation will be needed when you call for initial warranty authorization:

1. A copy of the original MTE invoice.
2. Make, Model, and VIN or Serial Number of the equipment involved.
3. Part number and serial number of the part in question.
4. A complete description of the problem.

The following must accompany any claim submitted to Monroe Truck Equipment:

1. Documented photographs of any physical damage.
2. Inspection notes by MTE personnel or MTE authorized 3rd party.
3. Authorization number issued by Monroe Truck Equipment – Warranty Department.

Defective parts must be returned to Monroe Truck Equipment (freight prepaid) within 30 days of issuance of Authorization Number.

Monroe Truck Equipment reserves the right to void any warranty for failure to comply with Monroe Truck Equipment Warranty Policy.

This policy is effective October 11, 2012

