



PREWETTING SYSTEM CLOSED LOOP ELECTRIC

Service and Parts Manual



MONROE TRUCK EQUIPMENT
1051 W. 7th Street
Monroe, WI 53566
Phone: 608-328-8127
Fax: 608-329-8488

*05051881
11/20/2005*

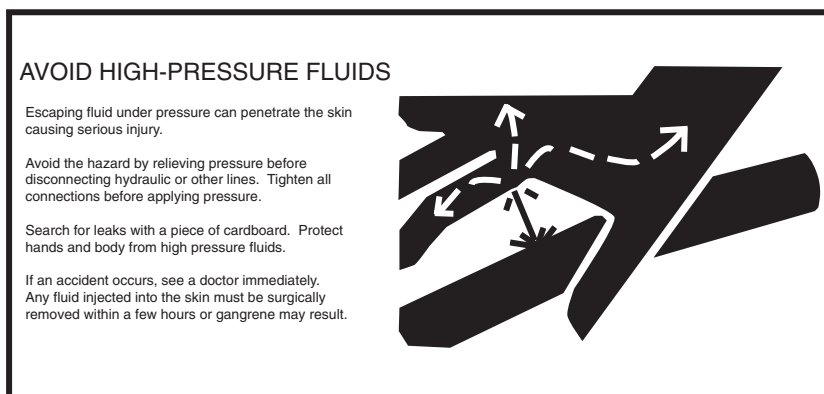


TABLE OF CONTENTS

Safety Instructions	2
Maintenance Instructions	3
Pump Enclosure and Nozzle Mounting Installation and Instructions	4
General Information and Torque Chart	5
Replacement Parts	6-35
How to Order Parts	36
Return Policy	36
Warranty Registration	37-38

SAFETY INSTRUCTIONS

- Read all installation, safety and maintenance instructions completely before operating this equipment
- Keep all personnel clear of moving parts while equipment is being operated.
- Do not operate equipment in need of maintenance! Repair immediately!
- While operating this equipment, use common sense, use caution, be alert and be safety-conscious.



WARNING:

Some anti-icing/de-icing/pre-wetting chemicals and/or their vapors are **NOT** compatible with 304 stainless steel and can cause damage to 304 stainless steel tanks and tank welds. Storing those types of chemicals in 304SS tanks is not recommended and may void the tank's warranty. Monroe Snow & Ice Control assumes no responsibility for damage to 304SS tanks caused by incompatible chemicals being used for anti-icing/de-icing/pre-wetting applications. Monroe Snow & Ice Control recommends that you contact your chemical supplier to check your anti-icing/de-icing/pre-wetting chemical's compatibility with 304SS prior to loading into tanks.

GENERAL MAINTENANCE INSTRUCTIONS - PREWET

In Season:

- During periods of non-use it is recommended that the system be flushed of deicing chemicals.

Example: CARGILL recommends the vehicle be steam-cleaned after each use and that the liquid system be flushed with hot water. After flushing, it is extremely important to rid the system of all water. If this is not done, the water will freeze and damage or destroy your components.

Other chemical companies may not want water used. Water used for flushing could turn the chemical into a jelly-like substance. Check with your chemical supplier for proper flush liquids.

- Inspect hoses and plumbing for leaks. Repair or replace as needed.
- Check and clean in-line strainer filter on a regular basis. (Remove bowl and screen and flush thoroughly, don't just drain).
- Inspect the nozzles for residue caking of liquid material and clean them.
- Reapply dielectric grease periodically to pins and receivers of all wiring and harness connectors to prevent corrosion of these terminals.

Off Season Storage:

Getting the liquid system ready for summer storage will save you a great deal of time and money when fall comes for remounting.

- Fully flush the complete system including tanks. (Recommend an RV anti-freeze solution or equivalent). This will prevent high concentrations from forming and help rid system of any residue build up.
- Inspect hoses and plumbing for leaks. Repair or replace as needed.
- Drain and clean strainer.
- Disassemble and clean spray nozzles. Check for debris and renew worn components. (Make sure to reposition nozzle tips for maximum granular coverage).
- Dismount in-line poly check-valve. Flush and clean of any build up and/or debris.

Note: Make sure to re-install properly, matching arrow to direction of flow.

- Reapply dielectric grease periodically to pins and receivers of all wiring and harness connectors, to prevent corrosion of these terminals.

Pump Enclosure and Nozzle Mounting Instructions

Closed Loop Electric System

1. Fasten the pump enclosure to the unit or use optional pump enclosure mounting bracket. (Refer to optional accessories [page 26-35](#) for parts breakdown)




NOTE: (Mount enclosure in an accessible area for ease of service.)

2. Pre-assemble the spray nozzles as shown on [page 16-18](#).
3. Install nozzle assemblies on spinner chute or other desired location.
4. Install ½" hose between pressure side of pump to poly check valve and nozzle assembly using fittings and hose clamps provided.
(Ref. [Items 12,13,14 on page 16-18](#))
5. Install a 1¼" to ¾" reducing nipple into the tank. (Ref. Item 1, [page 16-18](#))
6. Install a ¾" ball valve onto the reducing nipple. (Ref. Item 2, [page 16-18](#))
7. Install a ¾" short nipple into suction strainer and into ball valve. The arrow on the strainer should be pointing in the direction of flow. (Ref. Items 3, 4, [page 16-18](#))
8. Install a 90° hose barb, ¾" MNPT x ¾" Male Barb, into the other end of the suction strainer. **NOTE:** (Optional fittings may be needed to fit application.)
(Ref. Items 5, 19, 24, [page 16-18](#))
9. Install ½" EPDM, 150 PSI hose onto hose barb, located next to strainer, and route to suction side of pump enclosure using clamps provided.
(Ref. Items 12,14 [page 16-18](#))
10. Wire unit per controller manufacturers recommendations.

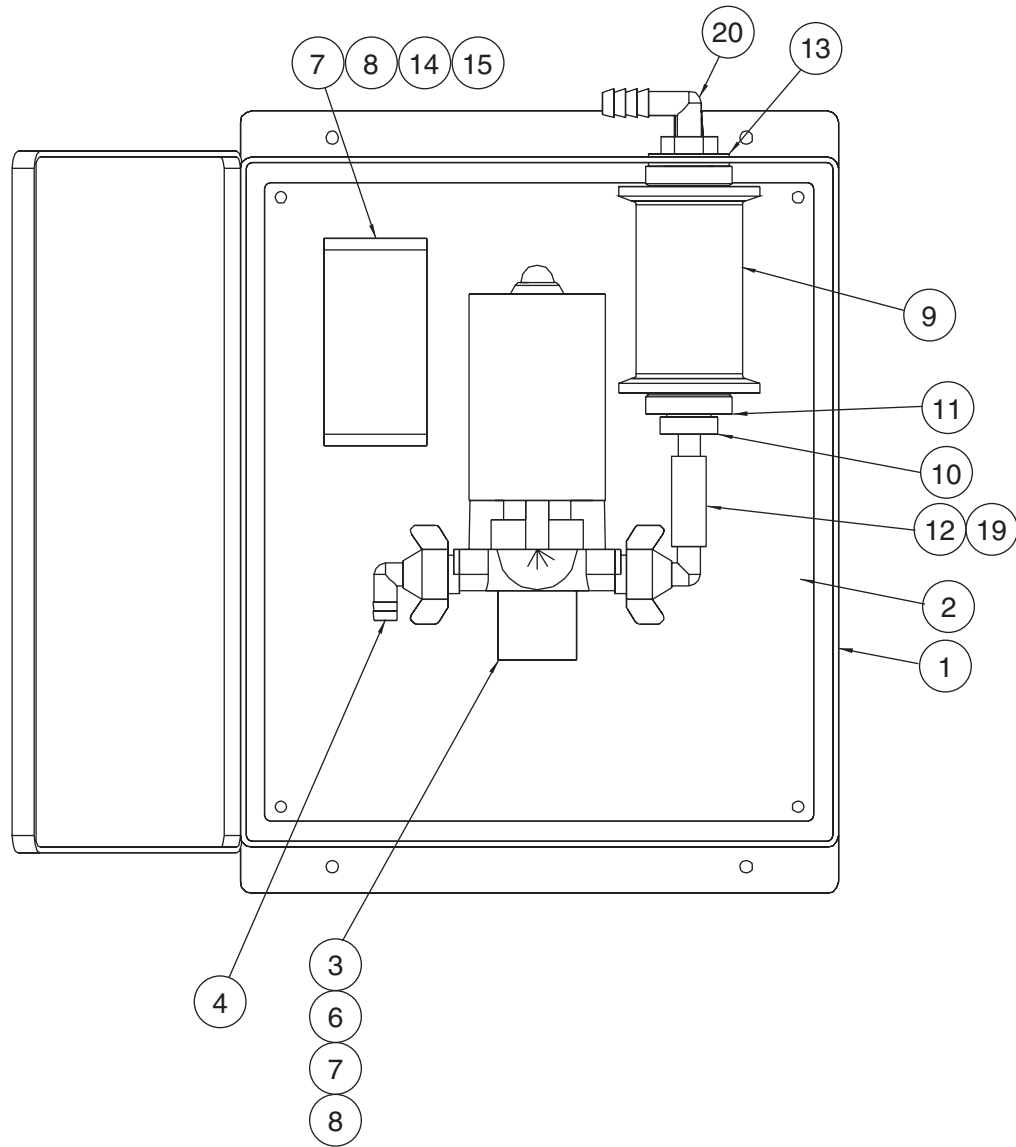
GENERAL INFORMATION

- Location descriptions are noted in direction of travel. (i.e. front, rear, left and right.)
- Delivery of replacement parts is subject to our sales delivery terms.
- Use only **Monroe Truck Equipment** O.E.M. replacement parts. Failure to do so will void warranty.
- Replacement parts listed in this manual reflect our most common items. If you do not find the part you require, please call your distributor.
- **Monroe Truck Equipment** reserves the right to make revisions or alterations to this parts manual.

TORQUE CHART

SIZE	 GRADE 2	 GRADE 5	 GRADE 8
1/4-20	50 IN-LBS	75 IN-LBS	9 FT-LBS
3/8-16	15 FT-LBS	23 FT-LBS	35 FT-LBS
1/2-13	35 FT-LBS	55 FT-LBS	80 FT-LBS
5/8-11	75 FT-LBS	110 FT-LBS	170 FT-LBS
3/4-10	130 FT-LBS	200 FT-LBS	280 FT-LBS
1-8	190 FT-LBS	480 FT-LBS	680 FT-LBS
1 1/4-7	380 FT-LBS	840 FT-LBS	1360 FT-LBS

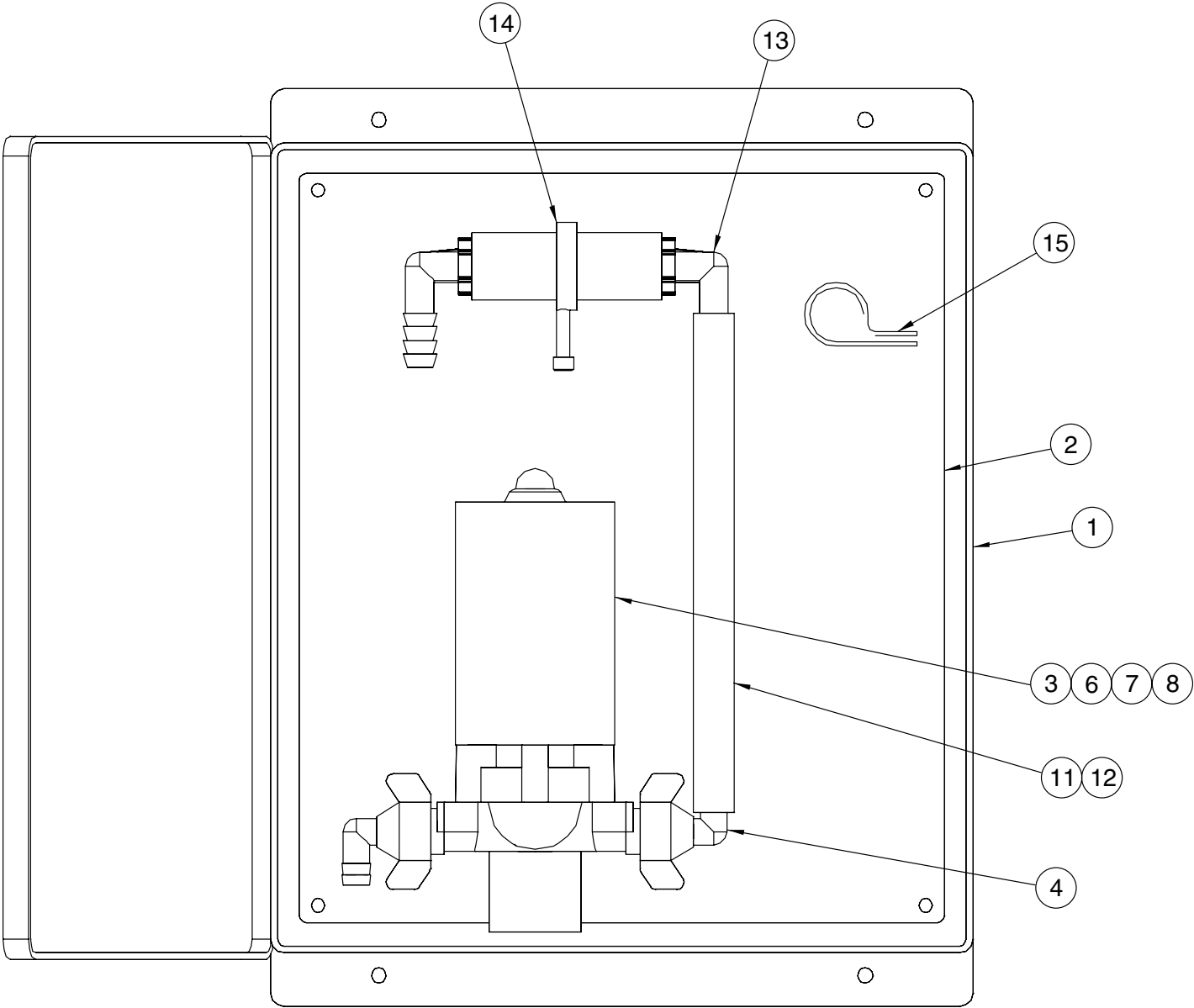
00017169 PLUMBING KIT, ELECTRIC, 3GPM RAVEN FLOW METER



00017169 PLUMBING KIT, ELECTRIC, 3GPM, RAVEN FLOW METER

Item	Qty.	Part Number	Description
1	1	05041187	JUNCTION BOX, 12 X 10 X 5, NEMA
2	1	05041188	PLATE, JUNCTION BOX, 12 X 10
3	1	05008007	PUMP, SHURFLO 12VDC, 3GPM FLOW <i>See page 25</i>
4	2	05037299	ELBOW, 90 DEG SPECIAL
5	1	05051625	DECAL, MONROE SNOW & ICE CONTROL
6	4	05016968	SCREW, #10-24 X 1.5 HEX HEAD, 18-8
7	8	05021413	WASHER, #10, FLAT, 18-8 SS
8	8	05020964	NUT, #10-24, NYLON LOCK, 316 SST
9	1	05040378	METER, FLOW, 15GPM, 2 FLANGE 1.5 FNPT <i>See page 22</i>
10	1	05037354	HOSE BARB, .5 X .75 MNPT, POLY, STRAIGHT
11	2	05037596	BUSHING, 1.5 MNPT X .75 FNPT, POLY
12	2	05037281	CLAMP, HOSE, .750 SST
13	2	05021432	WASHER, 1.125" ID X 1.75" OD
14	4	05016956	SCREW, #1-24 X 1, HEAD, HEAD, 18-8
15	1	05040194	AMPLIFIER, VOLTAGE RAVEN
16	4	05020983	NUT, #4-40, NYLON LOCK, 18-8 SST
17	4	05016966	SCREW, #4-40 X .5 PH ROUND HEAD
19	1	05037307	HOSE, .5 BLACK EPDM, 150PSI
20	.15 FT	05037303	HOSE BARB, .5 X .75 MNPT, POLY, 90 DEG

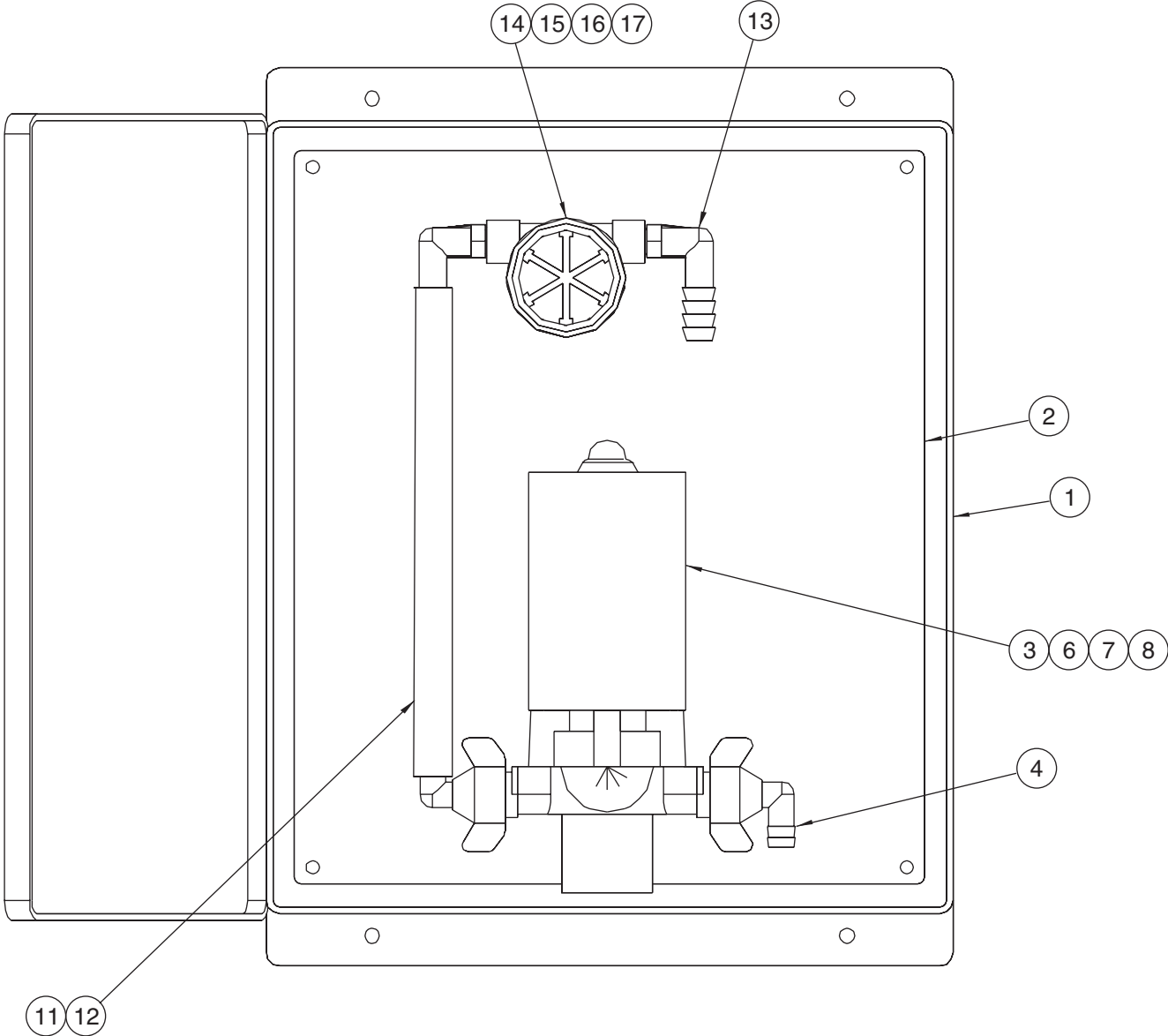
**00017170 PLUMBING KIT, ELECTRIC, 3GPM
GRESSEN/FORCE AMERICA METER**



00017170 PLUMBING KIT, ELECTRIC, 3GPM GRESSEN/FORCE AMERICA FM

Item	Qty.	Part Number	Description
1	1	05041187	JUNCTION BOX, 12 X 10 X 5, NEMA
2	1	05041188	PLATE, JUNCTION BOX, 12 X 10
3	1	05008007	PUMP, SHURFLO 12VDC, 3GPM FLOW <i>See page 25</i>
4	2	05037299	ELBOW, 90 DEG SPECIAL
5	1	05051625	DECAL, MONROE SNOW & ICE CONTROL
6	4	05016968	SCREW, #10-24 X 1.5 HEX HEAD, 18-8
7	4	05021413	WASHER, #10, FLAT, 18-8 SS
8	4	05020964	NUT, #10-24, NYLON LOCK, 316 SST
9	1	05041147	FITTING, .5 COMPRESSION PLASTIC
10	1	05041149	NUT, .5 W/ SEAL
11	.75	05037307	HOSE, .5 BLACK EPDM 150PSI
12	2	05037281	CLAMP, HOSE, .750 SST
13	1	05037305	FITTING, BARB, .5 X .5" MNPT, POLY, 90°
14	1	05040429	METER, FLOW, .5 FNPT, 0-5GPM <i>See page 24</i>
15	1	05037302	FITTING, BARB, .5 X .5" MNPT, POLY, STRAIGHT
16	1	05016040	BOLT, .250-20 X 1, HHCS, SST
17	2	05020906	NUT, .250-20, NYLON LOCK, 316 SST
18	1	05051881	MANUAL, CLOSED LOOP ELECTRIC
19	2	05021402	WASHER, .85 ID X 1.73 OD X .078 THK, SS, NOZZLE

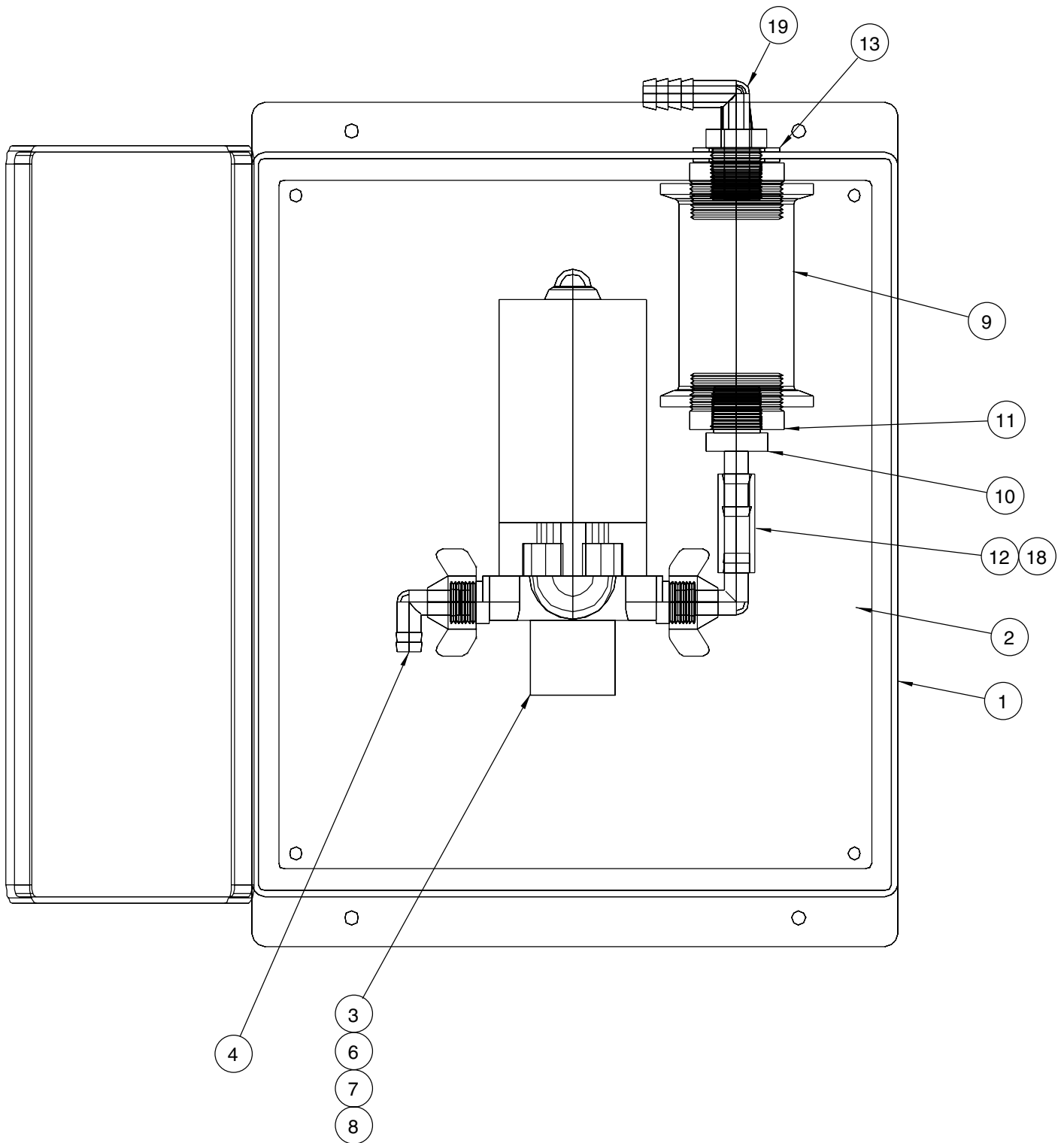
**00017171 PLUMBING KIT, ELECTRIC, 3GPM
DICKY JOHN FLOW METER**



00017171 PLUMBING KIT, ELECTRIC, PREWET, 3GPM, DICKEY JOHN FM

Item	Qty.	Part Number	Description
1	1	05041187	JUNCTION BOX, 12 X 10 X 5, NEMA
2	1	05041188	PLATE, JUNCTION BOX, 12 X 10
3	1	05008007	PUMP, SHURFLO 12VDC, 3GPM FLOW <i>See page 25</i>
4	2	05037299	ELBOW, 90 DEG SPECIAL
5	1	05051625	DECAL, MONROE SNOW & ICE CONTROL
6	4	05016968	SCREW, #10-24 X 1.5 HEX HEAD, 18-8
7	4	05021413	WASHER, #10, FLAT, 18-8 SS
8	4	05020964	NUT, #10-24, NYLON LOCK, 316 SST
9	1	05041147	FITTING, .5 COMPRESSION PLASTIC
10	1	05041149	NUT, .5 W/ SEAL
11	.75	05037307	HOSE, .5 BLACK EPDM 150PSI
12	2	05037281	CLAMP, HOSE, .750 SST
13	2	05037730	HOSE BARB, .5 X 2.5 MNPT, POLY
14	1	05040234	METER, FLOW, .250 NPT <i>See page 23</i>
15	1	05050418	CLAMP, 2 ID CUSHIONED SST
16	1	05016040	BOLT, .250-20 X 1, HHCS, SST
17	2	05020906	NUT, .250-20, NYLON LOCK, 316 SST
18	1	05051881	MANUAL, CLOSED LOOP ELECTRIC

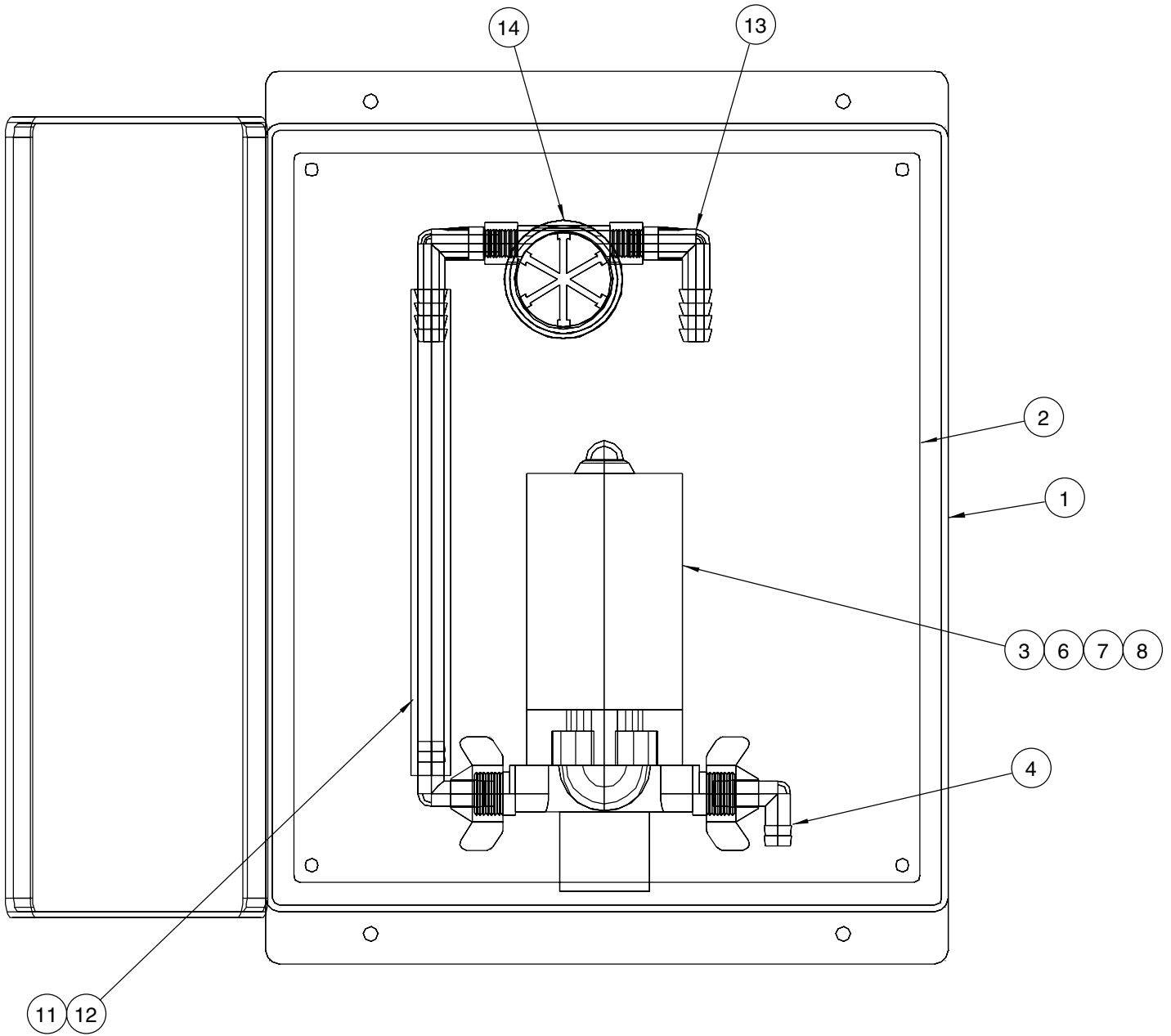
**00092129 PLUMBING KIT, ELECTRIC, PREWET, 3GPM, RAVEN FLOW METER
SPREAD SMART CONTROL**



**00092129 PLUMBING KIT, ELECTRIC, 3GPM RAVEN FM
SPREAD SMART CONTROL**

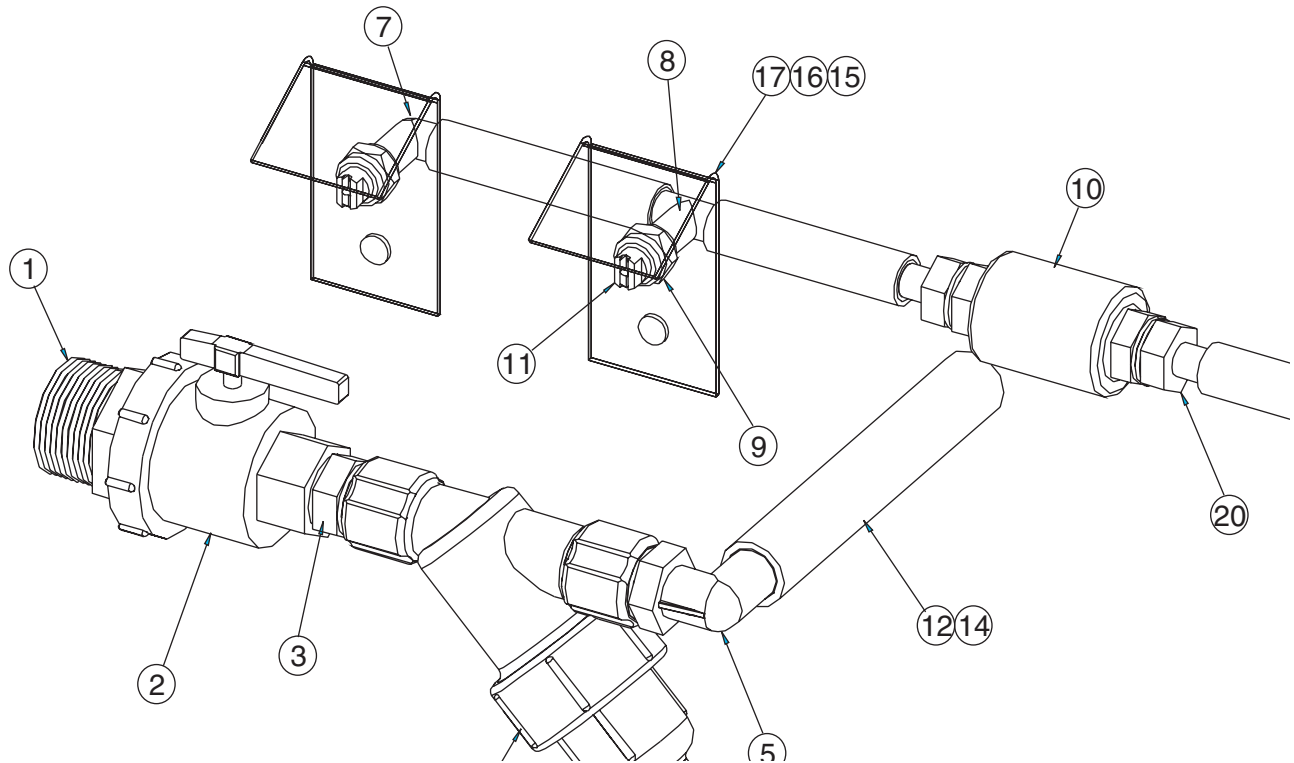
Item	Qty.	Part Number	Description
1	1	05041187	JUNCTION BOX, 12 X 10 X 5, NEMA
2	1	05041188	PLATE, JUNCTION BOX, 12 X 10
3	1	05008007	PUMP, SHURFLO 12VDC, 3GPM FLOW <i>See page 25</i>
4	2	05037299	ELBOW, 90 DEG SPECIAL
5	1	05051625	DECAL, MONROE SNOW & ICE CONTROL
6	4	05016968	SCREW, #10-24 X 1.5 HEX HEAD, 18-8
7	8	05021413	WASHER, #10, FLAT, 18-8 SS
8	8	05020964	NUT, #10-24, NYLON LOCK, 316 SST
9	1	05040378	METER, FLOW, 15GPM, 2 FLANGE 1.5 FNPT <i>See page 22</i>
10	1	05037354	HOSE BARB, .5 X .75 MNPT, POLY, STRAIGHT
11	2	05037596	BUSHING, 1.5 MNPT X .75 FNPT, POLY
12	2	05037281	CLAMP, HOSE, .750 SST
13	2	05021432	WASHER, 1.125" ID X 1.75" OD
14	4	05016956	SCREW, #1-24 X 1, HEAD, HEAD, 18-8
15	4	05020983	NUT, #4-40, NYLON LOCK, 18-8 SST
16	4	05016966	SCREW, #4-40 X .5 PH ROUND HEAD
17	1	05051881	MANUAL, CLOSED LOOP ELECTRIC
18	1	05037307	HOSE, .5 BLACK EPDM, 150PSI
19	.15 FT	05037303	HOSE BARB, .5 X .75 MNPT, POLY, 90 DEG
20	1	00045945	BULKHEAD, 9 POLE, RAVEN FLOW METER

00098192 PLUMBING KIT, ELECTRIC, PREWET, 3GPM MTE CNT, FM



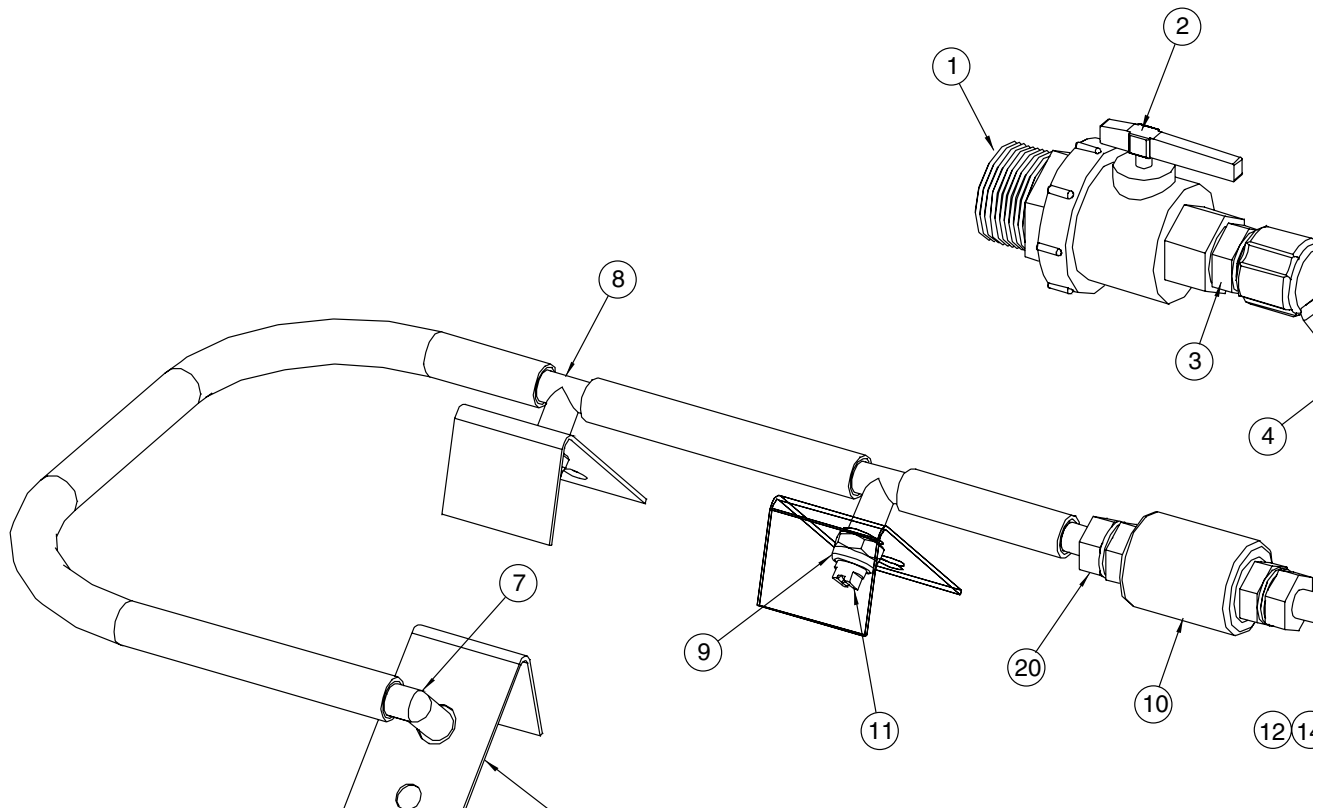
00098192 PLUMBING KIT, ELECTRIC, PREWET, 3GPM MTE CNT, FM

Item	Qty.	Part Number	Description
1	1	05041187	JUNCTION BOX, 12 X 10 X 5, NEMA
2	1	05041188	PLATE, JUNCTION BOX, 12 X 10
3	1	05008007	PUMP, SHURFLO 12VDC, 3GPM FLOW <i>See page 25</i>
4	2	05037299	ELBOW, 90 DEG SPECIAL
5	1	05051625	DECAL, MONROE SNOW & ICE CONTROL
6	4	05016968	SCREW, #10-24 X 1.5 HEX HEAD, 18-8
7	4	05021413	WASHER, #10, FLAT, 18-8 SS
8	4	05020964	NUT, #10-24, NYLON LOCK, 316 SST
9	1	05041491	FITTING, .5 COMPRESSION
10	1	05041120	NUT, JAM PLASTIC
11	.75	05037307	HOSE, .5 BLACK EPDM 150PSI
12	2	05037281	CLAMP, HOSE, .750 SST
13	2	05037730	HOSE BARB, .5 X 2.5 MNPT, POLY
14	1	05040422	METER, FLOW, .250" FNPT, .0-5GPM, GEMS
15	1	05050418	CLAMP, 2 ID CUSHIONED SST
16	1	05016040	BOLT, .250-20 X 1, HHCS, SST
17	2	05020906	NUT, .250-20, NYLON LOCK, 316 SST
18	1	05051881	MANUAL, CLOSED LOOP ELECTRIC



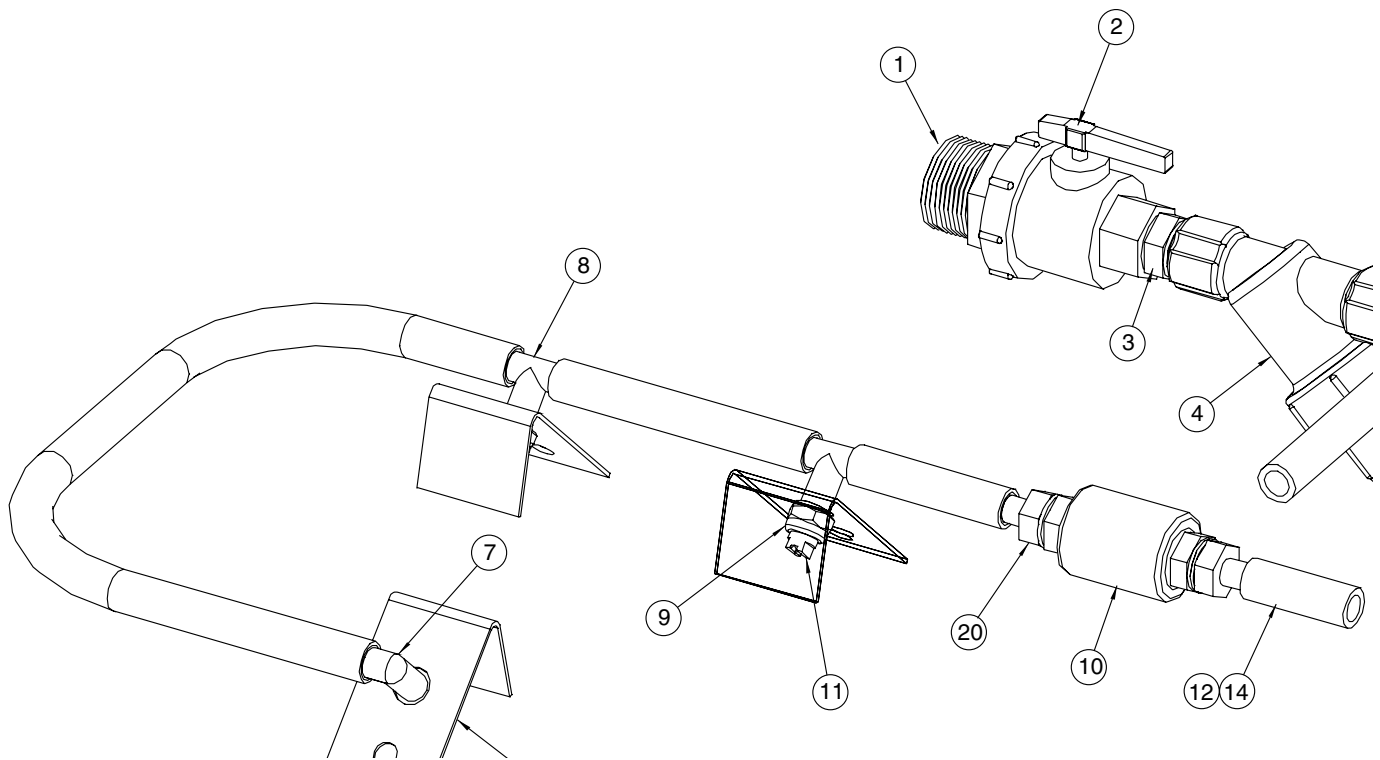
00065206 NOZZLE KIT, ELECTRIC, 2GPM, 2 NOZZLE

Item	Qty.	Part Number	Description
1	1	05037311	NIPPLE, REDUCING, 1.25" MNPT C .375 MALE NPT, POLY
2	1	05037315	VALVE, BALL UNION TYPE, .75" FNPT C .75 FNPT, POLY
3	1	05037355	NIPPLE, .75 NPT, SHORT, POLY
4	1	05037309	STRAINER, Y-TYPE, .75 FNPT, 20 MESH SCREEN, POLY <i>See page 21</i>
5	1	05037303	HOSE BARB, 90 DEG, .75 MNPT X .5 MALE BARB, POLY
6	1	05037464	SEALANT THREAD W/ TEFLON
7	1	05038197	NOZZLE BODY, HOSE SHANK, .5 HOSE BARB, 90 DEG POLY
8	1	05038196	NOZZLE BODY, HOSE SHANK, T, .5 HOSE BARB, POLY
9	2	05038179	NOZZLE CAP, TYPE TT, NOZZLE BODY, BRASS
10	1	05050202	VALVE, NOZZLE CHECK, 10 PSI, POLY
11	2	05038198	NOZZLE TIP, 2GPM@40PSI, BRASS
12	20 FT	05037307	HOSE, .5 BLACK EPDM 150PSI
13	1	05050271	CLAMP, CUSHIONED METAL, .75
14	8	05037281	CLAMP, HOSE, .75 SST
15	5	05016040	BOLT, .25-20 X 1, HHCS, SST
16	5	05020904	NUT, .75-20, SPINLOCK, SST
17	2	00050939	SHIELD, NOZZLE, 304 SST
18	1	05037585	ELBOW, .75 NPT, POLY, STREET, 90 DEG
19	1	05037354	HOSE BARB, POLY, .75 MNPT X .5 BARB
20	2	05037302	HOSE BARB, .5 X .5 MNPT, POLY, STRAIGHT



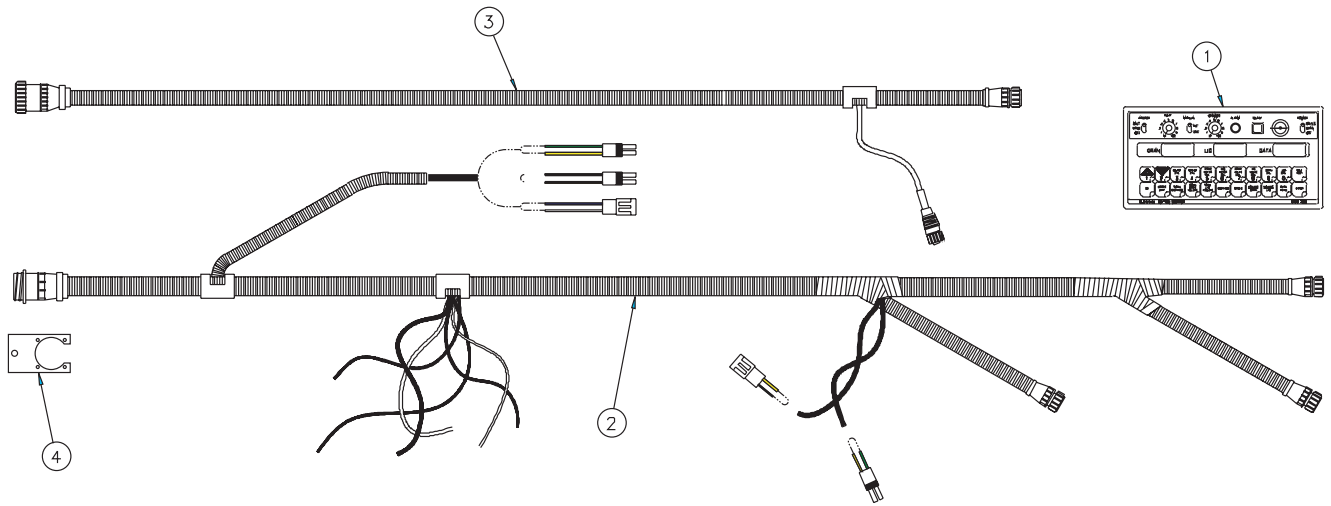
00065207 NOZZLE KIT, ELECTRIC, 1GPM, 2 NOZZLE

Item	Qty.	Part Number	Description
1	1	05037311	NIPPLE, REDUCING, 1.25" MNPT C .375 MALE NPT, POLY
2	1	05037315	VALVE, BALL UNION TYPE, .75" FNPT C .75 FNPT, POLY
3	1	05037355	NIPPLE, .75 NPT, SHORT, POLY
4	1	05037309	STRAINER, Y-TYPE, .75 FNPT, 20 MESH SCREEN, POLY <i>See page 21</i>
5	1	05037303	HOSE BARB, 90 DEG, .75 MNPT X .5 MALE BARB, POLY
6	1	05037464	SEALANT THREAD W/ TEFLON
7	1	05038197	NOZZLE BODY, HOSE SHANK, .5 HOSE BARB, 90 DEG POLY
8	1	05038196	NOZZLE BODY, HOSE SHANK, T, .5 HOSE BARB, POLY
9	2	05038179	NOZZLE CAP, TYPE TT, NOZZLE BODY, BRASS
10	1	05050202	VALVE, NOZZLE CHECK, 10 PSI, POLY
11	2	05038220	NOZZLE TIP, 1GPM@40PSI, BRASS
12	20 FT	05037307	HOSE, .5 BLACK EPDM 150PSI
13	1	05050271	CLAMP, CUSHIONED METAL, .75
14	8	05037281	CLAMP, HOSE, .75 SST
15	5	05016040	BOLT, .25-20 X 1, HHCS, SST
16	5	05020904	NUT, .75-20, SPINLOCK, SST
17	2	00050939	SHIELD, NOZZLE, 304 SST
18	1	05037585	ELBOW, .75 NPT, POLY, STREET, 90 DEG
19	1	05037354	HOSE BARB, POLY, .75 MNPT X .5 BARB
20	2	05037302	HOSE BARB, .5 X .5 MNPT, POLY, STRAIGHT



00065208 NOZZLE KIT, ELECTRIC, 1GPM, 3 NOZZLE

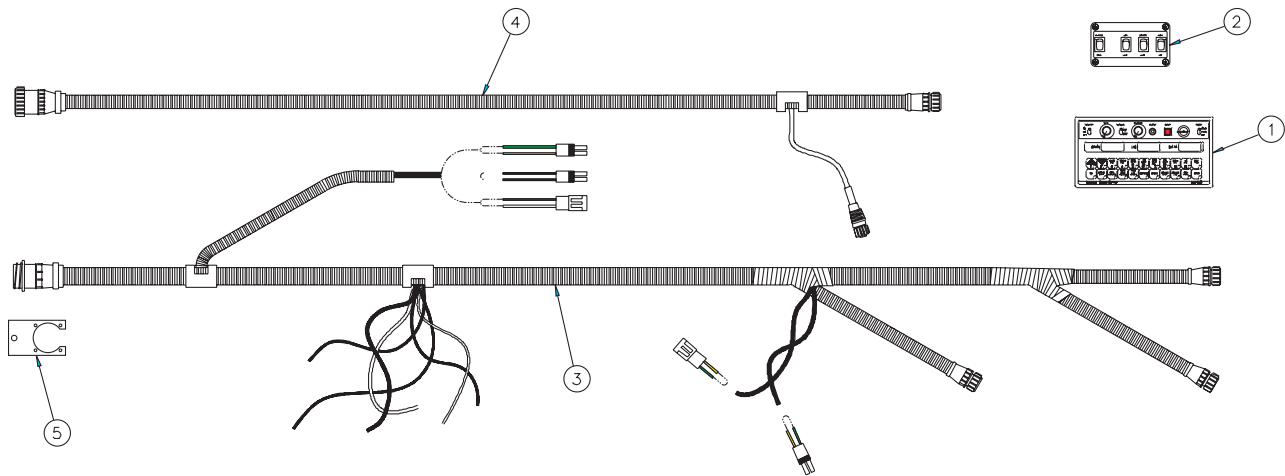
Item	Qty.	Part Number	Description
1	1	05037311	NIPPLE, REDUCING, 1.25" MNPT C .375 MALE NPT, POLY
2	1	05037315	VALVE, BALL UNION TYPE, .75" FNPT C .75 FNPT, POLY
3	1	05037355	NIPPLE, .75 NPT, SHORT, POLY
4	1	05037309	STRAINER, Y-TYPE, .75 FNPT, 20 MESH SCREEN, POLY <i>See page 21</i>
5	1	05037303	HOSE BARB, 90 DEG, .75 MNPT X .5 MALE BARB, POLY
6	1	05037464	SEALANT THREAD W/ TEFLON
7	1	05038197	NOZZLE BODY, HOSE SHANK, .5 HOSE BARB, 90 DEG POLY
8	1	05038196	NOZZLE BODY, HOSE SHANK, T, .5 HOSE BARB, POLY
9	3	05038179	NOZZLE CAP, TYPE TT, NOZZLE BODY, BRASS
10	1	05050202	VALVE, NOZZLE CHECK, 10 PSI, POLY
11	3	05038220	NOZZLE TIP, 1GPM@40PSI, BRASS
12	20 FT	05037307	HOSE, .5 BLACK EPDM 150PSI
13	1	05050271	CLAMP, CUSHIONED METAL, .75
14	8	05037281	CLAMP, HOSE, .75 SST
15	5	05016040	BOLT, .25-20 X 1, HHCS, SST
16	5	05020904	NUT, .75-20, SPINLOCK, SST
17	2	00050939	SHIELD, NOZZLE, 304 SST
18	1	05037585	ELBOW, .75 NPT, POLY, STREET, 90 DEG
19	1	05037354	HOSE BARB, POLY, .75 MNPT X .5 BARB
20	2	05037302	HOSE BARB, .5 X .5 MNPT, POLY, STRAIGHT



NOTE: (Reference Proper Raven Manual for Installation and Service)

00065201 CONTROL & HARNESS KIT

Item	Qty.	Part Number	Description
1	1	05040334	CONSOLE ASSEMBLY, RAVEN, DCS700
2	1	05040191	CABLE ASSEMBLY, TRUCK PORTION
3	1	05040232	CABLE ASSEMBLY, GRANULAR FLOW
4	1	00047931	MOUNTING PLATE, CONNECTOR, CABLE

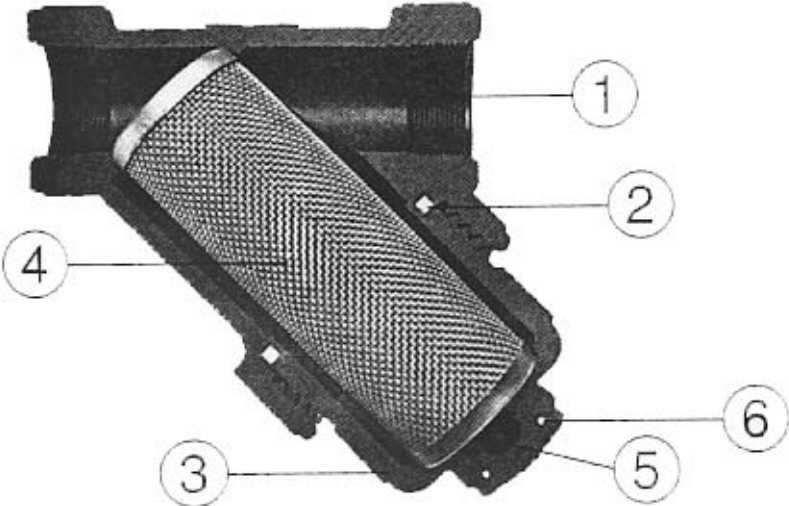


NOTE: (Reference Proper Raven Manual for Installation and Service)

00065200 CONTROL HARNESS KIT

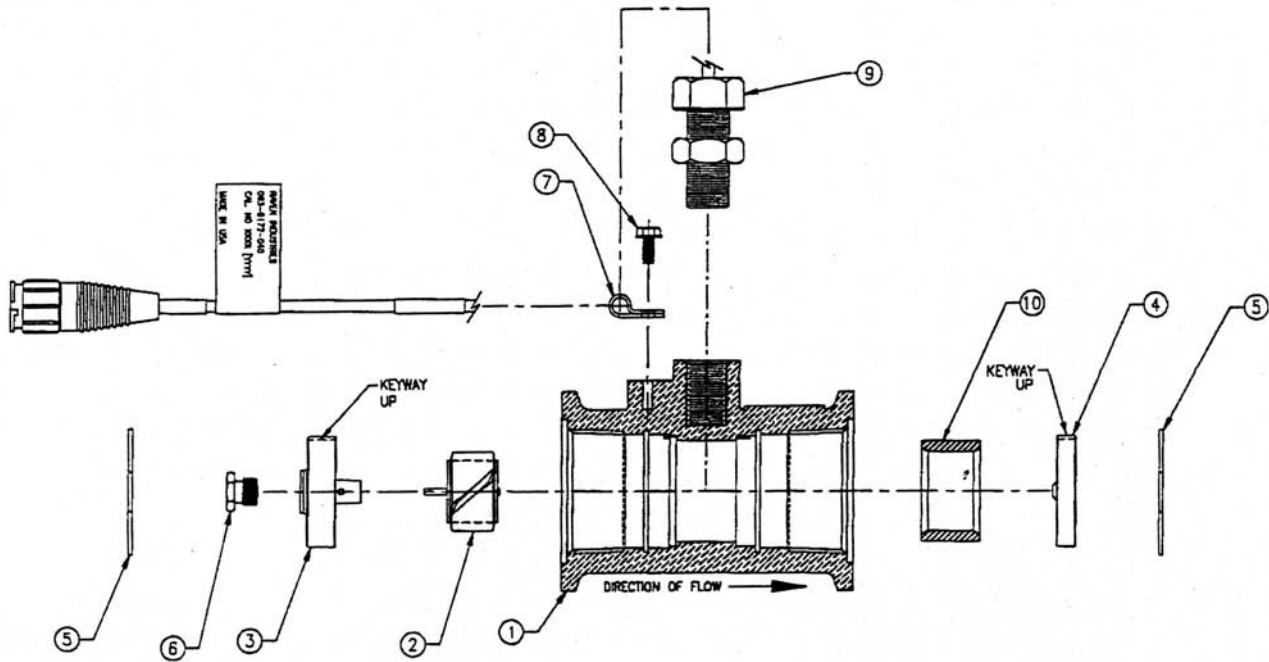
Item	Qty.	Part Number	Description
1	1	05040109	CONSOLE ASSEMBLY, DCS-710 CONTROL
2	1	05040192	CONSOLE ASSEMBLY, BOOM CONTROL
3	1	05040191	CABLE ASSEMBLY, TRUCK PORTION
4	1	05040232	CABLE ASSEMBLY, GRANULAR FLOW
5	1	00047931	MOUNTING PLATE, CONNECTOR, CABLE

05037309 STRAINER, Y-TYPE, 3/4" FNPT, 20 MESH SCREENS



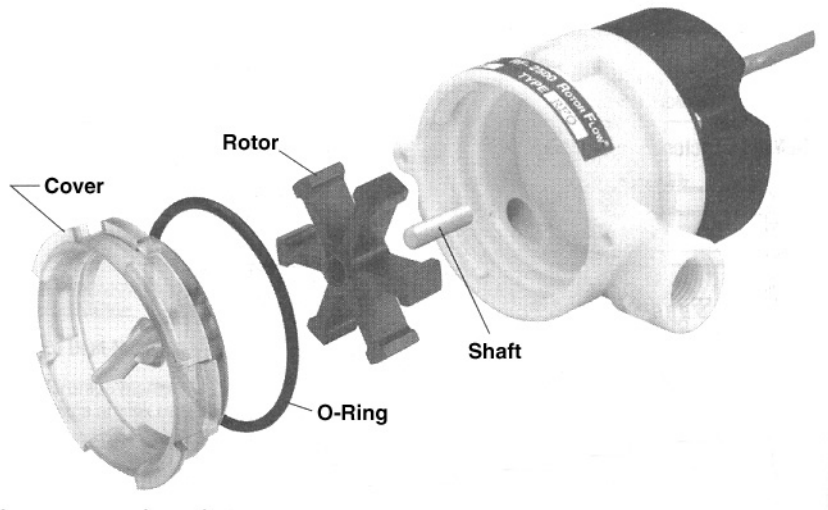
ITEM	QTY	PART #	DESCRIPTION
1	1	05039528	Y" Body and Cap
2	1	05038107	Gasket
3	1	05038564	End Cap
4	1	05038392	20 Mesh Screen
5	1	05038563	1/4" Drain Plug
6	1	05039534	EPDM O-Ring for Drain Plug

05040378 METER, FLOW, 2" FNPT



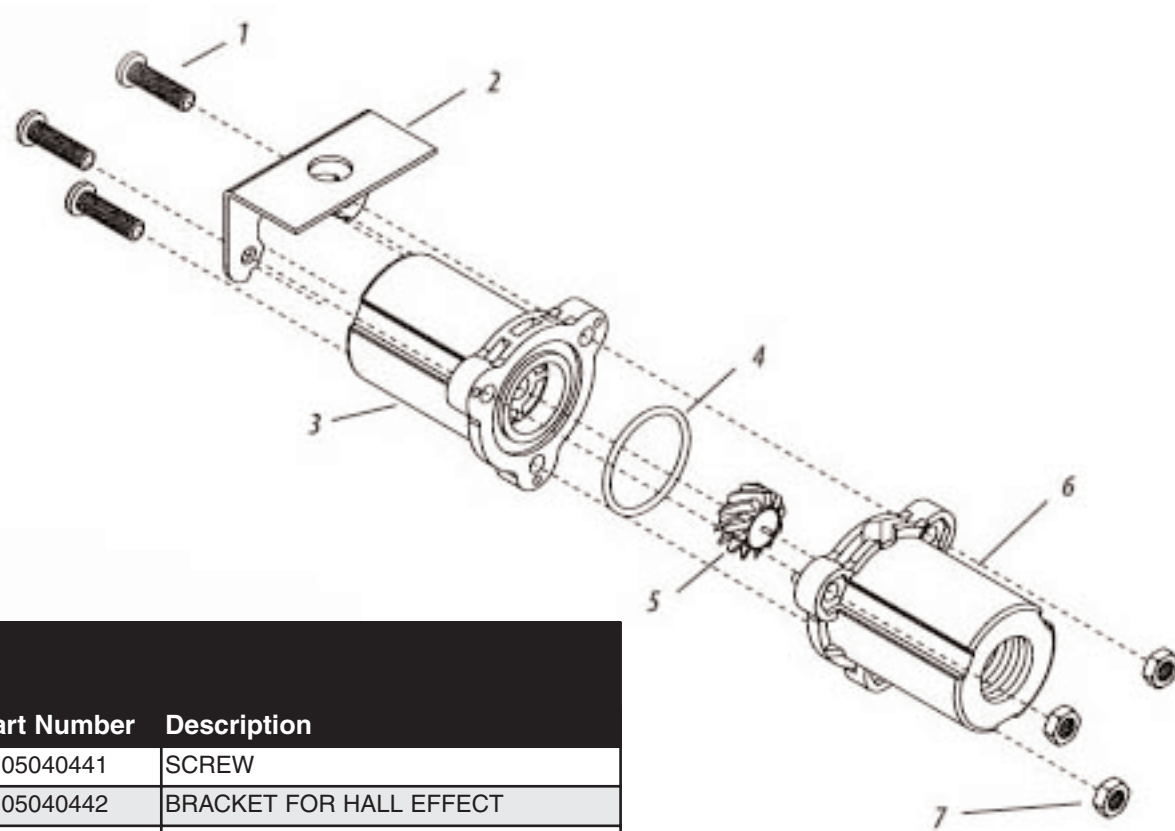
ITEM	QTY	PART #	DESCRIPTION
1	1	05040389	Body
2	1	05040390	Rotor/Magnet Assembly
3	1	---	Hub/Bearing Assembly, Upstream
4	1	05040391	Hub Assembly, Downstream
5	2	05040392	Ring, Retaining, Internal
6	1	05040393	Stud, Bearing
7	1	05040394	Clamp, Cable
8	1	05040395	Screw, Thread Forming
9	1	05040396	Sensor, Assembly, External
10	1	05040397	Sleeve, Flow Reducing

**05040234 METER, FLOW, DICKEY JOHN, 1/4" FNPT, .3-5 GPM, POLY
W/ PIGTAIL & WEATHEPACK**



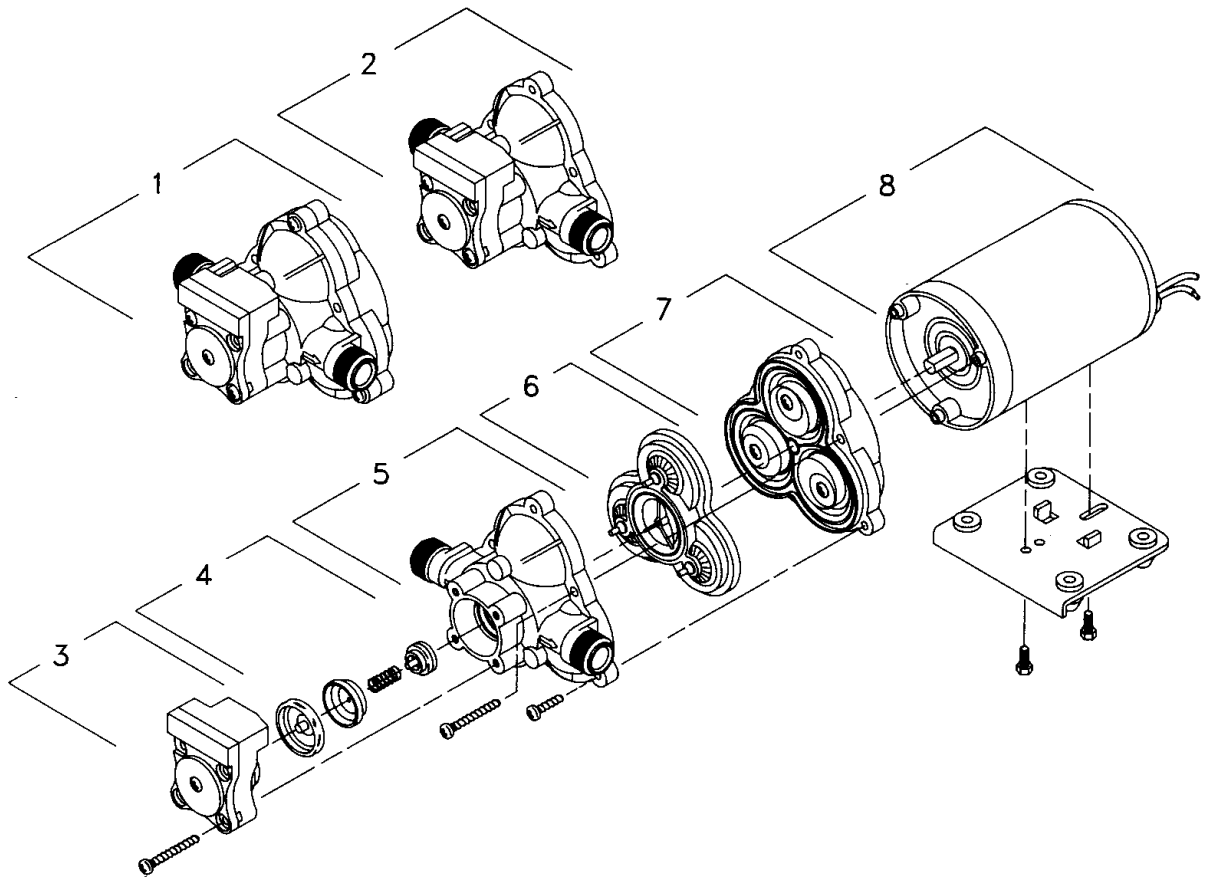
ITEM	QTY	PART #	DESCRIPTION
1	1	05040364	Meter, Flow, Repair Kit (1) Cover (1) Rotor (1) O-Ring (1) Shaft <i>Items in the Repair Kit cannot be purchased separately.</i>

05040429 METER, FLOW, .5 FNPT, 0-5GPM, FM500

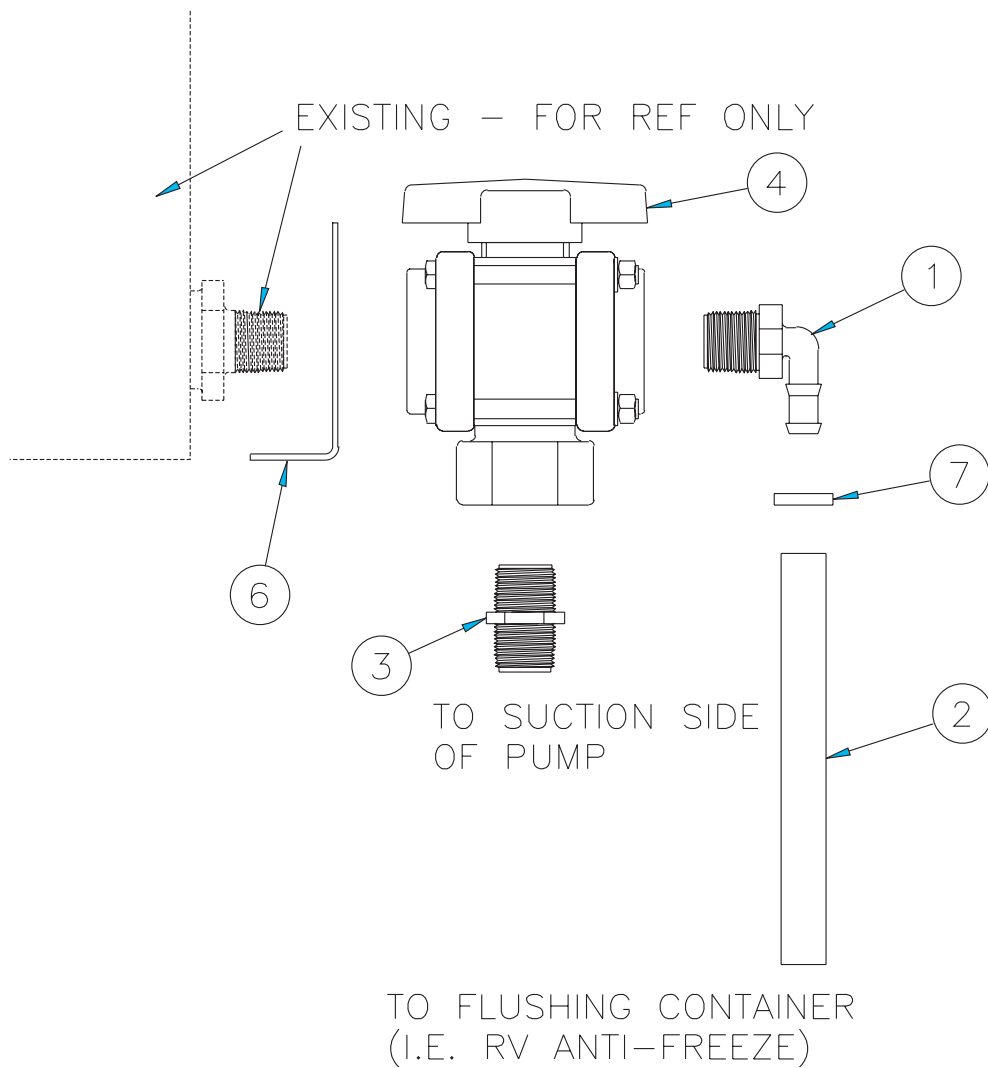


Item	Part Number	Description
1	05040441	SCREW
2	05040442	BRACKET FOR HALL EFFECT
4	05040443	O-RING
5	05040444	ROTOR
7	05040445	NUT

05008007 PUMP, SHURFLO, 12 VDC, 3 GPM

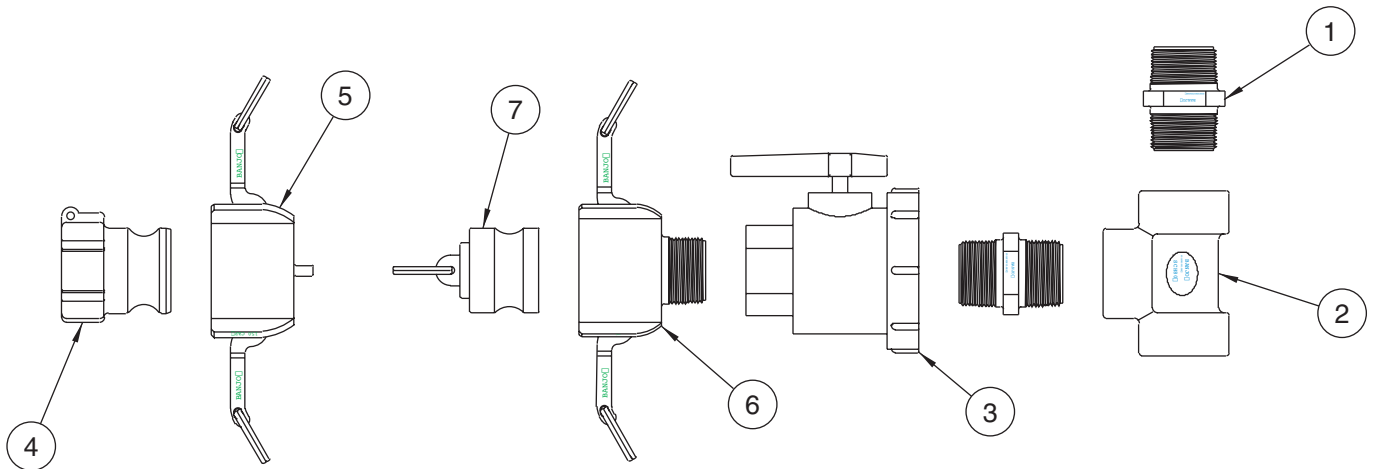


ITEM	QTY	PART #	DESCRIPTION
1	1	05008092	Complete Pump Head
2	1	05008093	Upper Housing/Switch Assembly
3	1	05008094	Switch Assembly
4	1	05008095	Check Valve Assembly
5	1	05008096	Upper Housing
6	1	05008097	Valve Assembly
7	1	05008098	Diaphragm/Drive Assembly
8	1	05008099	Motor



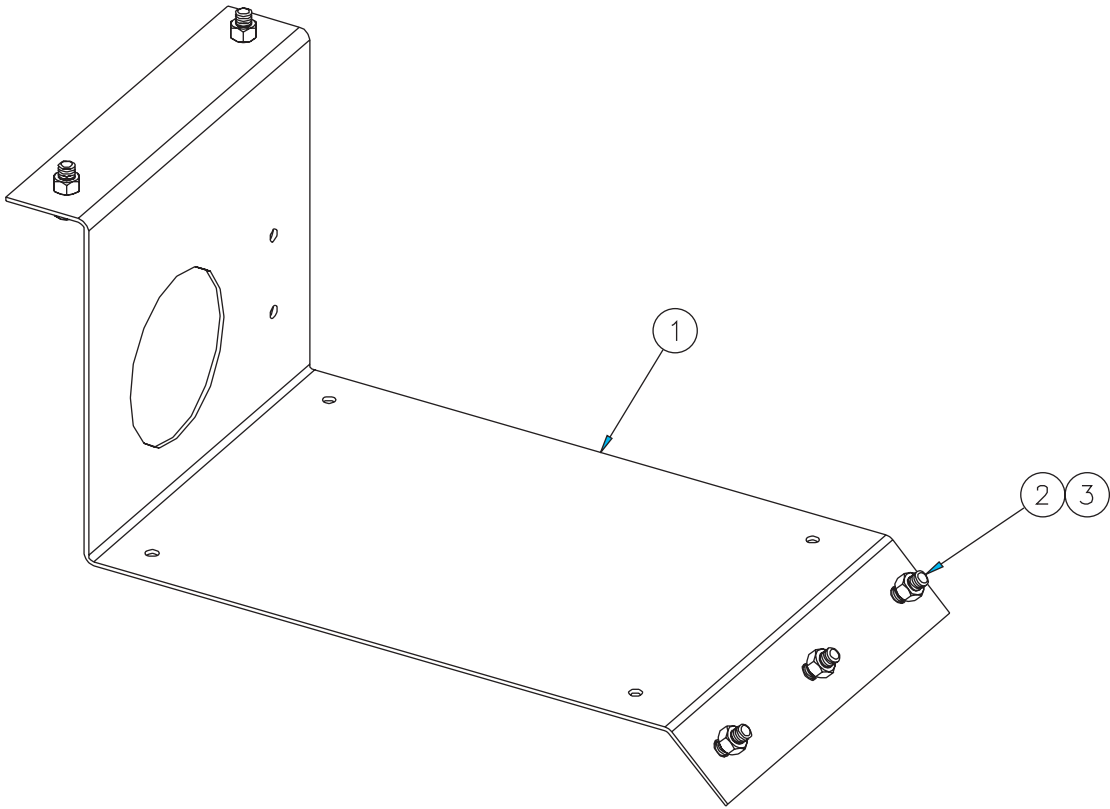
05050319 FLUSHER KIT

Item	Qty.	Part Number	Description
1	1	05037303	HOSE BARB, .5 X .75 MNPT, POLY
2	3 FT	05037307	HOSE, .5, BLACK, EPDM, 150 PSI
3	1	05037355	NIPPLE, .75 NPT, SHORT POLY
4	1	05037363	VALVE, 3-WAY BALL TYPE, .75 FNPT
5	1	05037300	CLAMP, HOSE, 1.25 SST
6	1	00050989	BRACKET, MOUNTING, VALVE, 2 BALL
7	1	05037281	CLAMP HOSE, .75 SST



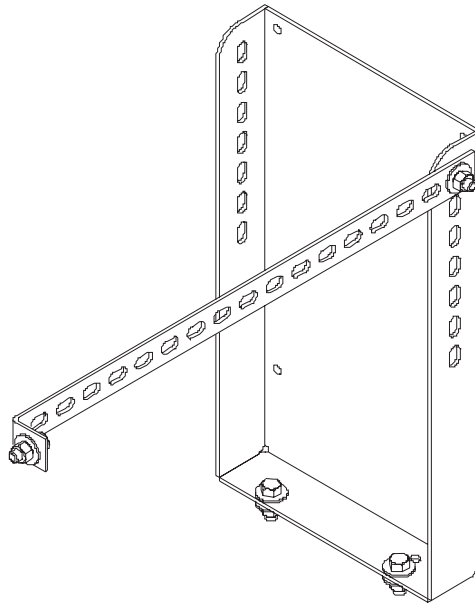
05050320 BULK FILL KIT

Item	Qty.	Part Number	Description
1	2	05037371	NIPPLE, 1.25" SHORT POLY
2	1	05037372	TEE, 1.25" FNPT ALL PORTS POLY
3	1	05037373	VALVE, BALL UNION TYPE
4	1	05037375	COUPLER, POLY, CAM, 1.5" MALE X 1.25" FNPT
5	1	05037377	CAP, POLY, CAM FOR 1.5" MALE COUPLER
6	1	05037374	COUPLER, POLY, CAM, 1.5" FEMALE X 1.25" MNPT
7	1	05037376	PLUG, POLY, CAM FOR 1.5" FEMALE COUPLER



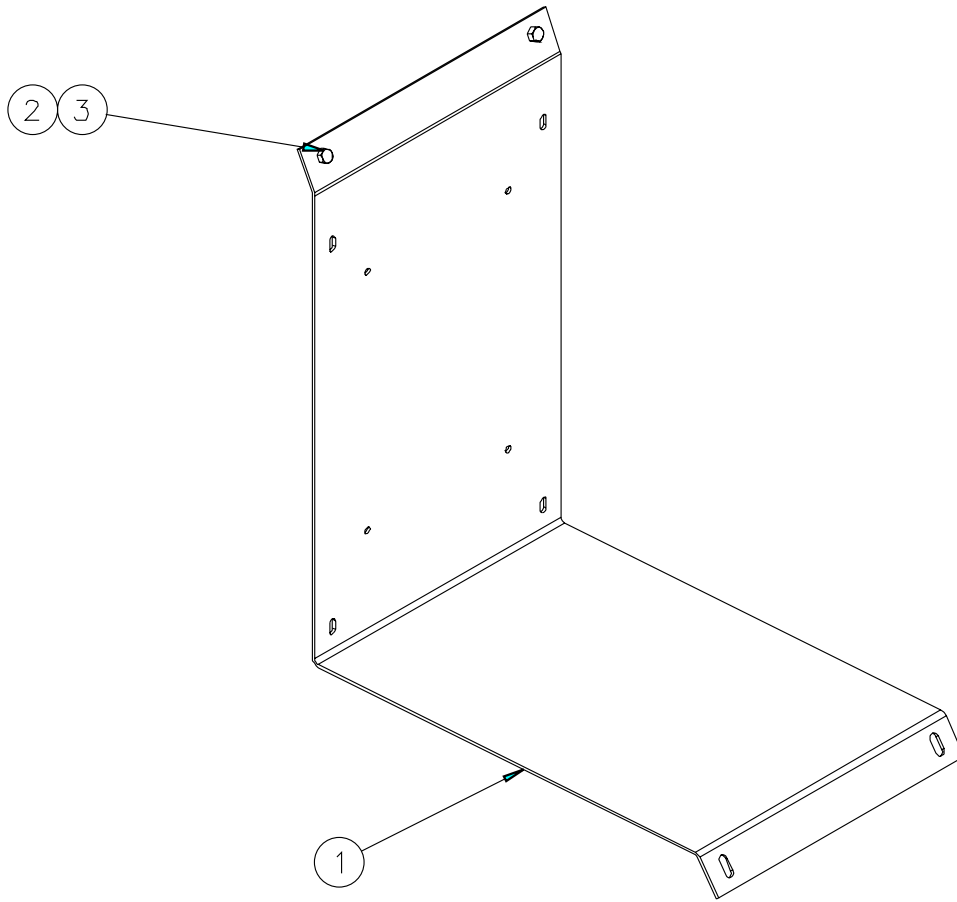
00016129 MOUNTING KIT, SMALL ENCLOSURE (BODY MOUNT)

Item	Qty.	Part Number	Description
1	1	00035948-A 00035948-B	PUMP ENCLOSURE MOUNT, MS PUMP ENCLOSURE MOUNT, SST
2	5	05010643 05016034	BOLT, .375 - 16 X 1, HHCS, G8, ZINC BOLT, .375-16 X 1, HHCS, G8, ZINC
3	5	05020898 05020891	NUT, .375-16, TOP LOCK, C&W NUT, .375-16, NYLON LOCK, 316 SST



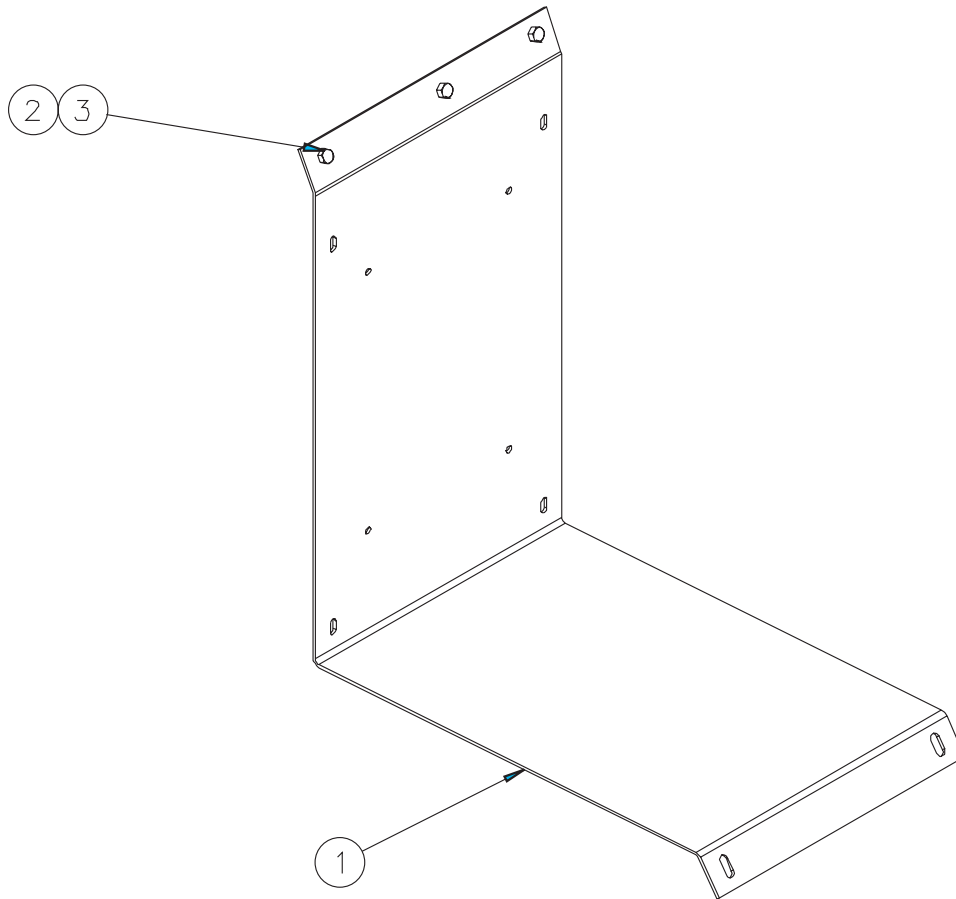
00016173 MOUNTING KIT, SMALL ENCLOSURE, MSPV (PLATFORM MOUNT)

Item	Qty.	Part Number	Description
1	1	00025487-A 00025487-B	BRACKET, MOUNTING, SMALL ENCLOSURE, MS BRACKET, MOUNTING, SMALL ENCLOSURE, SST
2	4	05010643 05016034	BOLT, .375-16 X 1, G8, HHCS, ZINC BOLT, .375-16 X 1, HHCS, SST
3	4	05020898 05020891	NUT, .373-16, TOP LOCK, C&W NUT, .375-16, NYLON LOCK, 316 SST
4	8	05021307 05021390	WASHER, .375, FLAT, ZINC WASHER, .375, FLAT, SST
5	1	00061895-A 00061895-B	BRACKET, ADJUSTER ENCLOSURE, MS BRACKET, ADJUSTER ENCLOSURE, SST



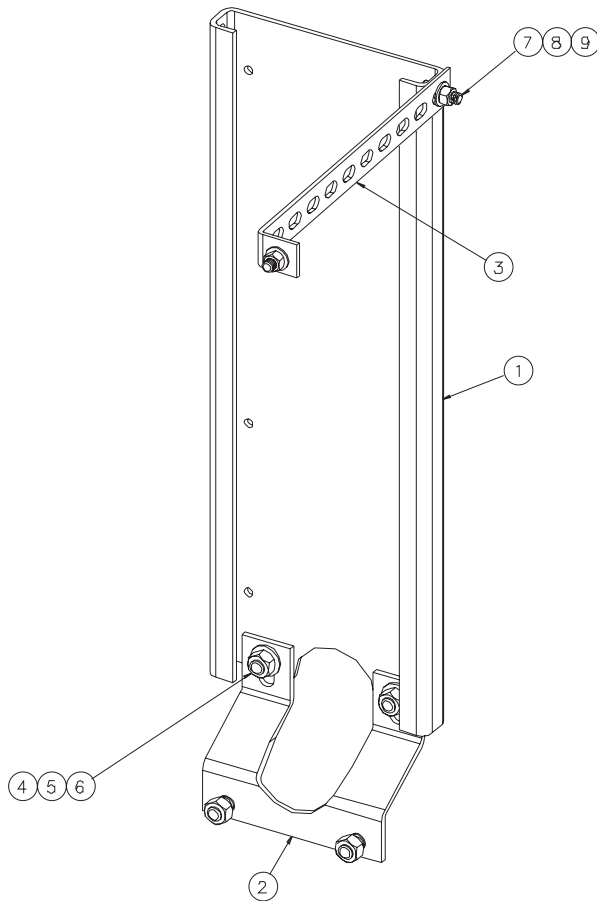
00012990 MOUNTING KIT, ENCLOSURE, BODY MOUNT

Item	Qty.	Part Number	Description
1	1	00059394-.A 00059394-B	BRACKET, CONTROL BOX, MS BRACKET, CONTROL BOX, SST
2	2	05010643 05016034	BOLT, .375-16 X 1, HHCS, G8, ZINC BOLT, .375-16 X 1, HHCS, SST
3	2	05020898 05020891	NUT, .375-16, TOP LOCK, C&W NUT, .375-16, NYLON LOCK, 316 SST



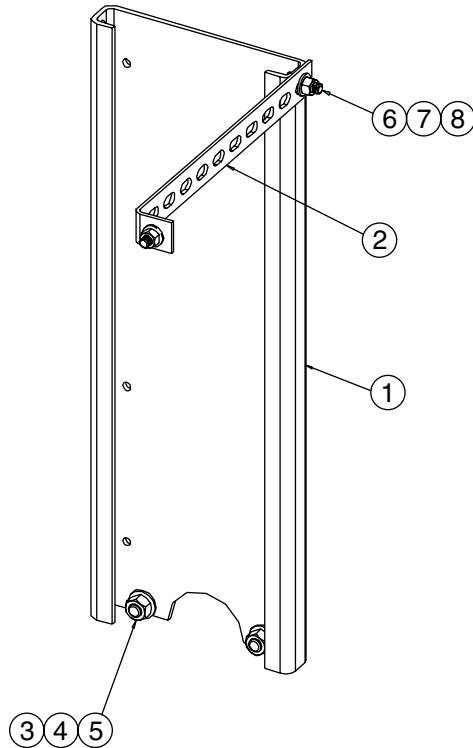
00016130 MOUNTING KIT, ENCLOSURE, BODY MOUNT

Item	Qty.	Part Number	Description
1	1	00065923-A 00065923-B	BRACKET, CONTROL BOX, MS BRACKET, CONTROL BOX,304 SST
2	5	05010643 05016034	BOLT, .375-16 X 1, HHCS, G8, ZINC BOLT, .375-16 X 1, HHCS, SST
3	5	05020898 05020891	NUT, .375-16, TOP LOCK, C&W NUT, .375-16, NYLON LOCK, 316 SST



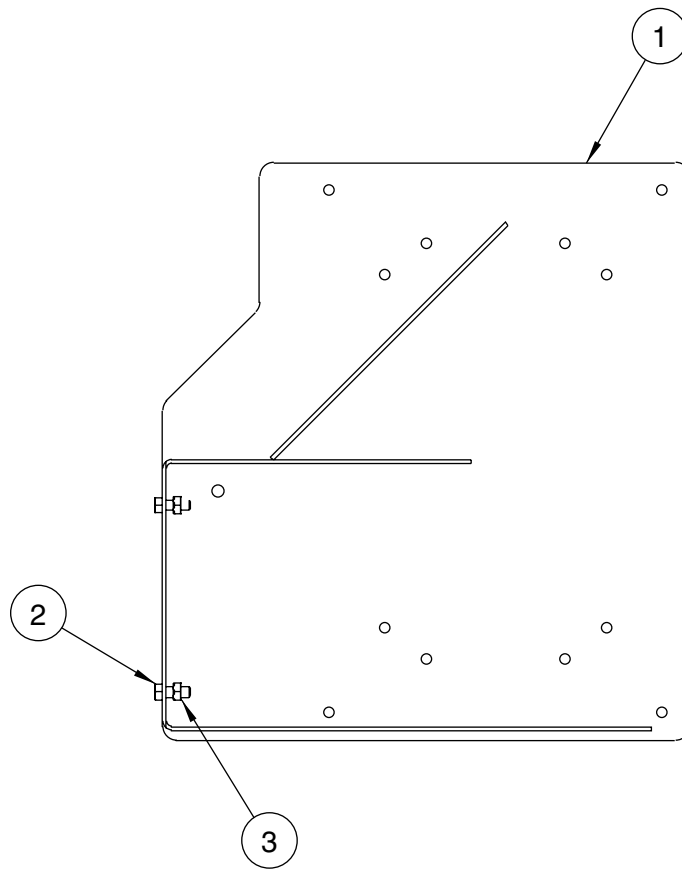
00020002 MOUNTING KIT, ENCLOSURE, SADDLE MOUNT

Item	Qty.	Part Number	Description
1	1	00059806-A 00059806-B	MOUNTING PLATE, ENCLOSURE, PUMP, MS MOUNTING PLATE, ENCLOSURE, PUMP, SST
2	1	00059815-A 00059815-B	BRACKET, MOUNT, LOWER, ENCLOSURE, MS BRACKET, MOUNT, LOWER, ENCLOSURE, SST
3	2	00061895-A 00061895-B	BRACKET, ADJUSTER, ENCLOSURE, MS BRACKET, ADJUSTER, ENCLOSURE, SST
4	2	05010689 05016045	BOLT, .5-13 X 1, G8, HHCS, ZINC BOLT, .5-13 X 1.25, HHCS, SST
5	2	05021309 05021391	WASHER, .5, FLAT, ZINC WASHER, .5, FLAT, SST
6	2	05020847 05020908	NUT, .5-13, GC, TOP LOCK, C&W NUT, .5-13, NYLON LOCK, 316 SST
7	2	05010643 05016049	BOLT, .375-16 X 1, HHCS, G8, ZINC BOLT, .375-16 X 1.25 HHCS, SST
8	2	05021307 05021390	WASHER, .375, FLAT, ZINC WASHER, .375, FLAT, SST
9	2	05020898 05020891	NUT, .375-16, TOP LOCK, C&W NUT, .375-16, NYLON LOCK, 316 SST



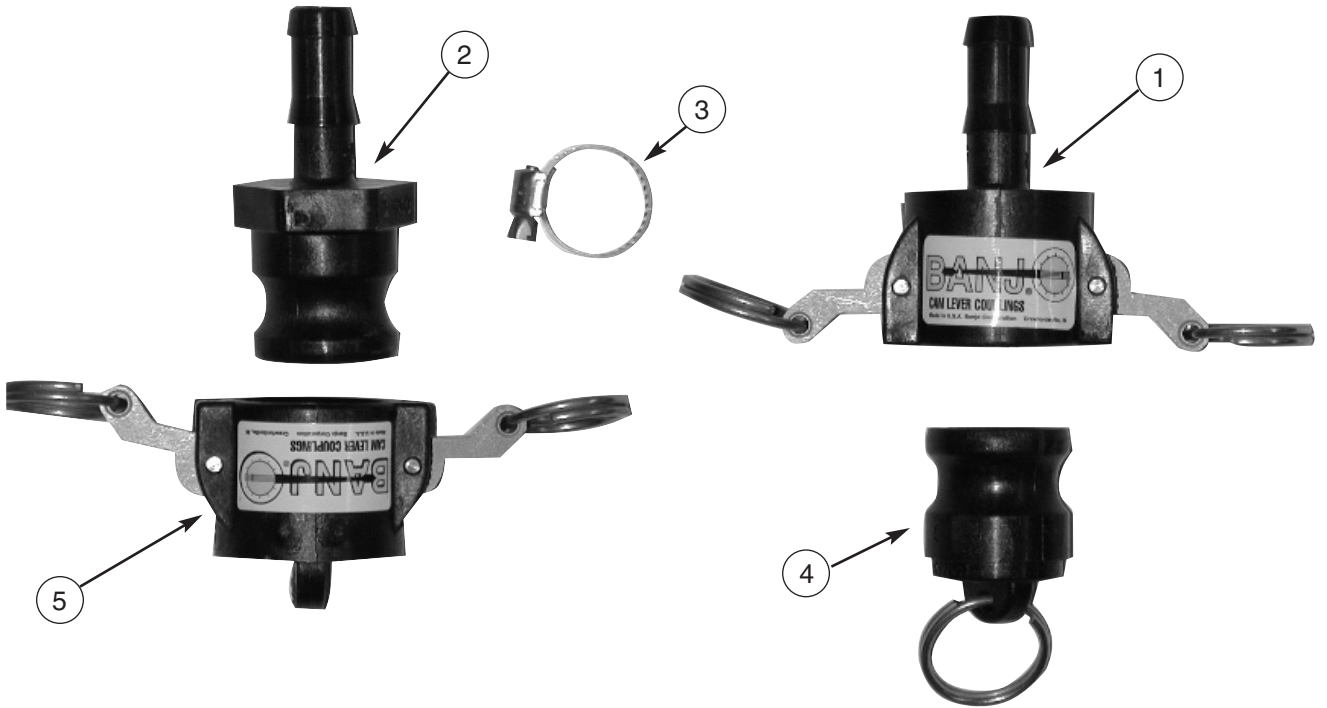
00020003 MOUNTING KIT, ENCLOSURE SADDLE MOUNT

Item	Qty.	Part Number	Description
1	1	00059806-A 00059806-B	MOUNTING PLATE, ENCLOSURE, PUMP, MS MOUNTING PLATE, ENCLOSURE, PUMP, SST
2	1	00061895-A 00061895-B	BRACKET ADJUSTER, ENCLOSURE, MS BRACKET ADJUSTER, ENCLOSURE, SST
3	2	05010689 05016045	BOLT, .5-13 X 1, G8, HHCS, ZINC BOLT, .5-13 X 1.25, HHCS, SST
4	2	05021309 05021391	WASHER, .5, FLAT, ZINC WASHER, .5, FLAT, SST
5	2	05020847 05020908	NUT, .5-13, GC, TOP LOCK, C&W NUT, .5-13, NYLON LOCK, 316 SST
6	2	05010643 05016049	BOLT, .375-16 X 1, HHCS, G8, ZINC BOLT, .375-16 X 1.25 HHCS, SST
7	2	05021307 05021390	WASHER, .375, FLAT, ZINC WASHER, .375, FLAT, SST
8	2	05020898 05020891	NUT, .375-16, TOP LOCK, C&W NUT, .375-16, NYLON LOCK, 316 SST



00017725 MOUNTING KIT, ENCLOSURE BOX, MV/MSV

Item	Qty.	Part Number	Description
1	1	00017722-A 00017722-B	MOUNTING PLATE WELDMENT, ENCLOSURE BOX, PREWET, MS MOUNTING PLATE WELDMENT, ENCLOSUER BOX, PREWET, SST
2	4	05010643 05016034	BOLT, .375-16 X 1, G8, HHCS, ZINC BOLT, .375-16 X 1, HHCS, SST
3	4	05020898 05020891	NUT, .375-16, GC, TOP LOCK, C&W NUT, .375-16, NYLON LOCK, SST



00020043 QUICK DISCONNECT KIT

Item	Qty.	Part Number	Description
1	1	05037637	COUPLER, CAM, .75 FEMALE POLY
2	1	05037900	COUPLER, CAM, .75 MALE X .5 HOSE, POLY
3	2	05037281	CLAMP, HOSE, SST
4	1	05038313	PLUG
5	1	05038312	CAP

HOW TO ORDER PARTS

To order or inquire about replacement parts, please contact the **distributor** or **store** that the product was purchased through. To speed the information flow, please have the following information ready:

- Model Number
- Serial Number
- Part Number and/or description as per the parts manual
- Quantity needed

For further information about **Monroe Truck Equipment** replacement parts, please call 800-880-0109 and ask for **Snow & Ice Parts Sales**.

RETURN POLICY

Merchandise returned to **Monroe Truck Equipment** must have a Returned Goods Authorization (RGA) form filled out completely and signed by authorized personnel. To get your RGA form, call 800-880-0109. For whole goods, ask for **Snow & Ice Sales**. For replacement parts, ask for **Snow & Ice Parts Sales**. All returned items are subject to a 15% restocking fee and must be sent freight prepaid!

MONROE TRUCK EQUIPMENT, INC. WARRANTY SNOW & ICE CONTROL PRODUCTS

Monroe Truck Equipment, Inc. warrants to the original purchaser, that if any part of the product proves to be defective in workmanship or material within **ONE YEAR** of the original installation, and is returned to us within 30 days of the discovered defect, we will (at our option) repair or replace the defective part. This warranty does not apply to damage resulting from misuse, neglect, accident, improper installation, normal wear items or lack of maintenance. This warranty is exclusive and supersedes all other warranties, whether expressed or implied. **Monroe Truck Equipment, Inc.** neither assumes, nor authorizes anyone to assume for it, any other obligation or liability in connection with this warranty and will not be liable for consequential damages.

All engines, pumps, motors, cylinders and valves are warranted by their manufacturer and not by **Monroe Truck Equipment, Inc.**. The manufacturer's warranty will apply to these parts. Electrical and hydraulic components are not to be disassembled without the express written permission of Monroe Truck Equipment. Use of replacement parts other than original equipment voids this warranty.

All defective parts returned must be accompanied by the model number, serial number, date installed, date of defect, description of defect, and the name of the distributor from whom it was purchased. All warranty claims must have prior written approval from **Monroe Truck Equipment, Inc.**

Please return the warranty registration card that accompanies this manual to confirm receipt of this parts catalog and acknowledge the information contained within. Failure to return the attached card may result in a voided warranty.



1051 West 7th Street
Monroe, WI 53566
608-328-8127 ~ Fax: 608-328-4278

Warranty Policy

Uninstalled Parts and Equipment Provided by Monroe Truck Equipment

Monroe Truck Equipment will provide the following limited warranty for a period of one year to the original purchaser of all uninstalled goods provided by Monroe Truck Equipment:

LIMITED WARRANTY: All goods provided by Monroe Truck Equipment (MTE) will be free from defects in material and workmanship for a period of one year from the date of purchase by the original purchaser. This limited warranty shall be the sole and exclusive remedy for any such product found to be defective. This limited warranty supercedes all previous warranties and is exclusive and in lieu of all other warranties, whether expressed or implied.

This limited warranty applies only to parts or accessories manufactured by MTE and/or provided by same. Except with respect to title, this limited warranty does not pertain to parts or accessories not manufactured and/or provided by MTE, regardless of whether such parts or accessories were selected and/or recommended by MTE. MTE will, as a service to the buyer, pass on any warranties received from the original manufacturer of MTE provided parts and/or accessories.

MTE will not under any circumstances be liable for any incidental or consequential damages whether in tort, contract, or otherwise, for any bodily injury, death, property damage, loss of use, or loss of income resulting from or in any way arising out of any goods provided by MTE, or their sale, use, or manufacture.

Any warranty claim deemed to be arising from the result of misuse, abuse, neglect, accident, improper installation, lack of maintenance, act of war (whether declared or otherwise), or act of God will be denied. Any repair or modification by the buyer or any third party, without the prior written consent of MTE, will void any possible warranty compensation. Any damage deemed to be the result of abnormal operation will not be compensated by this warranty.

Normal or special maintenance items such as fuels, fluids, tires, belts, hoses, filters, air cleaners, light bulbs, and any other items subject to normal wear and tear that are supplied in connection with goods provided by MTE are not allowed under this warranty.

All engines, pumps, cylinders, valves, and motors are warranted by their manufacturer and not by Monroe Truck Equipment. The manufacturer's warranty will apply to these parts. Electrical and hydraulic components are not to be disassembled without the express written consent of MTE. Any disassembly of MTE provided components without prior authorization will void the applicable warranty.

Monroe Truck Equipment shall be the sole and final determining authority as it applies to the administration of this warranty policy. Purchaser acknowledges receipt of Monroe Truck Equipment Warranty Policy and agrees to be bound by same.



GLOBAL SOLUTIONS
ARMORED VEHICLES ~ SPORT TRUCK CONVERSIONS
MUNICIPAL SNOW & ICE CONTROL ~ FIRE APPARATUS
PICKUP TRUCK ACCESSORIES ~ TRUCK EQUIPMENT/MODIFICATIONS





1051 West 7th Street
Monroe, WI 53566
608-328-8127 ~ Fax: 608-328-4278

Any and all warranty claims must be forwarded to MTE within 10 days of defect discovery. A copy of the original Monroe Truck Equipment invoice as well as the manufacturer's model number, serial number, and date of installation must accompany all correspondence regarding said claims. MTE will, at their option, choose whether to repair or replace the defective part unless otherwise specified by the original manufacturer of said part.

Procedures for Warranty Claims Notification

For submission of any warranty claim please contact Monroe Truck Equipment – Warranty Department at 800-356-8134

The following documentation will be needed when you call for initial warranty authorization:

1. A copy of the original MTE invoice.
2. Make, Model, and VIN or Serial Number of the equipment involved.
3. Part number and serial number of the part in question.
4. A complete description of the problem.

The following must accompany any claim submitted to Monroe Truck Equipment:

1. Documented photographs of any physical damage.
2. Inspection notes by MTE personnel or MTE authorized 3rd party.
3. Authorization number issued by Monroe Truck Equipment – Warranty Department.

Defective parts must be returned to Monroe Truck Equipment (freight prepaid) within 30 days of issuance of Authorization Number.

Monroe Truck Equipment reserves the right to void any warranty for failure to comply with Monroe Truck Equipment Warranty Policy.

This policy is effective October 11, 2012

