



Prewet Systems

Parts Manual

Tank and Mounting Hardware Kits



MONROE TRUCK EQUIPMENT

1051 W. 7th Street

Monroe, WI 53566

Phone: 608-328-8127

Fax: 608-329-8488

05051884

8/10/2005

TABLE OF CONTENTS

SAFETY INSTRUCTIONS	Page 2
MAINTENANCE INSTRUCTIONS	Page 3
TORQUE CHART	Page 3
GENERAL INFORMATION	Page 4
HOW TO ORDER PARTS	Page 5
RETURN POLICY	Page 5
INDEX	Page 7
REPLACEMENT PARTS	Page 7-59
WARRANTY INFORMATION	Page 61

SAFETY INSTRUCTIONS

- Read all installation, safety and maintenance instructions completely before operating this equipment.
- Keep all personnel clear of moving parts while equipment is being operated.
- Do not operate equipment in need of maintenance! Repair immediately!
- While operating this equipment use common sense, use caution, be alert and be safety-conscious.

WARNING:

Some anti-icing/de-icing/pre-wetting chemicals and/or their vapors are **NOT** compatible with 304 stainless steel and can cause damage to 304 stainless steel tanks and tank welds. Storing those types of chemicals in 304SS tanks is not recommended and may void the tank's warranty. Monroe Snow & Ice Control assumes no responsibility for damage to 304SS tanks caused by incompatible chemicals being used for anti-icing/de-icing/pre-wetting applications. Monroe Snow & Ice Control recommends that you contact your chemical supplier to check your anti-icing/de-icing/pre-wetting chemical's compatibility with 304SS prior to loading into tanks.

MAINTENANCE INSTRUCTIONS

In Season:

- During periods of non-use it is recommended that the system be flushed of deicing chemicals using antifreeze.

Example: CARGILL recommends the vehicle be steam-cleaned after each use and that the liquid system be flushed with hot water. After flushing, it is extremely important to rid the system of all water. If this is not done, the water will freeze and damage or destroy your components.

Other chemical companies may not want water used. Water used for flushing could turn the chemical into a jelly-like substance. Check with your chemical supplier for proper flush liquids. Inspect hose for cracks and replace as needed. If replacing a hose is required, refer to your supplier for proper product reference.

- Reapply dielectric grease periodically to pins and receivers of all wire harness connectors to prevent corrosion of these terminals.

Off Season: *(If Applicable)*




Getting the liquid system ready for summer storage will save you a great deal of time and money when fall comes for remounting.

- Fully flush the complete system. Thoroughly rinse inside of tank and flush with R.V. anti-freeze.
- Pull apart your brass pumps and clean them thoroughly. Perhaps when rebuilding, consider a very light layer of grease to keep the bushing and gears in good shape.
- Inspect the nozzles for residual caking of liquid material and clean them.

GENERAL INFORMATION

- Location descriptions are noted in direction of travel. (i.e. front, rear, left and right.)
- Delivery of replacement parts is subject to our sales delivery terms.
- Use only **Monroe Truck Equipment** O.E.M. replacement parts. Failure to do so will void warranty.
- Replacement parts listed in this manual reflect our most common items. If you do not find the part you require, please call your distributor.
- **Monroe Truck Equipment** reserves the right to make revisions or alterations to this parts manual.

TORQUE CHART

SIZE	 GRADE 2	 GRADE 5	 GRADE 8
1/4-20	50 IN-LBS	75 IN-LBS	9 FT-LBS
3/8-16	15 FT-LBS	23 FT-LBS	35 FT-LBS
1/2-13	35 FT-LBS	55 FT-LBS	80 FT-LBS
5/8-11	75 FT-LBS	110 FT-LBS	170 FT-LBS
3/4-10	130 FT-LBS	200 FT-LBS	280 FT-LBS
1-8	190 FT-LBS	480 FT-LBS	680 FT-LBS
1 1/4-7	380 FT-LBS	840 FT-LBS	1360 FT-LBS

HOW TO ORDER PARTS

To order or inquire about replacement parts, please contact the **distributor** or **store** that the product was purchased through. To speed the information flow, please have the following information ready:

- Model Number
- Serial Number
- Part Number and/or description as per the parts manual
- Quantity needed

For further information about **Monroe Truck Equipment** replacement parts, please call 800-880-0109 and ask for **Snow & Ice Parts Sales**.

RETURN POLICY

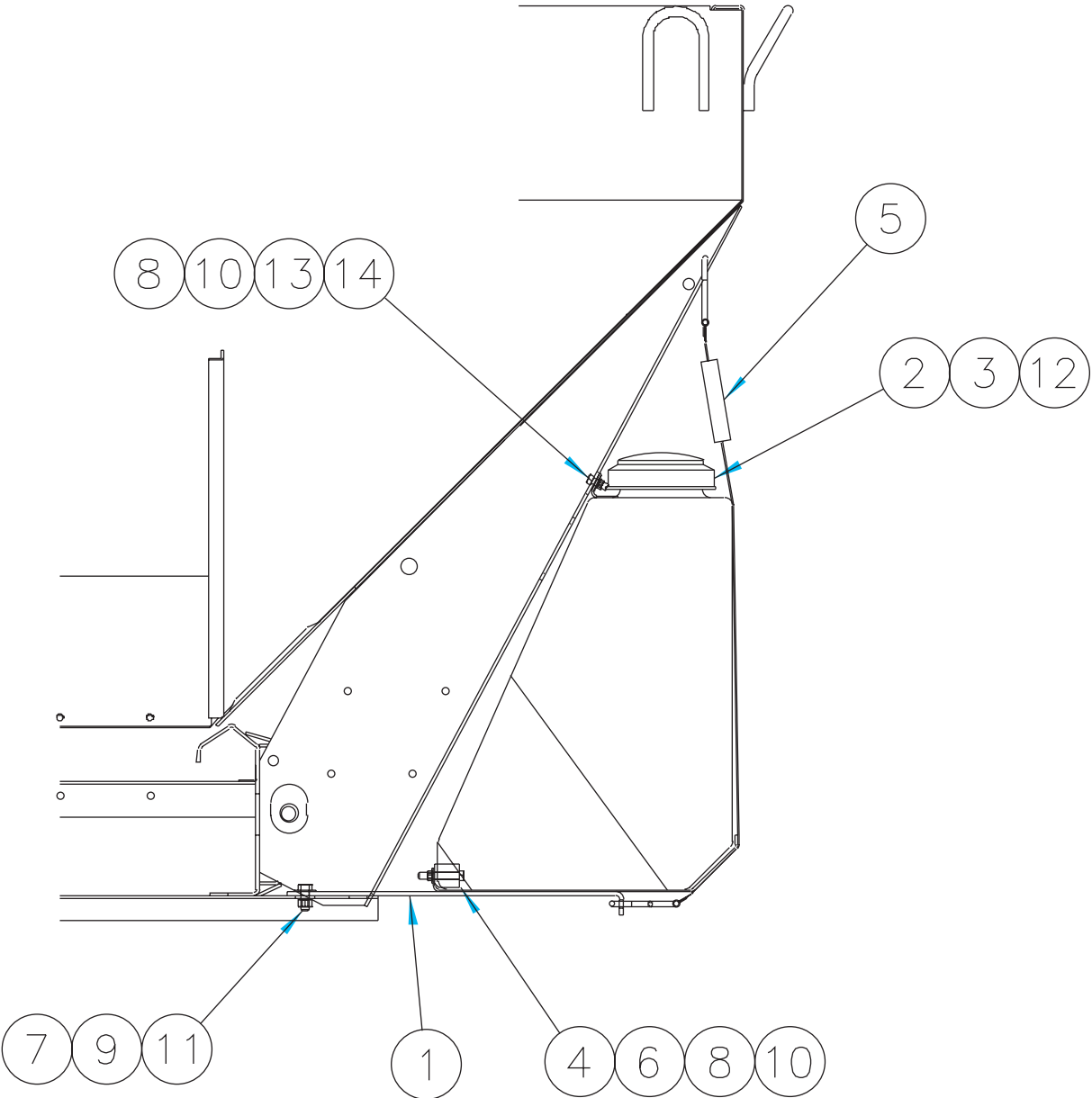
Merchandise returned to **Monroe Truck Equipment** must have a Returned Goods Authorization (RGA) form filled out completely and signed by authorized personnel. To get your RGA form, call 800-880-0109. For whole goods, ask for **Snow & Ice Sales**. For replacement parts, ask for **Snow & Ice Parts Sales**. All returned items are subject to a 15% restocking fee and must be sent freight prepaid!

NOTES

ALL PREWETTING TANK KITS

Item	Qty	Part Number	Description	Product Pg #	
1		00014774 00014735	Tank Kit, 75 Gallon, MV/MSV Tank Kit, 100 Gallon, MV/MSV	V-Box	8-11
2		00071869 00071868	Tank Kit, 75 Gallon, 5" Lid Tank Kit, 100 Gallon, 5" Lid	V-Box	13-15
3		00071867 00031829	Tank Kit, 100 Gallon, 3" Lid, Narrow Tank Tank Kit, 120 Gallon, 3" Lid	V-Box	16-19
4		00011720 00068258	Tank Kit, Dual 15 Gallon, w/ Ext Channels Tank Kit, Dual 35 Gallon, w/ Ext. Channesi	MSPV	20-23
5		00031181 00011699 00011701 00065253	Tank Kit, 35 Gallon Tank Kit, 75 Gallon Tank Kit, 100 Gallon Tank Kit, 140 Gallon	Tailgate	24-31
6		00012640 00012641 00012311 00012924	Tank Kit, 75 Gallon Tank Kit, 100 Gallon Tank Kit, 120 Gallon Tank Kit, Fender Mount, 35 Gallon, SS	RDS DuzMor	32-36
7		00071996 00016476 00012559 00083167 00031831 00047956	Tank Kit, 30 Gallon, Truck Mount Tank Kit, 50 Gallon, Truck Mount Tank Kit, 100 Gallon, Truck Mount Tank Kit, 120 Gallon, Truck Mount Tank Kit, 240 Gallon, Truck Mount Tank Kit, 90 Gallon, Truck Mount, SS	Chassis Mounted	37-42
OPTIONS	1	05050320 00046779 05050319	Bulk Fill Kit Bulk Fill and Flusher Kit, 140 Gallon Tank Flusher Kit		43 44 45
	1	05050311 00020043	Tank Cross Over Kit Quick Disconnect Kit		46 47
	1	05050322 -----	Sensor Kit, Tank, Multi-Level Low Level Sensor, Tank		48 49
	2	00011947	Tailgate Prop Weldment		50
	1	05037656	Auto Liquid Shutoff Switch		50
	1	00017725 00016129 00012990 00016130	Enclosure Mounting Kit, MV/MSV Enclosure Mounting Kit, Small Enclosure, V-Box Angle Mt. Enclosure Mounting Kit, RDS Enclosure Mounting Kit, DuzMor		51 52 53 54

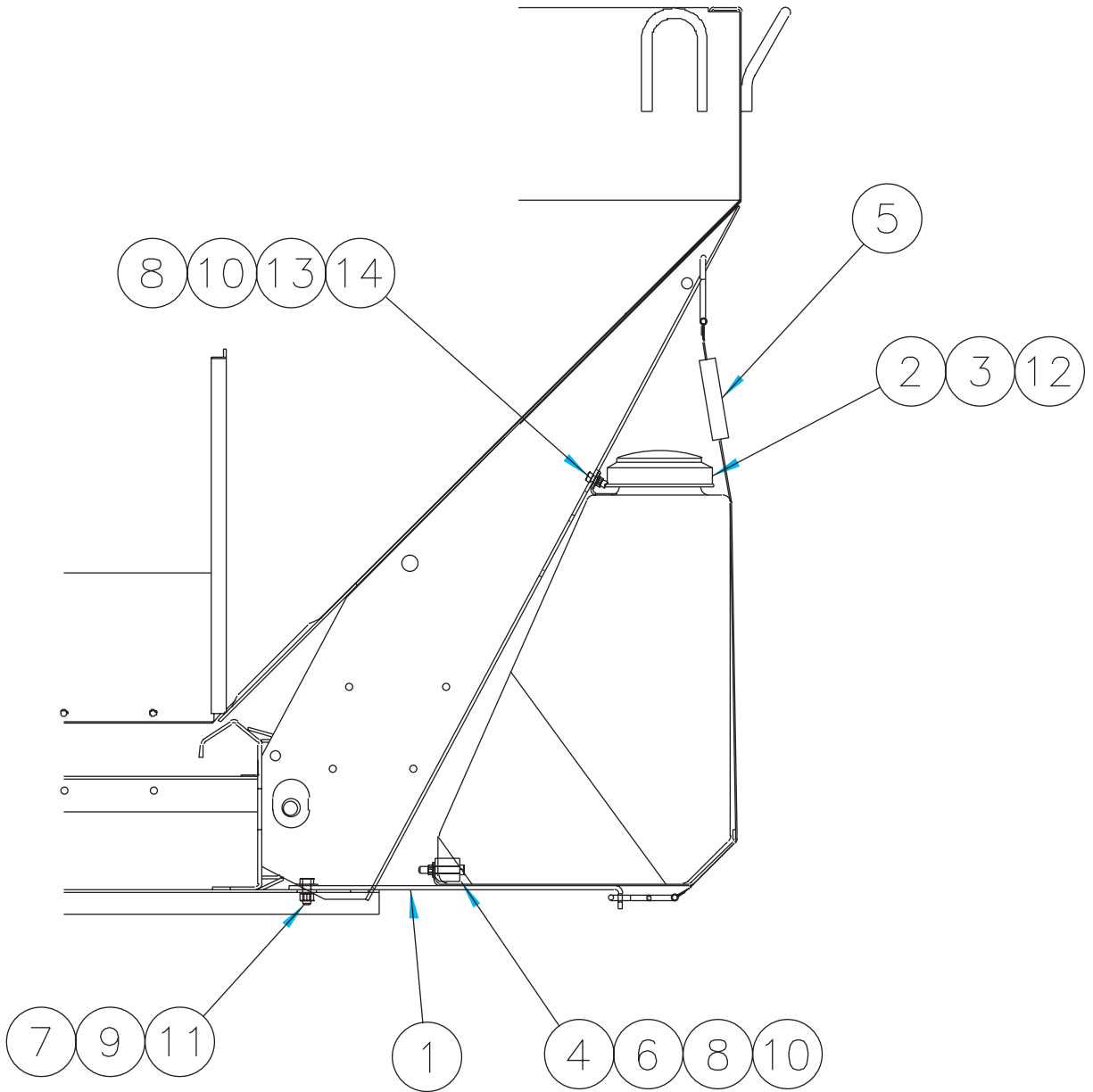
TANK KIT, MV/MSV, 75 GALLON



00014774 TANK KIT, 75 GALLON

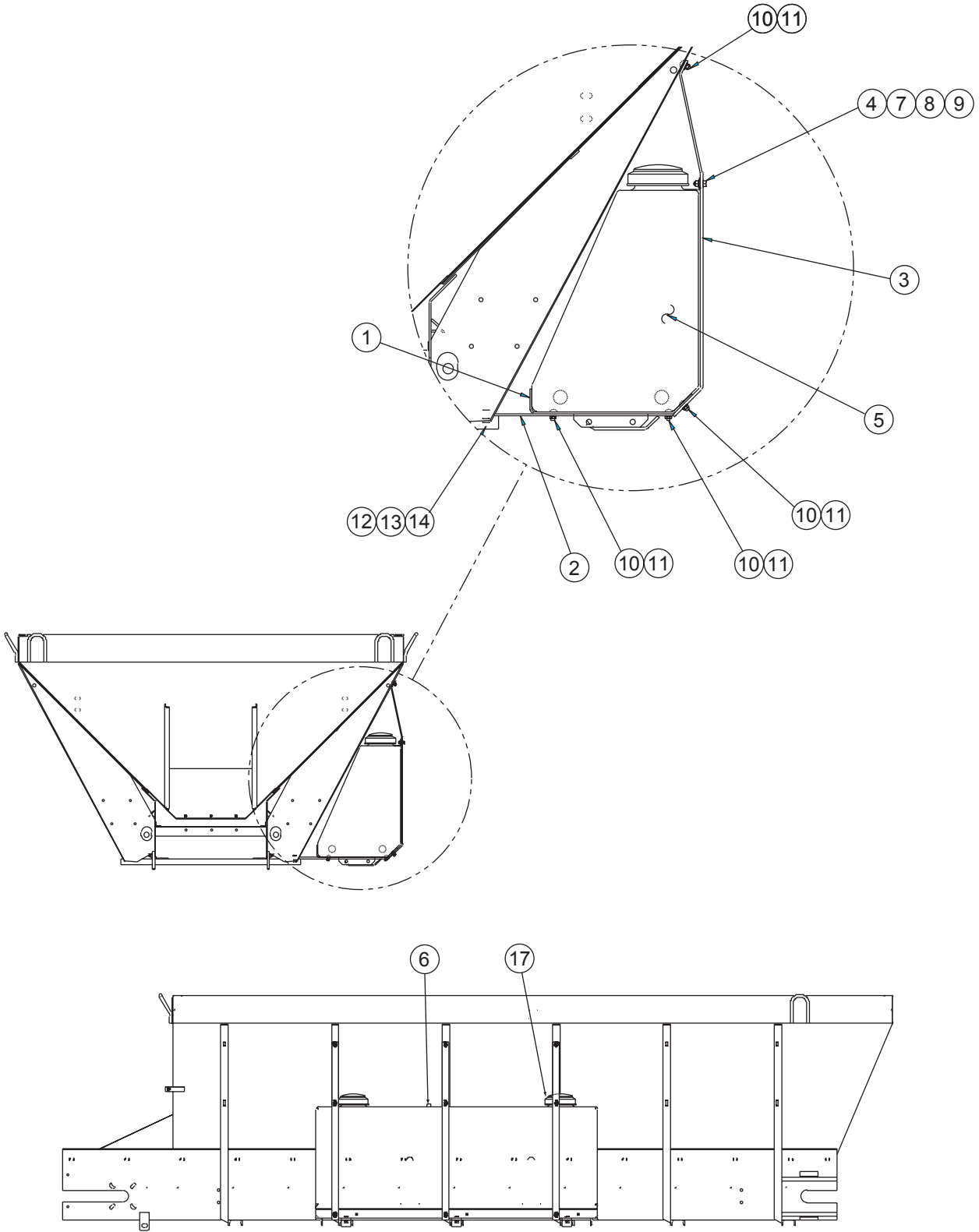
Item	Qty	Part Number	Description
1	2	00014731-A 00014731-B	Saddle Weldment, 75/100 Gallon Tank, MS Saddle Weldment, 75/100 Gallon Tank, SST
2	1	05050225	Tank, 75 Gallon
3	1	05050746	Breather, 1, Baffle Vent
4	2	05050259	Block, Tank Mount, HDPE
5	2	05052240	Ratchet Strap, 1" x 48" L w/ Wire
6	2	05010649 05016166	Bolt, 3/8-16 x 2 1/2, G8, HHCS, Zinc Bolt, 3/8-16 x 2 1/2, HHCS, SST
7	2	05010690 05016045	Bolt, 1/2-13 x 1 1/4, G8, HHCS, Zinc Bolt, 1/2-13 x 1 1/4, HHCS, SST
8	4	05020898 05020891	Nut, 3/8-16, GC, Top Lock, C&W Nut, 3/8-16, Nylon Lock, SST
9	2	05020847 05020908	Nut, 1/2-13, GC, Top Lock, C&W Nut, 1/2-13, Nylon Lock, SST
10	4	05021307 05021390	Washer, 3/8, Flat, Zinc Washer, 3/8, Flat, SST
11	2	05021309 05021391	Washer, 1/2, Flat, Zinc Washer, 1/2, Flat, SST
12	1	05052045	Warning Label
13	2	00083786-A 00083786-B	Hold Down Bracket, Tank, MS Hold Down Bracket, Tank, SST
14	2	05010643 05016034	Bolt, 3/8-16 x 1, G8, HHCS, Zinc Bolt, 3/8-16 x 1, HHCS, SST

TANK KIT, MV/MSV, 100 GALLON



00014735 TANK KIT, 100 GALLON

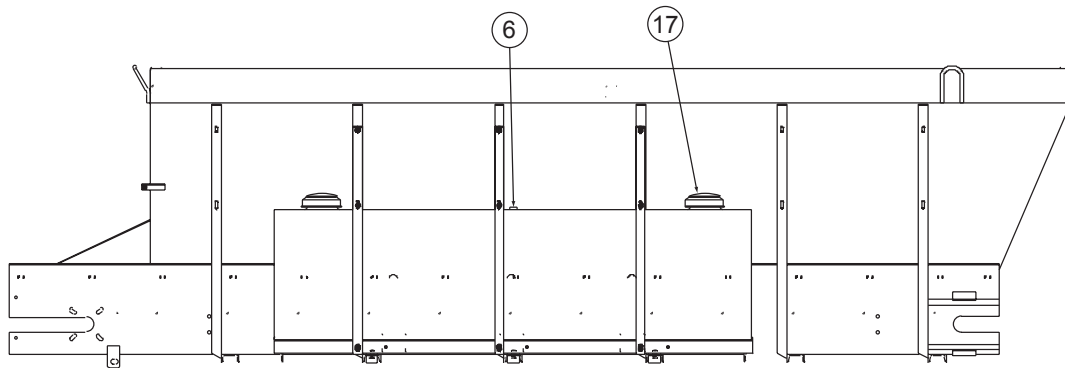
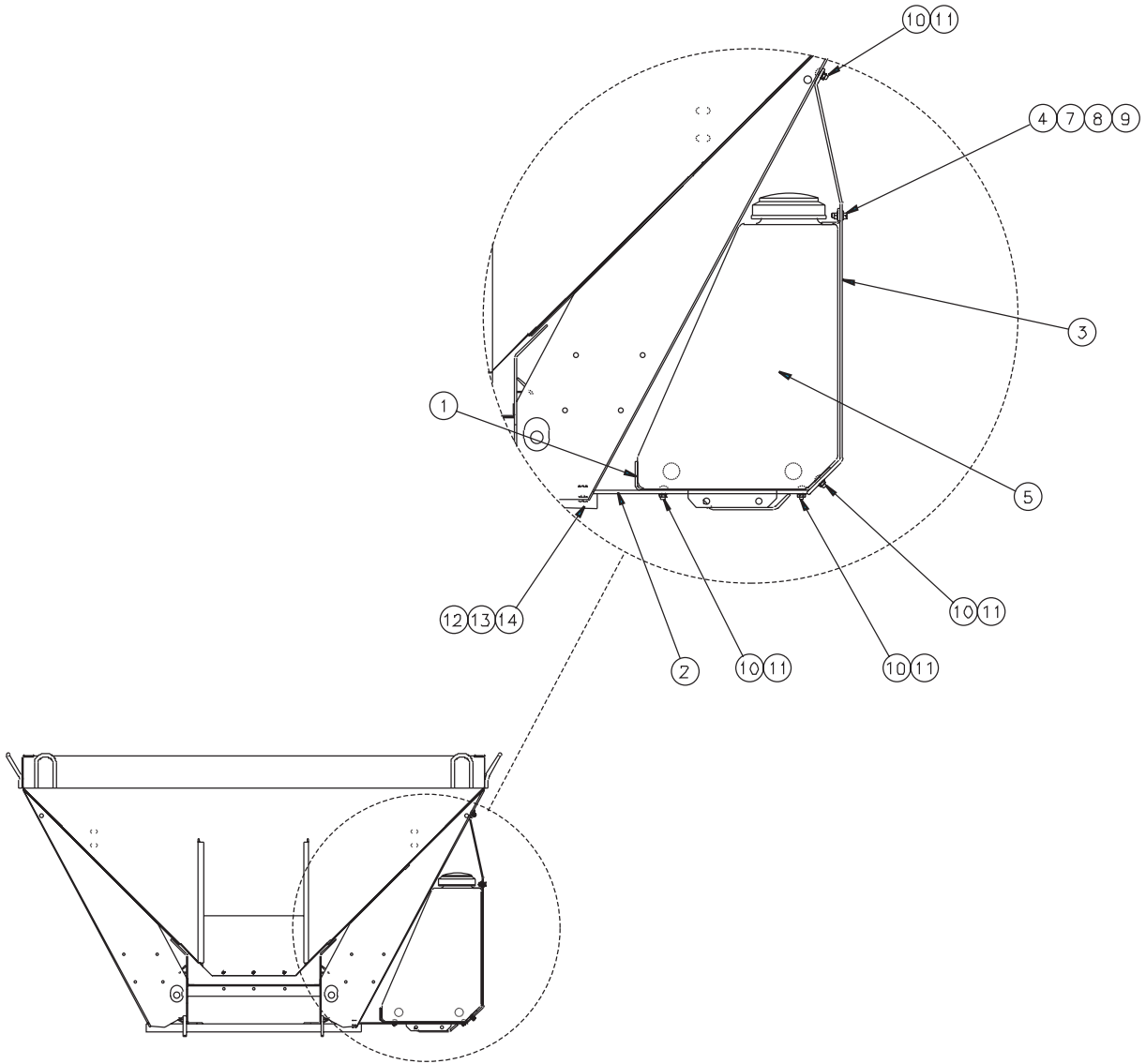
Item	Qty	Part Number	Description
1	3	00014731-A 00014731-B	Saddle Weldment, 75/100 Gallon Tank, MS Saddle Weldment, 75/100 Gallon Tank, SST
2	1	05050226	Tank, 100 Gallon
3	1	05050746	Breather, 1, Baffle Vent
4	2	05050259	Block, Tank Mount, HDPE
5	3	05052240	Ratchet Strap, 1" x 48" L w/ Wire
6	2	05010649 05016166	Bolt, 3/8-16 x 2 1/2, G8, HHCS, Zinc Bolt, 3/8-16 x 2 1/2, HHCS, SST
7	3	05010690 05016045	Bolt, 1/2-13 x 1 1/4, G8, HHCS, Zinc Bolt, 1/2-13 x 1 1/4, HHCS, SST
8	5	05020898 05020891	Nut, 3/8-16, GC, Top Lock, C&W Nut, 3/8-16, Nylon Lock, SST
9	3	05020847 05020908	Nut, 1/2-13, GC, Top Lock, C&W Nut, 1/2-13, Nylon Lock, SST
10	5	05021307 05021390	Washer, 3/8, Flat, Zinc Washer, 3/8, Flat, SST
11	3	05021309 05021391	Washer, 1/2, Flat, Zinc Washer, 1/2, Flat, SST
12	1	05052045	Warning Label
13	3	00083786-A 00083786-B	Hold Down Bracket, Tank, MS Hold Down Bracket, Tank, SST
14	3	05010643 05016034	Bolt, 3/8-16 x 1, G8, HHCS, Zinc Bolt, 3/8-16 x 1, HHCS, SST



00071869 TANK KIT, V-BOX, 75 GALLON, 5" LID

Item	Qty	Part Number	Description
1	1	00028301-A 00028301-B	Saddle Weldment, 75 Gallon, Wedge, MS Saddle Weldment, 75 Gallon, Wedge, 304 SST
2	3	00071862-A 00071862-B	Saddle Bracket Weldment, MS Saddle Bracket Weldment, 304 SST
3	3	00071866-A 00071866-B	Tank Strap, 75/100 Gallon, MS Tank Strap, 75/100 Gallon, 304 SST
4	3	00072890-A 00072890-B	Bracket, Hold Down, Tank, MS Bracket, Hold Down, Tank, 304 SST
5	1	05050225	Tank, 75 Gallon
6	1	05050746	Breather, 1" Baffle Vent
7	3	05010643 05016034	Bolt, 3/8-16 x 1, G8, HHCS, Zinc Bolt, 3/8-16 x 1, HHCS, SST
8	5	05020898 05020891	Nut, 3/8-16, GC, Top Lock, C&W Nut, 3/8-16, Nylon Lock, 316 SST
9	7	05021307 05021390	Washer, 3/8, Flat, Zinc Washer, 3/8, Flat, SST
10	12	05013986 05016003	Bolt, 3/8-16 x 1, G5, Carriage, Zinc Bolt, 3/8-16 x 1, SST
11	12	05020607 05020840	Nut, 3/8-16, Spin Lock, Zinc Nut, 3/8-16, Spin Lock, SST
12	3	05010764 05016275	Bolt, 3/4-10 x 2, G8, HHCS, Zinc Bolt, 3/4-10 x 2, HHCS, SST
13	3	05020849 05020905	Nut, 3/4-10, GC, Top Lock, C&W Nut, 3/4-10, Nylon Lock, 316 SST
14	3	05021312 05021302	Washer, 3/4, Flat, Zinc Washer, 3/4, Flat, SST
15	2	05050259	Block, Tank, Mount, HDPE
16	2	05010649 05016166	Bolt, 3/8-16 x 2 1/2, G8, HHCS, Zinc Bolt, 3/8-16 x 2 1/2, HHCS, SST

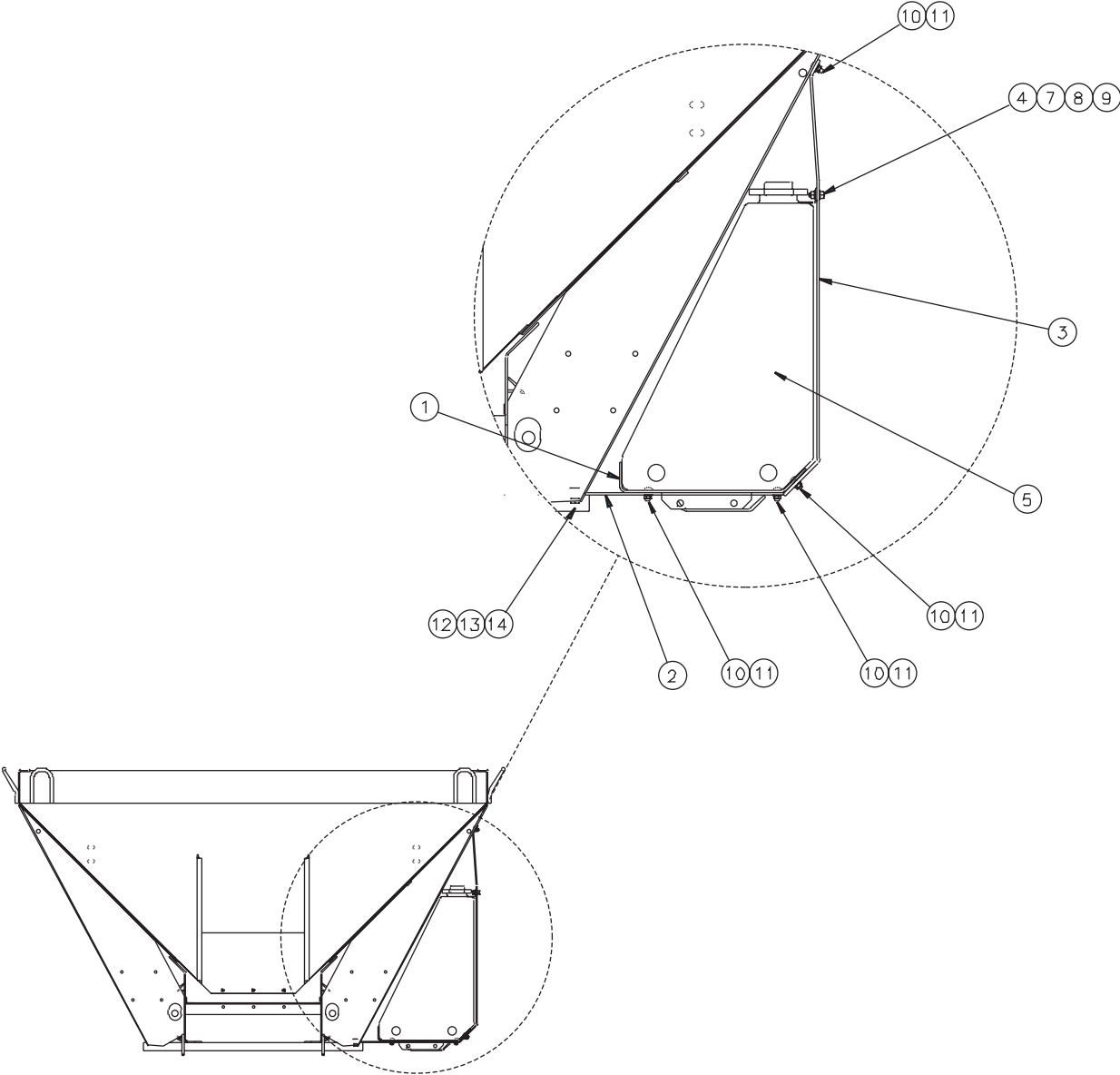
00071868 V-BOX, 100 GALLON, 5" LID



00071868 TANK KIT, V-BOX, 100 GALLON, 5" LID

Item	Qty	Part Number	Description
1	1	00026696-A 00026696-B	Saddle Weldment, 100 Gallon, Wedge, MS Saddle Weldment, 100 Gallon, Wedge, 304 SST
2	3	00071862-A 00071862-B	Saddle Bracket Weldment, MS Saddle Bracket Weldment, 304 SST
3	3	00071866-A 00071866-B	Tank Strap, 75/100 Gallon, MS Tank Strap, 75/100 Gallon, 304 SST
4	3	00072890-A 00072890-B	Bracket, Hold Down, Tank, MS Bracket, Hold Down, Tank, 304 SST
5	1	05050226	Tank, 100 Gallon
6	1	05050746	Breather, 1" Baffle Vent
7	3	05010643 05016034	Bolt, 3/8-16 x 1, G8, HHCS, Zinc Bolt, 3/8-16 x 1, HHCS, SST
8	5	05020898 05020891	Nut, 3/8-16, GC, Top Lock, C&W Nut, 3/8-16, Nylon Lock, 316 SST
9	7	05021307 05021390	Washer, 3/8, Flat, Zinc Washer, 3/8, Flat, SST
10	12	05013986 05016003	Bolt, 3/8-16 x 1, G5, Carriage, Zinc Bolt, 3/8-16 x 1, SST
11	12	05020607 05020840	Nut, 3/8-16, Spin Lock, Zinc Nut, 3/8-16, Spin Lock, SST
12	3	05010764 05016275	Bolt, 3/4-10 x 2, G8, HHCS, Zinc Bolt, 3/4-10 x 2, HHCS, SST
13	3	05020849 05020905	Nut, 3/4-10, GC, Top Lock, C&W Nut, 3/4-10, Nylon Lock, 316 SST
14	3	05021312 05021302	Washer, 3/4, Flat, Zinc Washer, 3/4, Flat, SST
15	2	05050259	Block, Tank, Mount, HDPE
16	2	05010649 05016166	Bolt, 3/8-16 x 2 1/2, G8, HHCS, Zinc Bolt, 3/8-16 x 2 1/2, HHCS, SST
17	1	05050286 05052056	Lid, Neck Style Filler, 5" Lid, Flush Mount with Ring, 5"

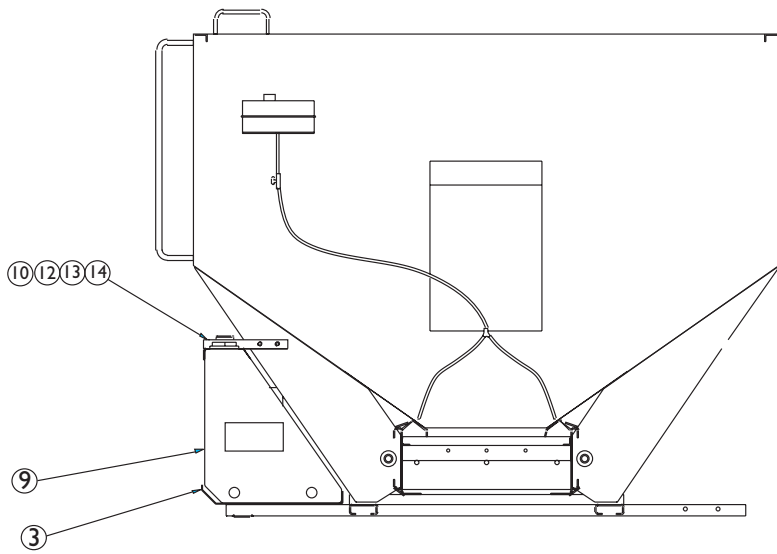
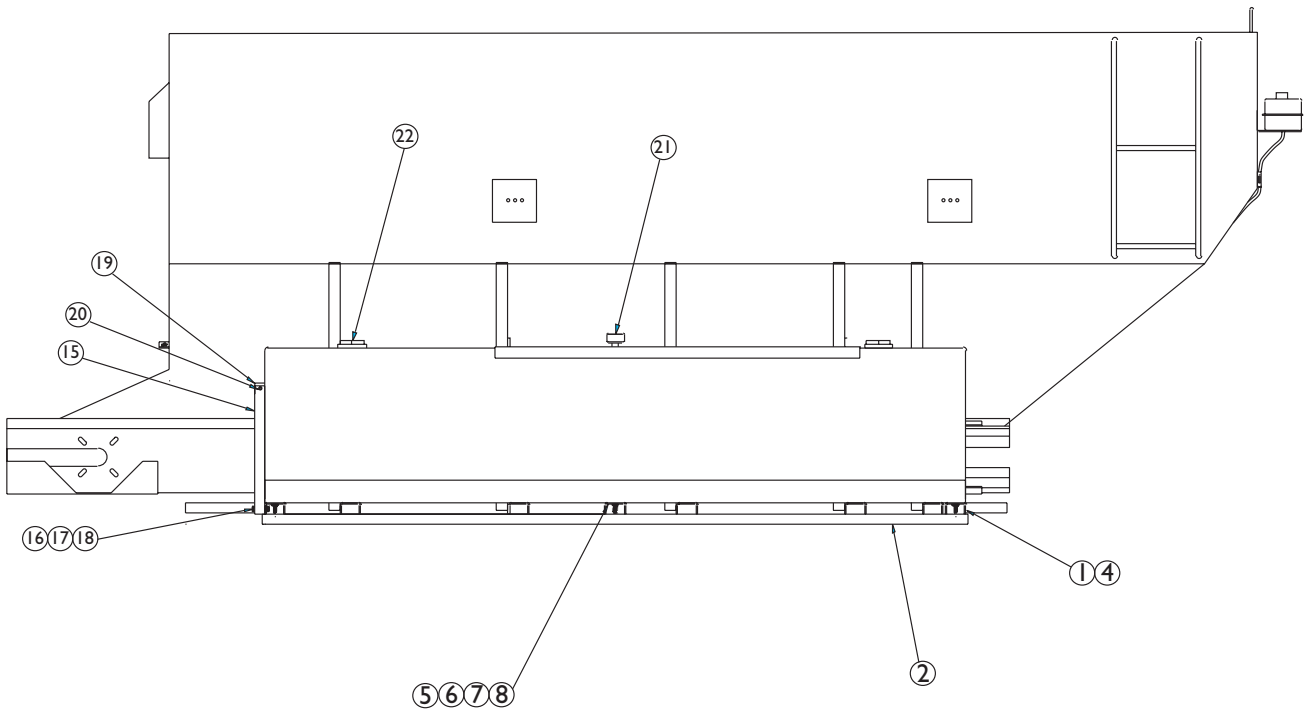
00071867 V-BOX, 100 GALLON, 3" LID, NARROW TANK



00071867 TANK KIT, V-BOX, 100 GALLON, 3" LID, NARROW TANK

Item	Qty	Part Number	Description
1	1	00070499-A 00070499-B	Saddle Weldment, 100 Gallon, Wedge, MS Saddle Weldment, 100 Gallon, Wedge, 304 SST
2	3	00071862-A 00071862-B	Saddle Bracket Weldment, MS Saddle Bracket Weldment, 304 SST
3	3	00071865-A 00071865-B	Tank Strap, 75/100 Gallon, MS Tank Strap, 75/100 Gallon, 304 SST
4	3	00072890-A 00072890-B	Bracket, Hold Down, Tank, MS Bracket, Hold Down, Tank, 304 SST
5	1	05050728	Tank, 100 Gallon, Poly
6	1	05050746	Breather, 1" Baffle Vent
7	3	05010643 05016034	Bolt, 3/8-16 x 1, G8, HHCS, Zinc Bolt, 3/8-16 x 1, HHCS, SST
8	5	05020898 05020891	Nut, 3/8-16, GC, Top Lock, C&W Nut, 3/8-16, Nylon Lock, 316 SST
9	7	05021307 05021390	Washer, 3/8, Flat, Zinc Washer, 3/8, Flat, SST
10	12	05013986 05016003	Bolt, 3/8-16 x 1, G5, Carriage, Zinc Bolt, 3/8-16 x 1, SST
11	12	05020607 05020840	Nut, 3/8-16, Spin Lock, Zinc Nut, 3/8-16, Spin Lock, SST
12	3	05010764 05016275	Bolt, 3/4-10 x 2, G8, HHCS, Zinc Bolt, 3/4-10 x 2, HHCS, SST
13	3	05020849 05020905	Nut, 3/4-10, GC, Top Lock, C&W Nut, 3/4-10, Nylon Lock, 316 SST
14	3	05021312 05021302	Washer, 3/4, Flat, Zinc Washer, 3/4, Flat, SST
15	2	05050259	Block, Tank, Mount, HDPE
16	2	05010649 05016166	Bolt, 3/8-16 x 2 1/2, G8, HHCS, Zinc Bolt, 3/8-16 x 2 1/2, HHCS, SST
17	1	05037508	Plug, 3 NPT, Poly

00031829 V-BOX MOUNTING, 120 GALLON, TANK KIT

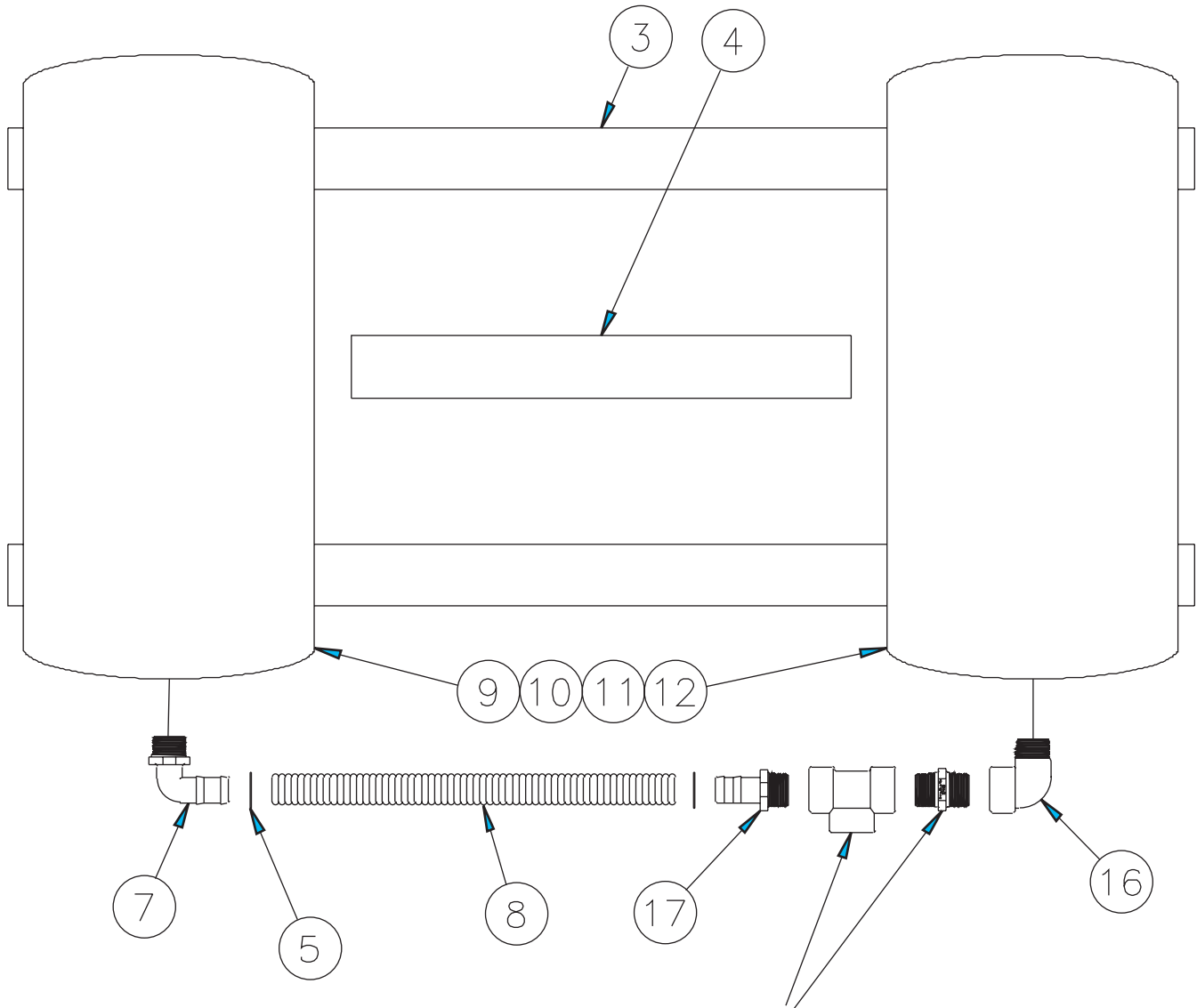


00031829 TANK KIT, V-BOX, 120 GALLON

Item	Qty	Part Number	Description
1	3	00033204-A 00033204-B	Cross Channel, MS Cross Channel, 304 SST
2	1	00033203-A 00033203-B	Side Channel, MS Side Channel, 304 SST
3	1	00033205-A 00033205-B	Tank Saddle, MS Tank Saddle, 304 SST
4	5	05013988 05016747	Bolt, 3/8-16 x 1 1/2, G5, Carriage, Zinc Bolt, 3/8-16 x 1 1/2, SST
5	2	05050577	Block, Tank Mount, HDPE
6	2	05010651 05016093	Bolt, 3/8-16 x 3, G8, HHCS, Zinc Bolt, 3/8-16 x 3, HHCS, SST
7	8	05021307 05021390	Washer, 3/8, Flat, Zinc Washer, 3/8, Flat, SST
8	8	05020898 05020891	Nut, 3/8-16, GC, Top Lock, C&W Nut, 3/8-16, Nylon Lock, 316 SST
9	1	05050366	Tank, 120 Gallon
10	1	00033210-A 00033210-B	Bracket, Retaining, MS Bracket, Retaining, 304 SST
12	4	05010618 05016138	Bolt, 5/16-18 x 1, G8, HHCS, Zinc Bolt, 5/16-18 x 1, HHCS, SST
13	4	05020909 05020907	Nut, 5/16-16, GC, Top Lock, Zinc Nut, 5/16-16, Nylon Lock, SST
14	4	05021306 05021404	Washer, 5/16, Flat, Zinc Washer, 5/16, Flat, SST
15	4	00039226-A 00039226-B	Mount, Pump, MS Mount, Pump, 304 SST
16	1	05010693 05016205	Bolt, 1/2-13 x 2, G8, HHCS, Zinc Bolt, 1/2-13 x 2, HHCS, SST
17	2	05021005 05021391	Washer, 1/2, Flat, Zinc Washer, 1/2, Flat, SST
18	2	05020847 05020908	Nut, 1/2-13, GC, Top Lock, C&W Nut, 1/2-13, Nylon Lock, SST
19	2	00012241-A 00012241-B	Pump Mount Brace, MS Pump Mount Brace, SST
20	1	05010641 05016161	Bolt, 3/8-16 x 3/4, G8, HHCS, Zinc Bolt, 3/8-16 x 3/4, HHCS, SST
*21	1	05050270	Breather, 3/4, NPT, 40 Microns
22	2	05037508	Plug, 3 NPT, Poly

* **NOTE:** 1" FNPT Spinweld requires 1" MNPT Breather (05050746)

00011720 PICK-UP V-BOX MOUNTING TANK KIT, 15 GALLON

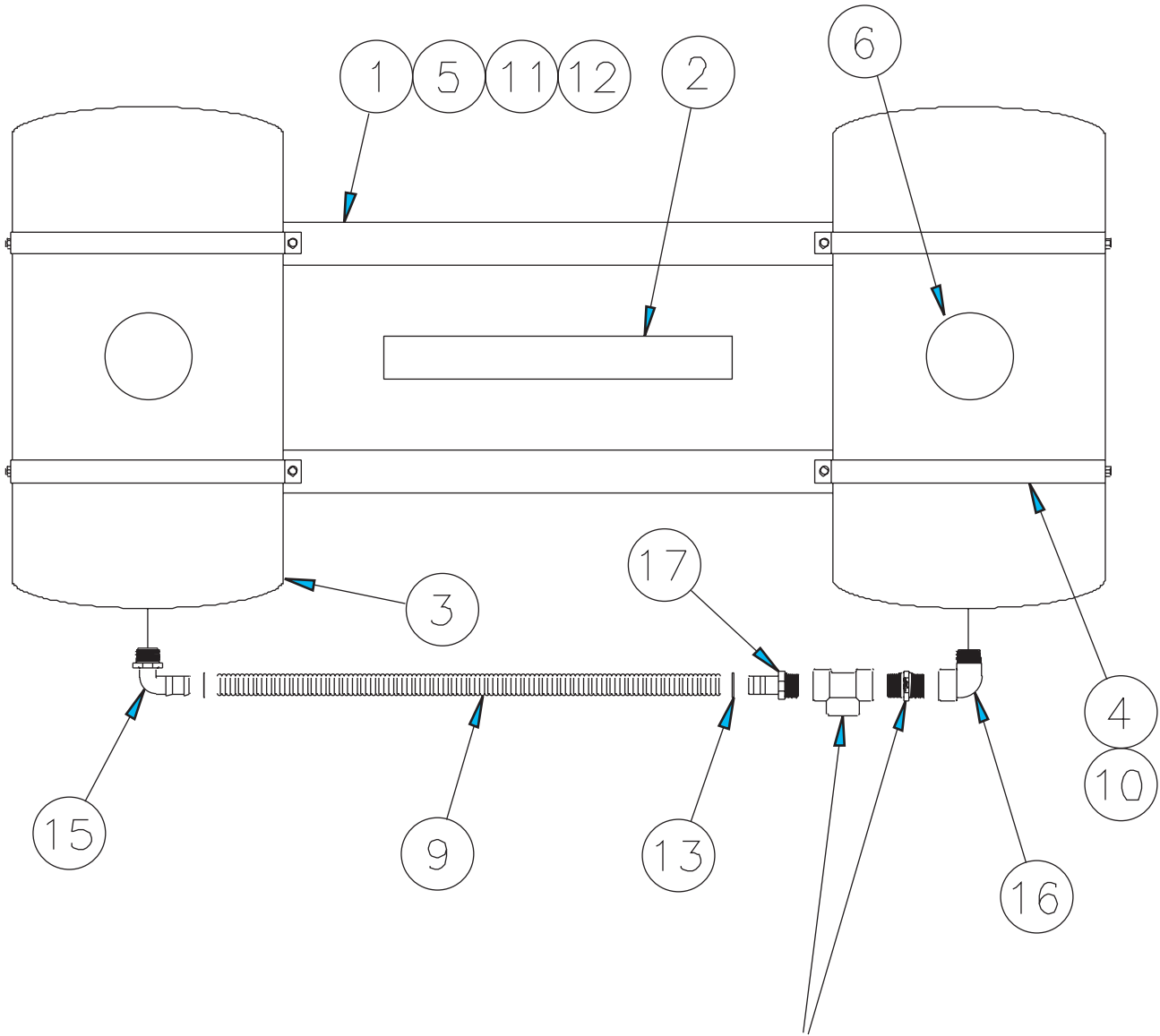


ITEMS ARE FOR REF ONLY

00011720 TANK KIT, MSPV, 15 GALLON

Item	Qty	Part Number	Description
1	1	00026667	Bracket, Nozzle Mount, RH
2	1	00026668	Bracket, Nozzle Mount, LH
3	2	00026678-A 00026678-B	Cross Channel Weldment, Long, MS Cross Channel Weldment, Long, 304 SST
4	1	00026679-A 00026679-B	Cross Channel Weldment, Short, MS Cross Channel Weldment, Short, 304 SST
5	2	05037283	Clamp,Hose, 1½" SST
6	1	05037310	Plug, 1¼" NPT, Poly
7	1	05037337	Hose Barb, 90°, 1¼" MNPT, Poly
8	3.8 FT	05038157	Hose, 1¼" ID, Black, Ribbed, EPDM
9	2	05050249	Tank, 15 Gallon, Poly
10	8	05010616 05016136	Bolt, ⅝-18 x ¾, G8, HHCS, Zinc Bolt, ⅝-18 x ¾, HHCS, SST
11	8	05021306 05021404	Washer, ⅝, Flat, Zinc Washer, ⅝, Flat, SST
12	8	05021364 05021407	Washer, ⅝, Lock, Zinc Washer, ⅝, Lock, SST
13	4	05010643 05016034	Bolt, ⅜-16 x 1, G8, HHCS, Zinc Bolt, ⅜-16 x 1, HHCS, SST
14	8	05021307 05021390	Washer, ⅜, Flat, Zinc Washer, ⅜, Flat, SST
15	6	05020898 05020891	Nut, ⅜-16, GC, Top Lock, C&W Nut, ⅜-16, Nylon Lock, SST
16	1	05037635	Elbow, 1¼" NPT, Poly, Street, 90°
17	1	05037396	Hose Barb, 1¼" NPT, Poly, Street, 90°
18	2	05050285	Lid Vented

PICK-UP V-BOX MOUNTING TANK KIT, 35 GALLON

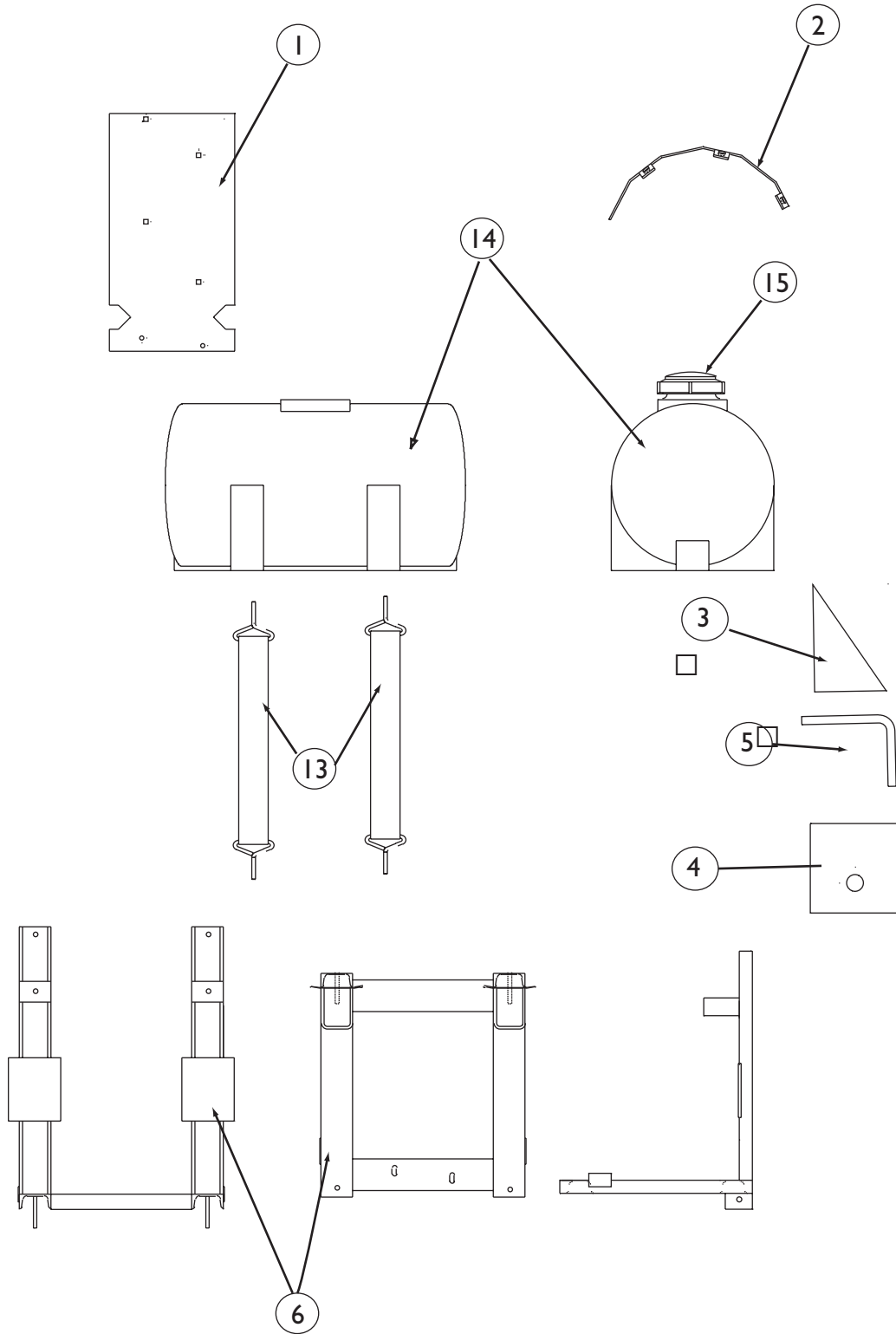


ITEMS ARE SHOWN FOR REF ONLY

00068258 TANK KIT, MSPV, 35 GALLON

Item	Qty	Part Number	Description
1	2	00068257-A 00068257-B	Cross Channel Weldment, Long, MS Cross Channel Weldment, Long, 304 SST
2	1	00026679-A 00026679-B	Cross Channel Weldment, Short, MS Cross Channel Weldment, Short, 304 SST
3	2	05050383	Tank, 35 Gallon, Poly
4	4	00068254-A 00068254-B	Band, Hold Down, MS Band, Hold Down, 304 SST
5	4	05013986 05016003	Bolt, 3/8-16 x 1, G5, Carriage, Zinc Bolt, 3/8-16 x 1, SST
6	2	05050285	Lid, Vented
7	1	00026667	Bracket, Nozzle Mount, RH
8	1	00026668	Bracket, Nozzle Mount, LH
9	5 FT	05038157	Hose, 1 1/4" Black, Ribbed, EPDM
10	12	05010643 05016034	Bolt, 3/8-16 x 1, G8, HHCS, Zinc Bolt, 3/8-16 x 1, HHCS, SST
11	32	05021307 05021390	Washer, 3/8, Flat, Zinc Washer, 3/8, Flat, SST
12	16	05020898 05020891	Nut, 3/8-16, GC, Top Lock, C&W Nut, 3/8-16, Nylon Lock, SST
13	2	05037283	Clamp, Hose, 1 1/2" SST
14	1	05037310	Plug, 1 1/4" NPT, Poly
15	2	05037337	Hose Barb, 90°, 1 1/4" MNPT, Poly
16	1	05037635	Elbow, 1 1/4" NPT, Poly, Street, 90°
17	1	05037396	Hose Barb, 1 1/4" x 1 1/4" MNPT, Poly, Straight

TAILGATE MOUNTING 35 GALLON TANK KIT

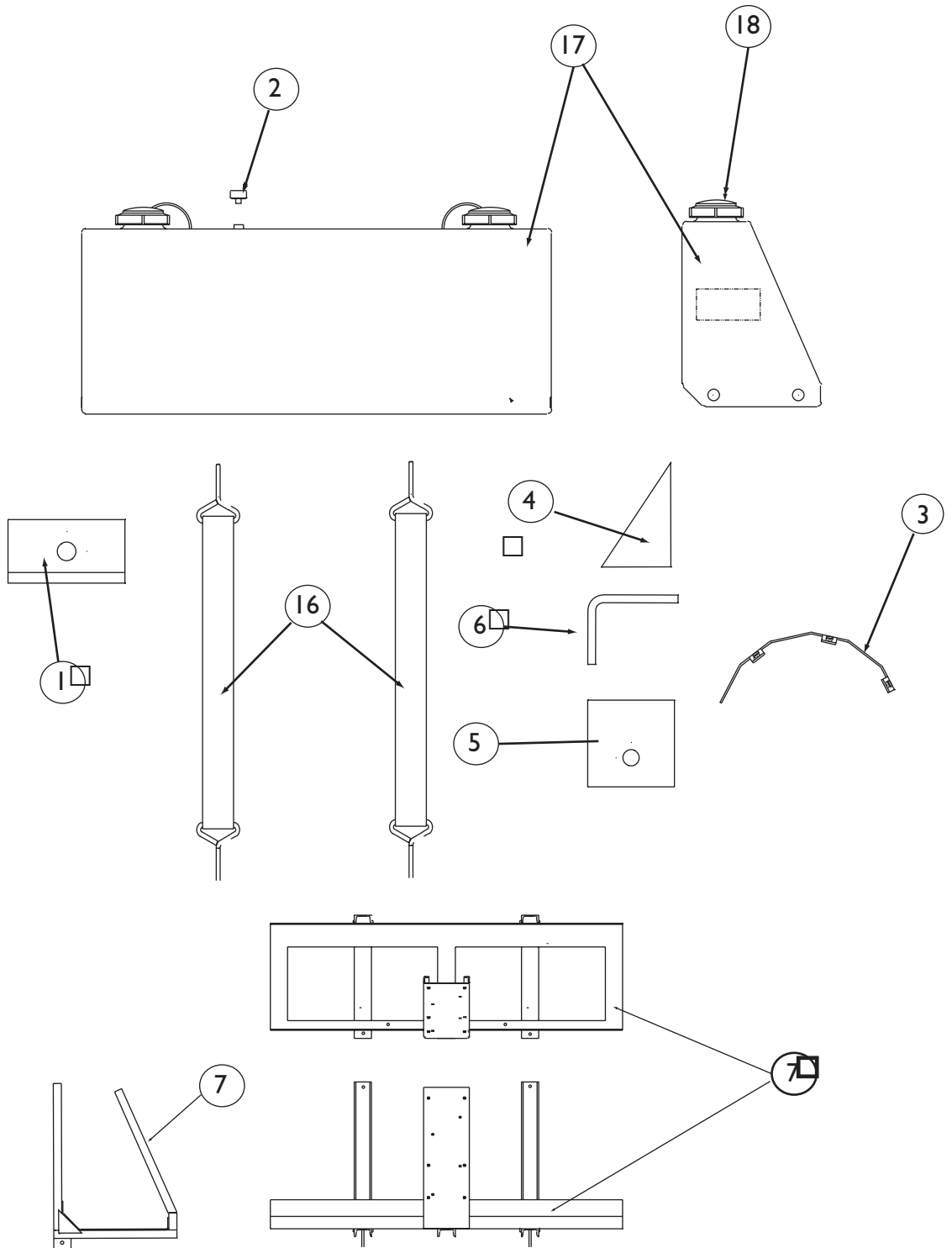


00031181 TANK KIT, TAILGATE, 35 GALLON,

Item	Qty	Part Number	Description
1	1	00025487-A 00025487-B	Bracket, Pump Enclosure Mounting, MS Bracket, Pump Enclosure Mounting, 304 SST
*2	1	00056108	Mounting Bar, 3 Nozzle, 304 SST
3	4	00029926-A 00029926-B	Gusset, 3 x 2 x ¼, MS Gusset, 3 x 2 x ¼, 304 SST
4	2	00029927-A 00029927-B	Mounting Bracket, Tank Saddle, MS Mounting Bracket, Tank Saddle, 304 SST
5	2	00029928 00050915	Angle, 4 x 3 x 3/8 x 3, MS Angle, 4 x 3 x 3/8 x 3, 304 SST
6	1	00031180-A 00031181-B	Saddle Weldment, Round, MS Saddle Weldment, Round, 304 SST
7	2	05010644 05016049	Bolt, ¾-16 x 1 ¼, G8, HHCS, Zinc Bolt, ¾-16 x 1 ¼, HHCS, SST
8	2	05010693 05016205	Bolt, ½-13 x 2, G8, HHCS, Zinc Bolt, ½-13 x 2, HHCS, SST
9	6	05020898 05020891	Nut, ¾-16, GC, Top Lock, C&W Nut, ¾-16, Nylon Lock, SST
10	2	05020847 05020908	Nut, ½-13, GC, Top Lock, C&W Nut, ½-13, Nylon Lock, SST
11	6	05021307 05021390	Washer, ¾, Flat, Zinc Washer, ¾, Flat, SST
12	2	05021309 05021391	Washer, ½, Flat, Zinc Washer, ½, Flat, SST
13	2	05050282	Strap Assembly, 3 Red Nylon, 32" Long
14	1	05050383	Tank, 35 Gallon
15	1	05050285	Lid Vented

* **NOTE:** Old style circular nozzle ring (00026672-B)

TAILGATE MOUNTING 75 GALLON TANK KIT



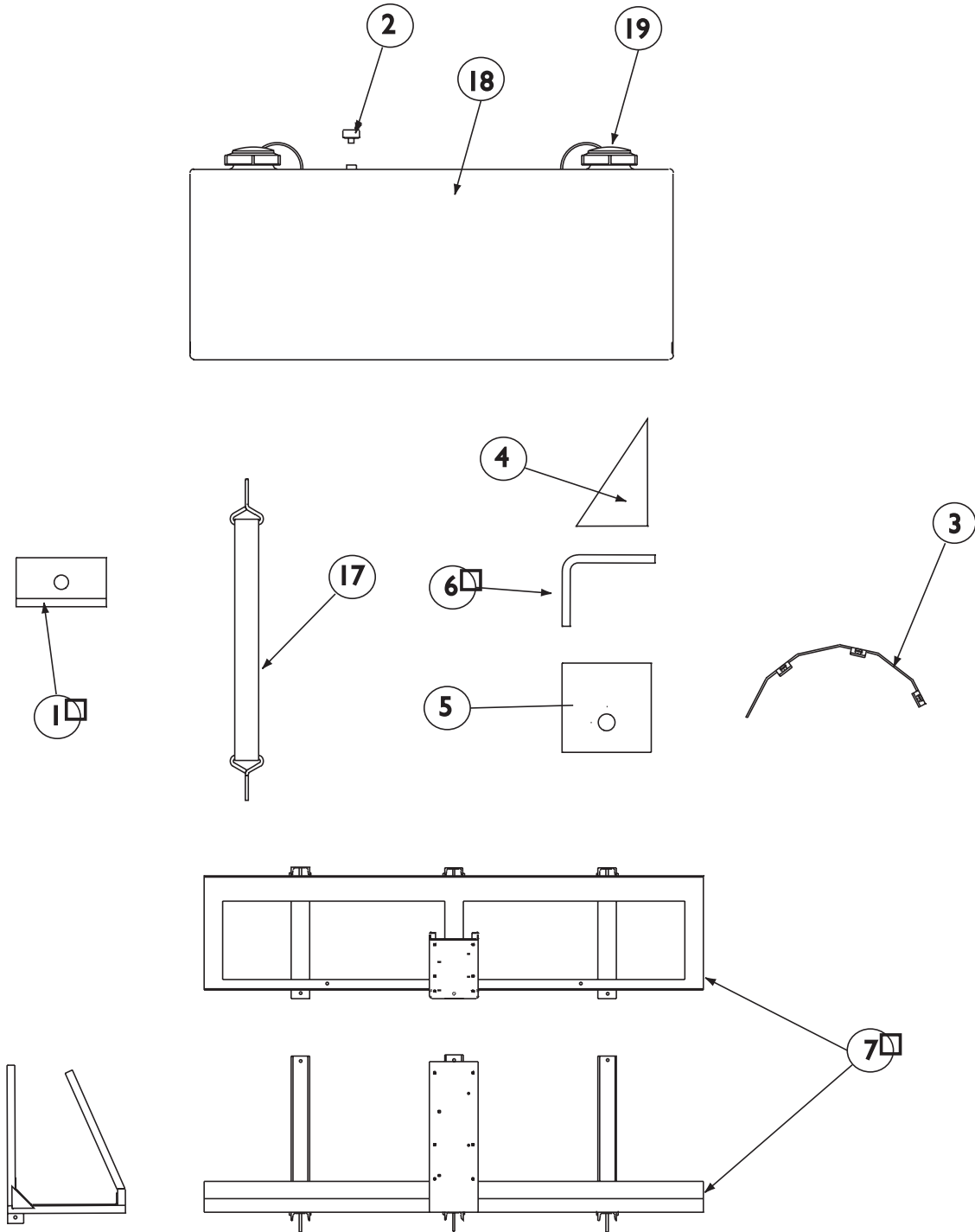
00011699 TANK KIT, TAILGATE, 75 GALLON

Item	Qty	Part Number	Description
1	1	05050259	Block, Tank Mount, HDPE
*2	1	05050270	Breather, ¾" NPT, 40 Microns
**3	1	00056108	Mounting Bar, 3 Nozzle, 304 SST
4	4	00029926-A 00029926-B	Gusset, 3 x 2 x ¼, MS Gusset, 3 x 2 x ¼, SST
5	2	00029927-A 00029927-B	Mounting Bracket, MS Mounting Bracket, 304 SST
6	2	00029928 00050915	Angle, 4 x 3 x ¾ x 3, Ms Angle, 4 x 3 x ¾ x 1, 304 SST
7	1	00026665-A 00026665-B	Saddle Weldment, MS Saddle Weldment, 304 SST
8	4	05016986	Bolt, ¼-20 x 1, Carriage, SST
9	2	05010648 05016166	Bolt, ¾ -16 x 2 ¼, G8, HHCS, Zinc Bolt, ¾ -16 x 2 ¼, HHCS, SST
10	2	05010644 05016049	Bolt, ¾ -16 x 1 ¼, HHCS, Zinc Bolt, ¾ -16 x 1 ¼, HHCS, SST
11	2	05010693 05016205	Bolt, ½-13 x 2, G8, HHCS, Zinc Bolt, ½-13 x 2, HHCS, SST
12	8	05020898 05020891	Nut, ¾ -16, GC, Top Lock, C&W Nut, ¾ -16, Nylon Lock, SST
13	2	05020847 05020908	Nut, ½-13, GC, Top Lock, C&W Nut, ½-13, Nylon Lock, SST
14	8	05021307 05021390	Washer, ¾, Flat, Zinc Washer, ¾, Flat, SST
15	2	05021309 05021391	Washer, ½, Flat, Zinc Washer, ½, Flat, SST
16	2	05050283	Strap Assembly, 3 Red Nylon, 38" Long
17	1	05050225	Tank, 75 Gallon
18	1	05050286 05052056	Lid Neck Style Filler, 5" Lid Flush Mount With Ring, 5"
19	4	05020904	Bolt, ¼-20, Spin Lock, SST

***NOTE:** 1" FNPT Spinweld requires 1" MNPT Breather (05050746)

**** NOTE:** Old style circular nozzle ring (00026672-B)

TAILGATE MOUNTING 100 GALLON TANK KIT



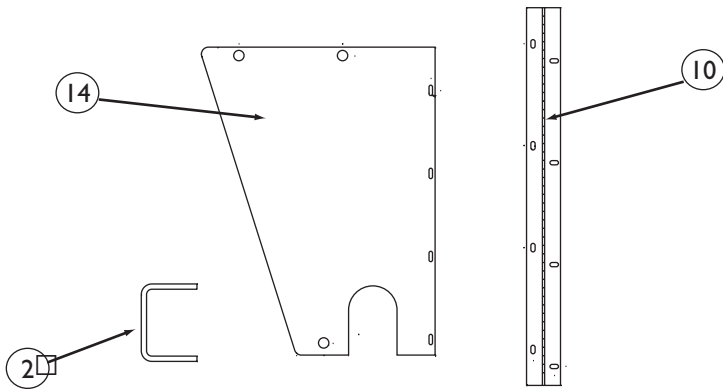
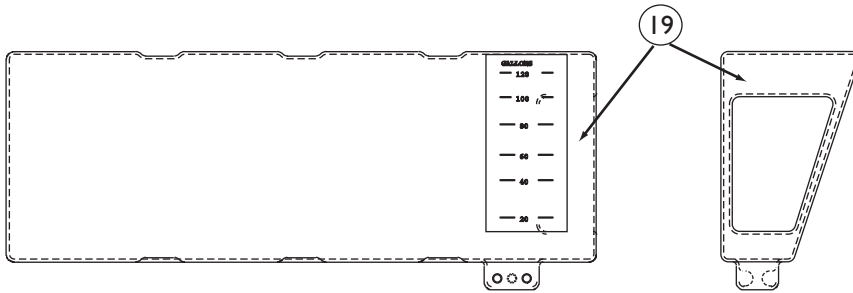
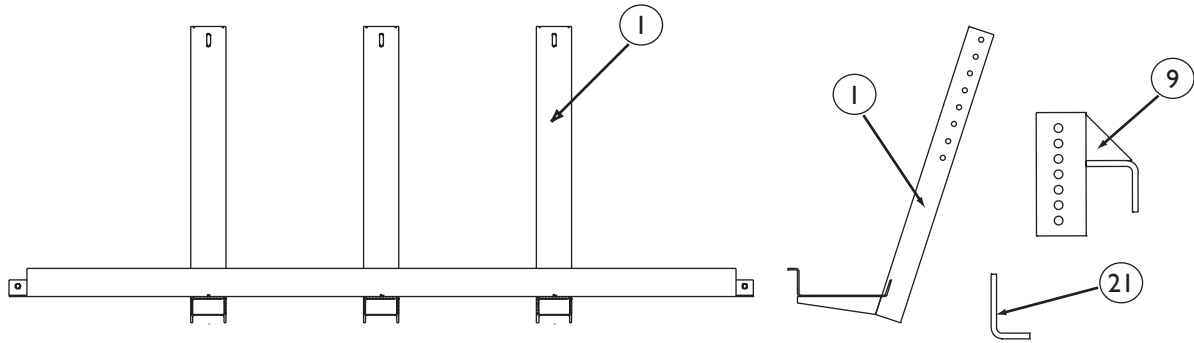
0001699 TANK KIT, TAILGATE, 100 GALLON

Item	Qty	Part Number	Description
1	1	05050259	Block, Tank Mount, HDPE
*2	1	05050270	Breather, ¾" NPT, 40 Microns
**3	1	00056108	Mounting Bar, 3 Nozzle, 304 SST
4	4	00029926-A 00029926-B	Gusset, 3 x 2 x ¼, MS Gusset, 3 x 2 x ¼, SST
5	2	00029927-A 00029927-B	Mounting Bracket, MS Mounting Bracket, 304 SST
6	2	00029928 00050915	Angle, 4 x 3 x ¾ x 3, Ms Angle, 4 x 3 x ¾ x 1, 304 SST
7	1	00026687-A 00026687-B	Saddle Weldment, MS Saddle Weldment, 304 SST
9	4	05016986	Bolt, ¼-20 x 1, Carriage, SST
11	2	05010648 05016166	Bolt, ¾ -16 x 2 ¼, G8, HHCS, Zinc Bolt, ¾ -16 x 2 ¼, HHCS, SST
8	2	05010644 05016049	Bolt, ¾ -16 x 1 ¼, HHCS, Zinc Bolt, ¾ -16 x 1 ¼, HHCS, SST
10	2	05021306 05021404	Washer, ⅝, Flat, Zinc Washer, ⅝, Flat, SST
12	8	05020898 05020891	Nut, ¾ -16, GC, Top Lock, C&W Nut, ¾ -16, Nylon Lock, SST
13	2	05020847 05020908	Nut, ½-13, GC, Top Lock, C&W Nut, ½-13, Nylon Lock, SST
14	8	05021307 05021390	Washer, ¾, Flat, Zinc Washer, ¾, Flat, SST
15	2	05021309 05021391	Washer, ½, Flat, Zinc Washer, ½, Flat, SST
16	2	05050283	Strap Assembly, 3 Red Nylon, 38" Long
17	1	05050226	Tank, 100 Gallon
18	1	05050286 05052056	Lid Neck Style Filler, 5" Lid Flush Mount With Ring, 5"
19	4	05020904	Bolt, ¼-20, Spin Lock, SST

***NOTE:** 1" FNPT Spinweld requires 1" MNPT Breather (05050746)

**** NOTE:** Old style circular nozzle ring (00026672-B)

TAILGATE MOUNTING 140 GALLON TANK KIT

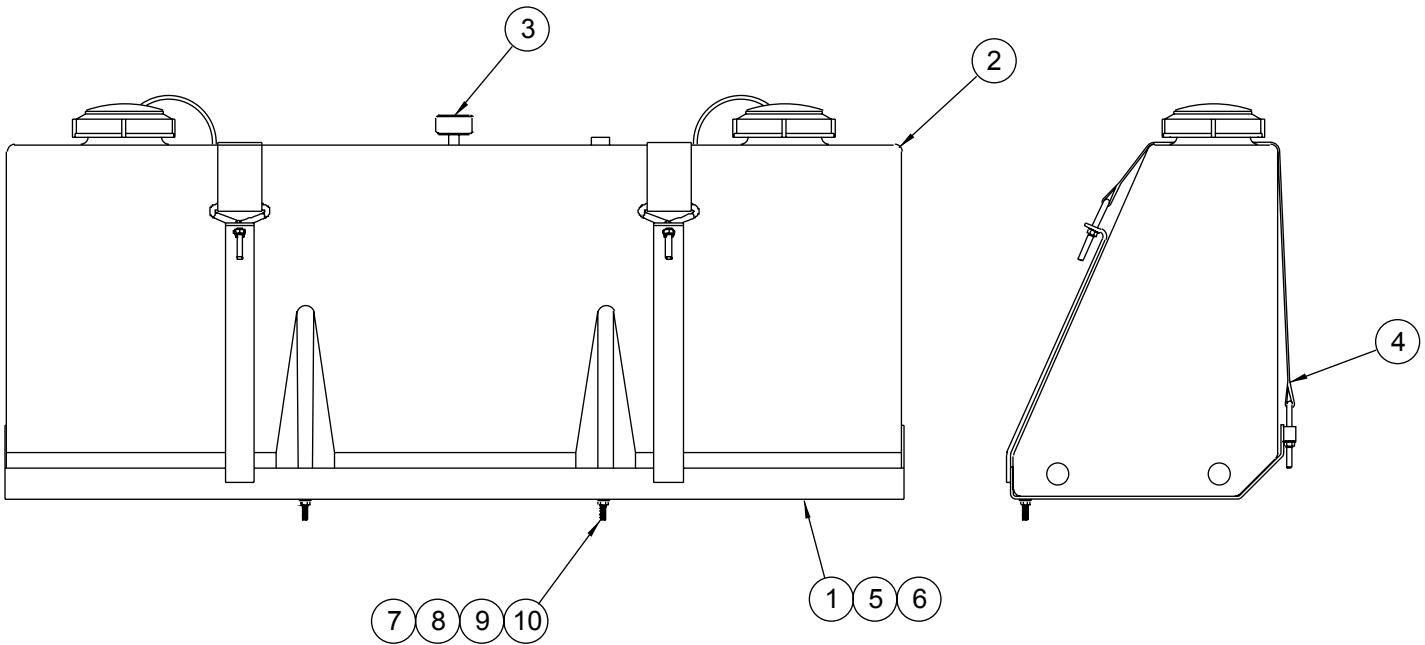


00065253 TANK KIT, TAILGATE, 140 GALLON

Item	Qty	Part Number	Description
1	1	00045016-A 00045016-B	Saddle Weldment, MS Saddle Weldment, 304 SST
2	2	00045059-A 00045059-B	Support Channel, MS Support Channel, 304 SST
3	4	05010643 05016034	Bolt, 3/8-16 x 1, G8, HHCS, Zinc Bolt, 3/8-16 x 1, HHCS, SST
4	8	05021307 05021390	Washer, 3/8, Flat, Zinc Washer, 3/8, Flat, SST
5	4	05020898 05020891	Nut, 3/8-16, GC, Top Lock, C&W Nut, 3/8-16, Nylon Lock, SST
6	18	05010690 05016045	Bolt, 1/2-13 x 1 1/4, G8, HHCS, Zinc Bolt, 1/2-13 x 1 1/4, HHCS, SST
7	18	05021309 05021391	Washer, 1/2, Flat, Zinc Washer, 1/2, Flat, SST
8	18	05020847 05020908	Nut, 1/2-13, GC, Top Lock, C&W Nut, 1/2-13, Nylon Lock, SST
9	3	00045011-A 00045011-B	Hanger Weldment, MS Hanger Weldment, 304 SST
10	1	00045073	Hinge, Cover, Pump
11	8	05010591 05016113	Bolt, 1/2-20 x 3/4, G8, HHCS, Zinc Bolt, 1/2-20 x 3/4, HHCS, SST
12	4	05021363 05021393	Washer, 1/2, Lock, Zinc Washer, 1/2, Lock, SST
13	12	05021305 05021403	Washer, 1/2, Flat, Zinc Washer, 1/2, Flat, SST
14	1	00045067-A 00045067-B	Cover Pump, Tank, MS Cover Pump, Tank, 304 SST
15	4	05020536 05020906	Nut, 1/2-20, G2, Nylon Lock, Zinc Nut, 1/2-20, G2, Nylon Lock, SST
16	3	05016936	Screw, 5/16-18 x 3/4, Thumb, SST
17	3	05021364 05021407	Washer, 5/16, Lock, Zinc Washer, 5/16, Lock, SST
18	3	05021160 05021412	Washer, 5/16x 1 1/4, Fender, Zinc Washer, 5/16x 1 1/4, Fender, SST
19	1	05050561	Tank, 140 Gallon, Orange
20	3	05050590	Strap Assembly, 3" Yellow, Poly, 48" Long w/ Bolt
21	2	00047932-A 00047932-B	Stop Tank, MS Stop Tank, 304 SST
22	1.3 FT	05050135	Trim, Channel Black
23	1	05050654	Cover
24	1	05050652	Fillwell, 10" DIA Threaded, Poly
25	9	05050703	Rivet, 3/16 x 3/4 L, SS
26	1	05050704	Lid Retainer, Poly

***NOTE:** White Tank (05052060)

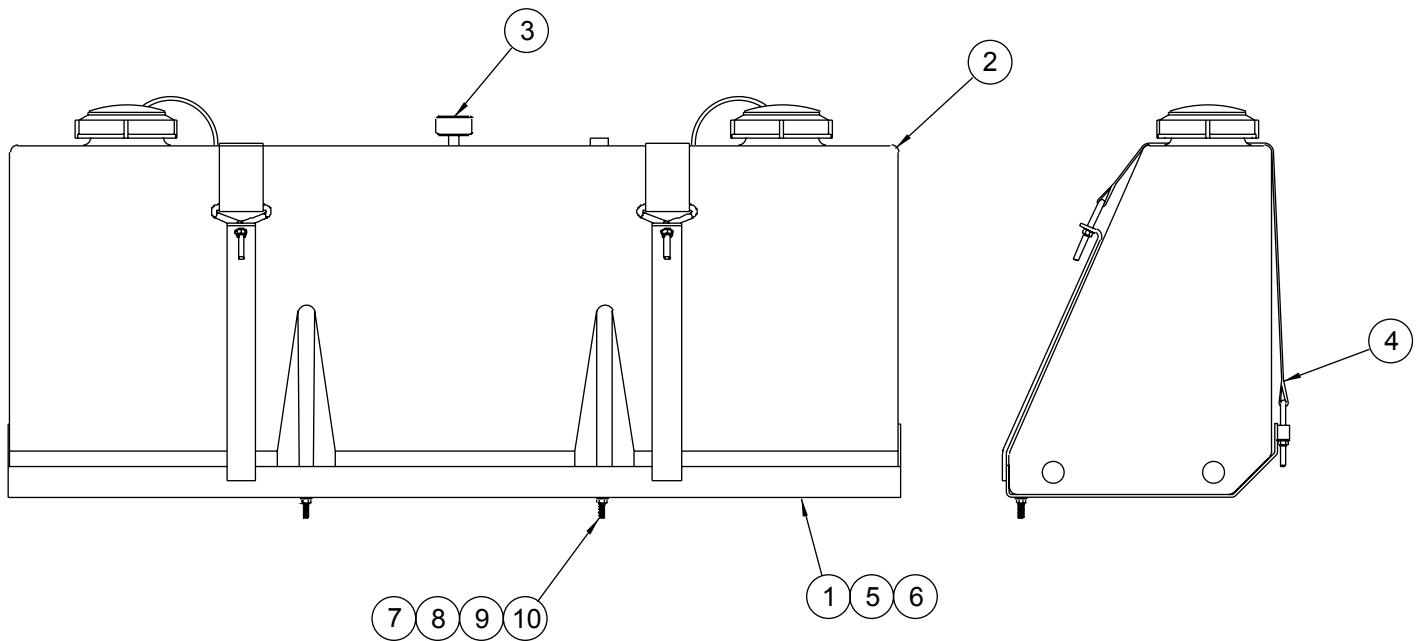
RDS MOUNTING TANK KIT, 75 GALLON



00012640 TANK KIT, RDS, 75 GALLON			
Item	Qty	Part Number	Description
1	1	00038936-A 00038936-B	Saddle Weldment, 75 Gallon, MS Saddle Weldment, 75 Gallon, 304 SST
2	1	05050225	Tank, 75 Gallon
*3	1	05050270	Breather, 3/4" NPT, 40 Microns
4	2	05050283	Strap Assembly, 3" Nylon, 38" Long
5	6	05013986 05016003	Bolt, 3/8-16 x 1, G5, Carriage, Zinc Bolt, 3/8-16 x 1, Carriage, SST
6	6	05020607 05020840	Nut, 3/8-16, G2, Spin Lock, Zinc Nut, 3/8-16, Spin Lock, SST
7	2	05050259	Block, Tank Mount, HDPE
8	2	05010649 05016166	Bolt, 3/8-16 x 2 1/2, G8, HHCS, Zinc Bolt, 3/8-16 x 2 1/2, HHCS, SST
9	6	05021307 05021390	Washer, 3/8, Flat, Zinc Washer, 3/8, Flat, SST
10	6	05020898 05020891	Nut, 3/8-16, GC, Top Lock, C&W Nut, 3/8-16, Nylon Lock, SST
11	1	05050286 05052056	Lid, Neck Style Filler, 5" Lid, Flush Mount with Ring, 5"

***NOTE:** 1" FNPT Spinweld requires 1" MNPT Breather (05050746)

RDS MOUNTING TANK KIT, 100 GALLON

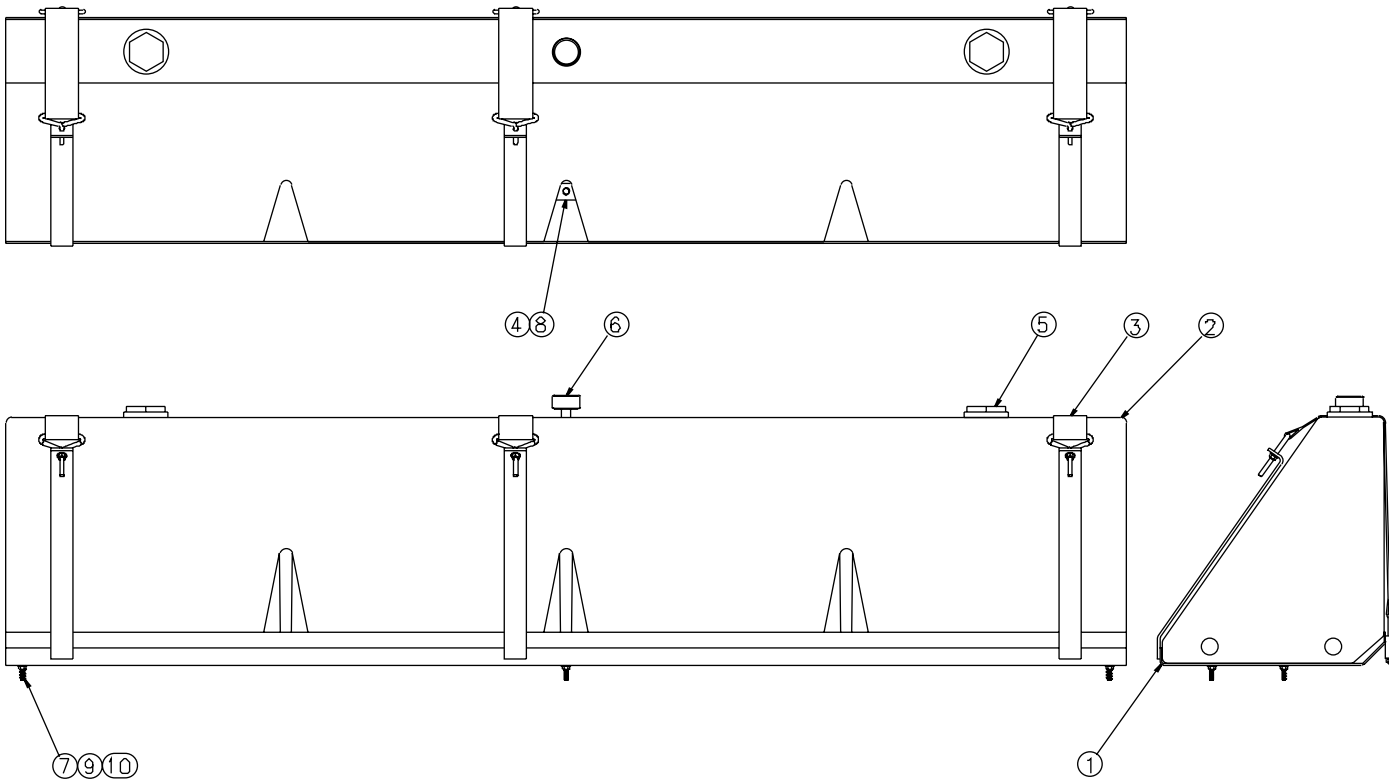


00012641 TANK KIT, RDS, 100 GALLON

Item	Qty	Part Number	Description
1	1	00038970-A 00038970-B	Saddle Weldment, 100 Gallon, MS Saddle Weldment, 100 Gallon, 304 SST
2	1	05050226	Tank, 100 Gallon
*3	1	05050270	Breather, 3/4" NPT, 40 Microns
4	2	05050283	Strap Assembly, 3" Nylon, 38" Long
5	8	05013986 05016003	Bolt, 3/8-16 x 1, G5, Carriage, Zinc Bolt, 3/8-16 x 1, Carriage, SST
6	8	05020607 05020840	Nut, 3/8-16, G2, Spin Lock, Zinc Nut, 3/8-16, Spin Lock, SST
7	2	05050259	Block, Tank Mount, HDPE
8	2	05010649 05016166	Bolt, 3/8-16 x 2 1/2, G8, HHCS, Zinc Bolt, 3/8-16 x 2 1/2, HHCS, SST
9	8	05021307 05021390	Washer, 3/8, Flat, Zinc Washer, 3/8, Flat, SST
10	8	05020898 05020891	Nut, 3/8-16, GC, Top Lock, C&W Nut, 3/8-16, Nylon Lock, SST
11	1	05050286 05052056	Lid, Neck Style Filler, 5" Lid, Flush Mount with Ring, 5"

***NOTE:** 1" FNPT Spinweld requires 1" MNPT Breather (05050746)

RDS/DUZMOR TANK MOUNTING KIT, 120 GALLON

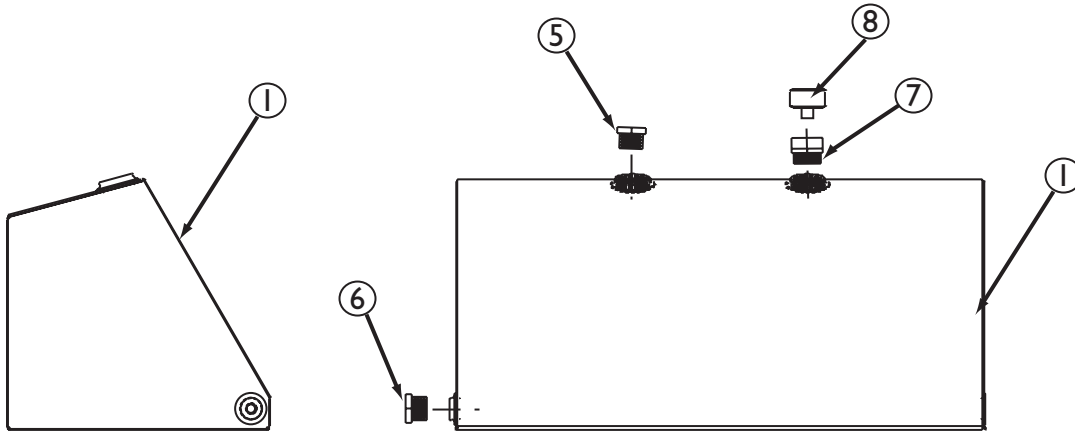


00012311 TANK KIT, RDS/DUZMOR, 120 GALLON

Item	Qty	Part Number	Description
1	1	00038930-A 00038930-B	Saddle Weldment, MS Saddle Weldment, 304 SST
2	1	05050366	Tank, 120 Gallon
3	3	05050282	Strap Assembly, 3" Red Nylon, 32" Long
4	2	05050577	Bock, Tank Mount, HDPE
5	2	05037508	Plug, 3" NPT, Poly
6	1	05050270	Breather, ¾" NPT, 40 Microns
7	5	05013988 05016747	Bolt, ¾-16 x 1½, Carraige, Zinc Bolt, ¾-16 x 1½, Carraige, SST
8	2	05010651 05016093	Bolt, ¾-16 x 1½, G8, HHCS, Zinc Bolt, ¾-16 x 1½, HHCS, SST
9	13	05021307 05021390	Washer, ¾, Flat, Zinc Washer, ¾, Flat, SST
10	13	05020898 05020891	Nut, ¾-16, GC, Top Lock, C&W Nut, ¾-16, Nylon Lock, SST

***NOTE:** 1" FNPT Spinweld requires 1" MNPT Breather (05050746)

FENDER MOUNTING TANK KITS, 35 GALLON

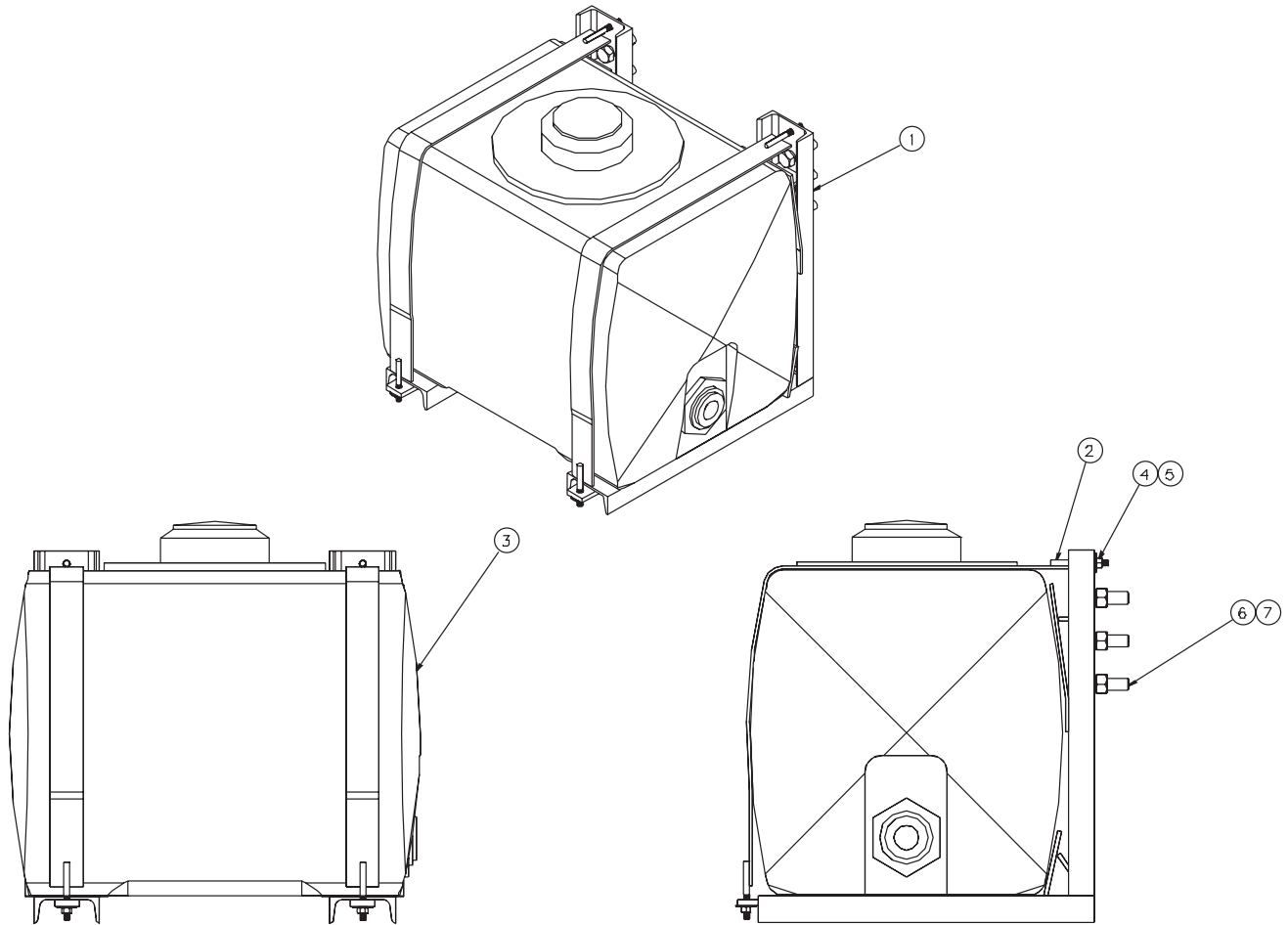


00012924 FENDER MOUNTING KIT, 35 GALLON

Item	Qty	Part Number	Description
1	1	00065404	Tank Weldment
2	4	05016034	Bolt, 3/8-16 x 1, HHCs, SST
3	4	05020891	Nut, 3/8-16, Nylon Lock, 316 SST
4	4	05021390	Washer, 3/8, Flat, SST
5	1	05037763	Plug, 1 1/2" NPT, Poly
6	1	05038082	Plug, 3/4" NPT, Poly
7	1	05038414	Bushing, Reducer, 1 1/2" MNPT x 1" FNPT, Poly
8	1	05050270	Breather, 3/4" NPT, 40 Microns

* Note: 1" FNPT Bushing (05038414) requires 1" MNPT Breather (05050746)

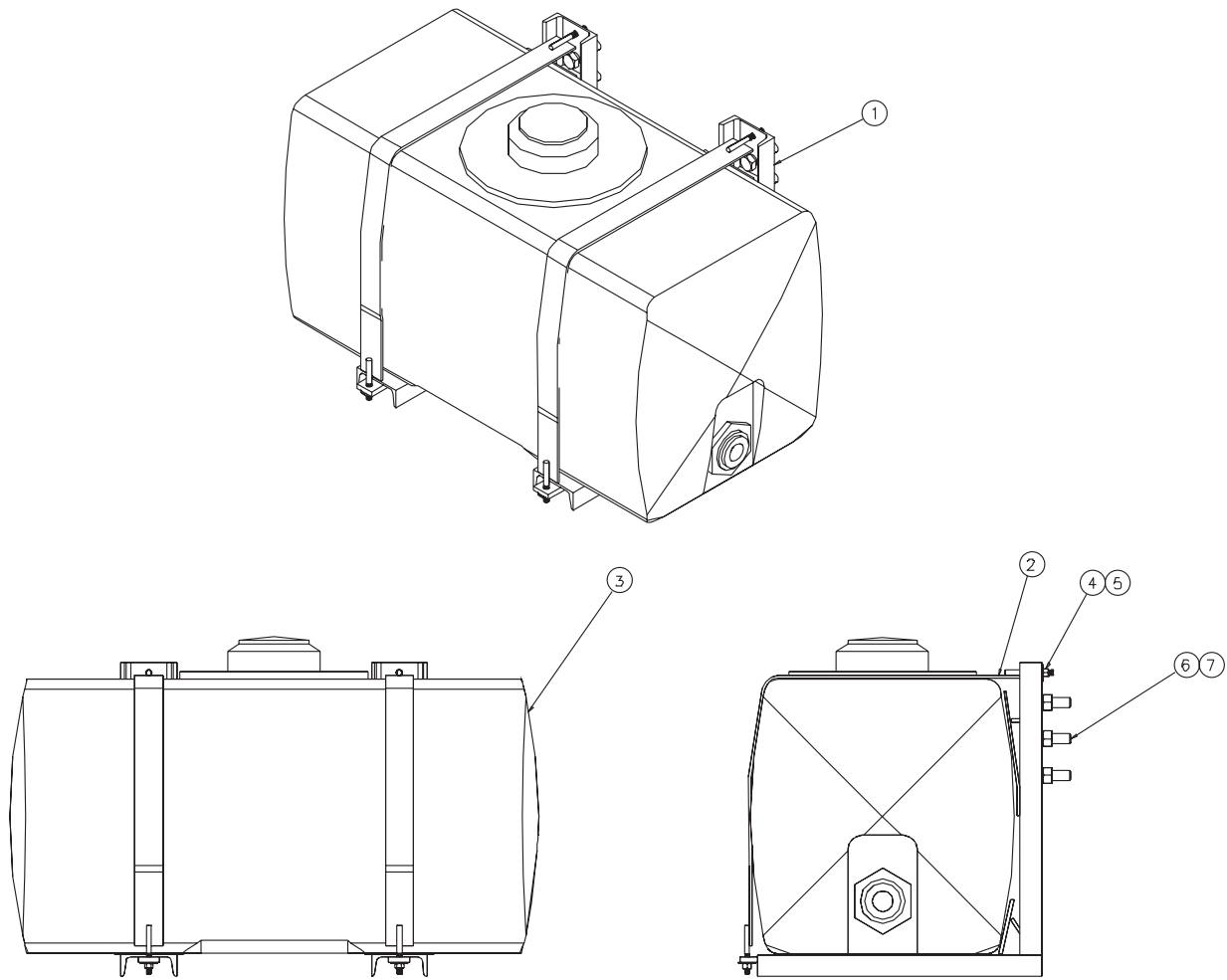
TRUCK MOUNTING KIT, 30 GALLON



00071996 TRUCK MOUNTING KIT, 30 GALLON

Item	Qty	Part Number	Description
1	2	00071997-A 00071997-B	Saddle Weldment, 30 Gallon, MS Saddle Weldment, 30 Gallon, 304 SST
2	2	00072305-A 00072305-B	Strap Weldment, Tank, 30 Gallon, MS Strap Weldment, Tank, 30 Gallon, 304 SST
3	1	05051850	Tank, 30 Gallon
4	4	05021307 05021390	Washer, $\frac{3}{8}$, Flat, Zinc Washer, $\frac{3}{8}$, Flat, SST
5	4	05020898 05020891	Nut, $\frac{3}{8}$ -16, GC, Top Lock, C&W Nut, $\frac{3}{8}$ -16, Nylon Lock, 316 SST
6	6	05010766 05016279	Bolt, $\frac{3}{4}$ -10 x 2 $\frac{1}{2}$, G8, HHCS, Zinc Bolt, $\frac{3}{4}$ -10 x 2 $\frac{1}{2}$, HHCS, SST
7	6	05020849 05020905	Nut, $\frac{3}{4}$ -10, GC, Top Lock, C&W Nut, $\frac{3}{4}$ -10, Nylon Lock, 316 SST
8	1	05037310	Plug, 1 $\frac{1}{4}$ " NPT, Poly
9	1	05051779	Lid, Vented

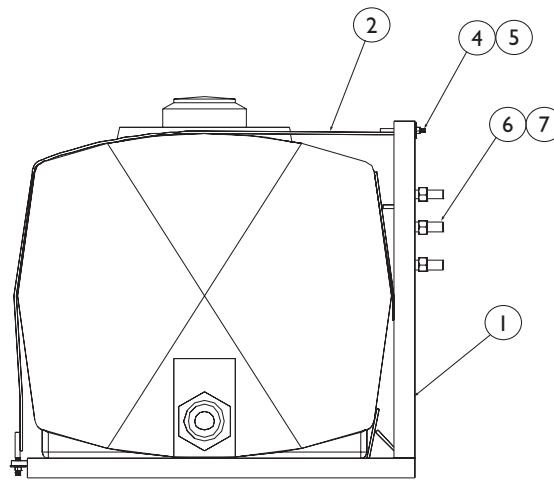
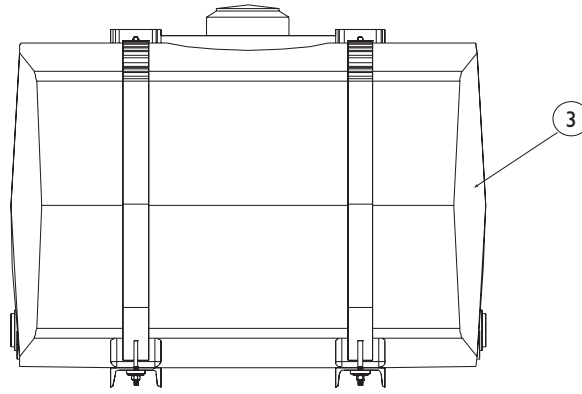
TRUCK MOUNTING KIT, 50 GALLON



00016476 TRUCK MOUNTING KIT, 50 GALLON

Item	Qty	Part Number	Description
1	2	00071997-A 00071997-B	Saddle Weldment, 30 Gallon, MS Saddle Weldment, 30 Gallon, SST
2	2	05051862	Strap Assembly, 3" Nylon, 42" Long
3	1	05050946	Tank, 50 Gallon
4	4	05021307 05021390	Washer, 3/8", Flat, Zinc Washer, 3/8", Flat, SST
5	4	05020898 05020891	Nut, 3/8"-16, GC, Top Lock, C&W Nut, 3/8"-16, Nylon Lock, SST
6	6	05010766 05016279	Bolt, 3/4"-10 x 2 1/2", G8, HHCS, Zinc Bolt, 3/4"-10 x 2 1/2", HHCS, SST
7	6	05020849 05020905	Nut, 3/4"-10, GC, Top Lock, C&W Nut, 3/4"-10, Nylon Lock, SST
8	1	05037310	Plug, 1 1/4" NPT, Poly
9	1	05051779	Lid, Vented

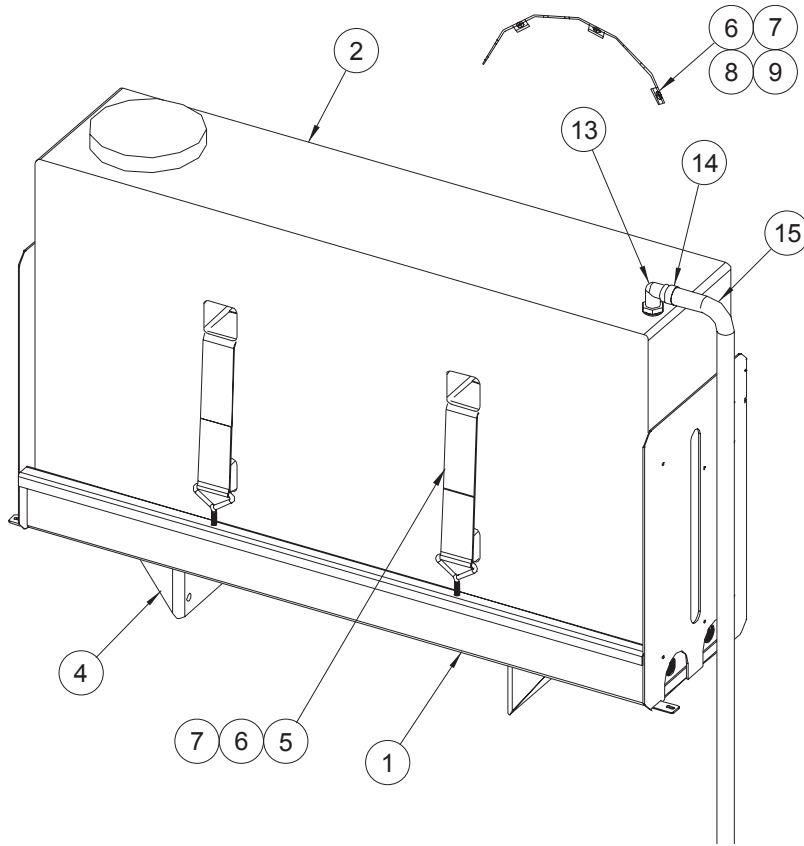
TRUCK MOUNTING KIT, 100 GALLON



00012559 TRUCK MOUNTING KIT, 100 GALLON

Item	Qty	Part Number	Description
1	2	00058691-A 00058691-B	Saddle Weldment, 100 Gallon, MS Saddle Weldment, 100 Gallon, SST
2	2	00059618-A 00059618-B	Strap Weldment, 100 Gallon, MS Strap Weldment, 100 Gallon, SST
3	1	05050594	Tank, 100 Gallon
4	4	05021307 05021390	Washer, $\frac{3}{8}$, Flat, Zinc Washer, $\frac{3}{8}$, Flat, SST
5	4	05020898 05020891	Nut, $\frac{3}{8}$ -16, GC, Top Lock, C&W Nut, $\frac{3}{8}$ -16, Nylon Lock, SST
6	6	05010766 05016279	Bolt, $\frac{3}{4}$ -10 x 2 $\frac{1}{2}$, G8, HHCS, Zinc Bolt, $\frac{3}{4}$ -10 x 2 $\frac{1}{2}$, HHCS, SST
7	6	05020849 05020905	Nut, $\frac{3}{4}$ -10, GC, Top Lock, C&W Nut, $\frac{3}{4}$ -10, Nylon Lock, SST
8	1	05037310	Plug, 1 $\frac{1}{4}$ " NPT, Poly
9	1	05051779	Lid, Vented

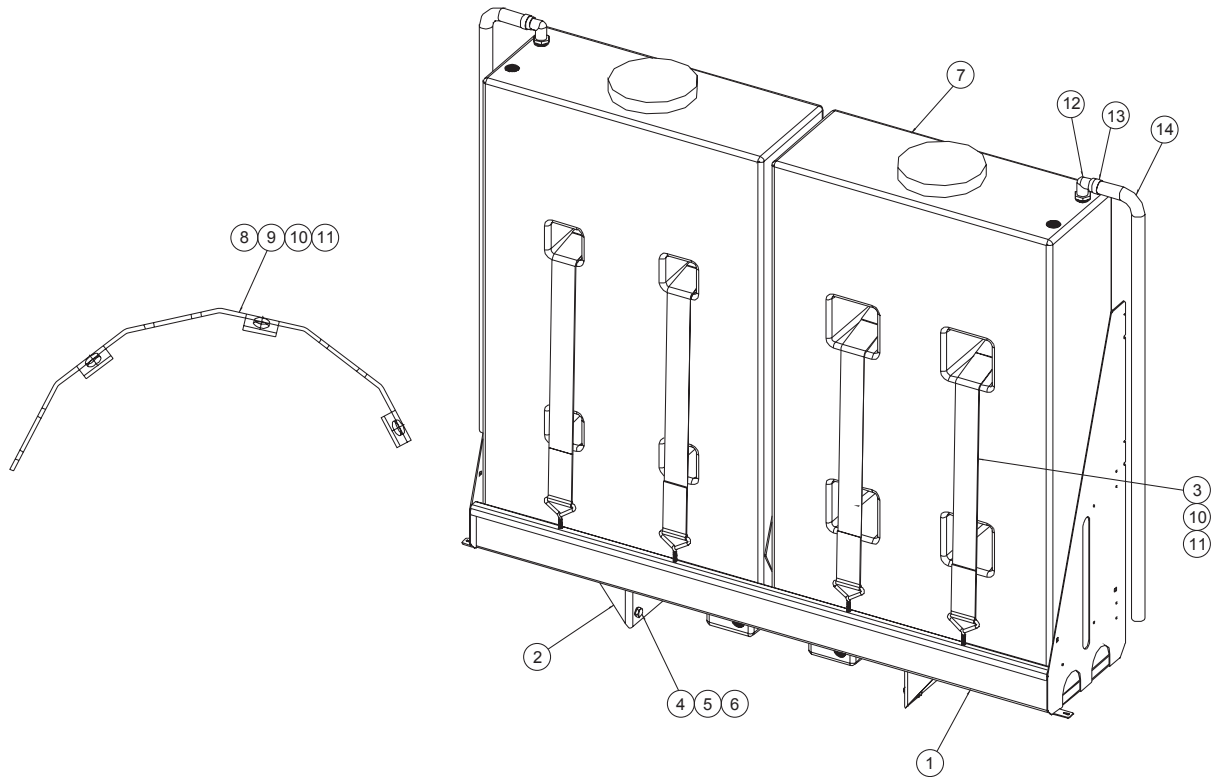
TRUCK MOUNTING KIT, 120 GALLON



00083167 TANK KIT, 120 GALLON, CAB/CHASSIS, POLY

Item	Qty	Part Number	Description
1	1	00083161-A 00083161-B	Saddle Weldment, 120 Gallon, MS Saddle Weldment, 120 Gallon, SST
2	1	05051792	Tank, 120 Gallon
3	1	05052045	Decal, Warning
4	2	00071322-A 00071322-B	Bracket, Mounting Saddle, MS Bracket, Mounting Saddle, SST
5	2	05052213	Strap Assembly, 3" Nylon 34" Long
6	6	05020898 05020891	Nut, $\frac{3}{8}$ -16, GC, Top Lock, C&W Nut, $\frac{3}{8}$ -16, Nylon Lock, SST
7	8	05021307 05021390	Washer, $\frac{3}{8}$, Flat, Zinc Washer, $\frac{3}{8}$, Flat, SST
8	1	00056108	Mounting Bar, 3 Nozzle
9	2	05010644 05016049	Bolt, $\frac{3}{8}$ -16 x 1 $\frac{1}{4}$, G8, HHCS, Zinc Bolt, $\frac{3}{8}$ -16 x 1 $\frac{1}{4}$, HHCS, SST
10	12	05021311 05021406	Washer, $\frac{5}{8}$, Flat, Zinc Washer, $\frac{5}{8}$, Flat, SST
11	6	05020837 05020903	Nut, $\frac{5}{8}$ -11, GC, Top Lock, C&W Nut, $\frac{5}{8}$ -11, Nylon Lock, SST
12	6	05010737 05016248	Bolt, $\frac{5}{8}$ -11 x 1 $\frac{1}{2}$, G8, HHCS, Zinc Bolt, $\frac{5}{8}$ -11 x 1 $\frac{1}{2}$, HHCS, SST

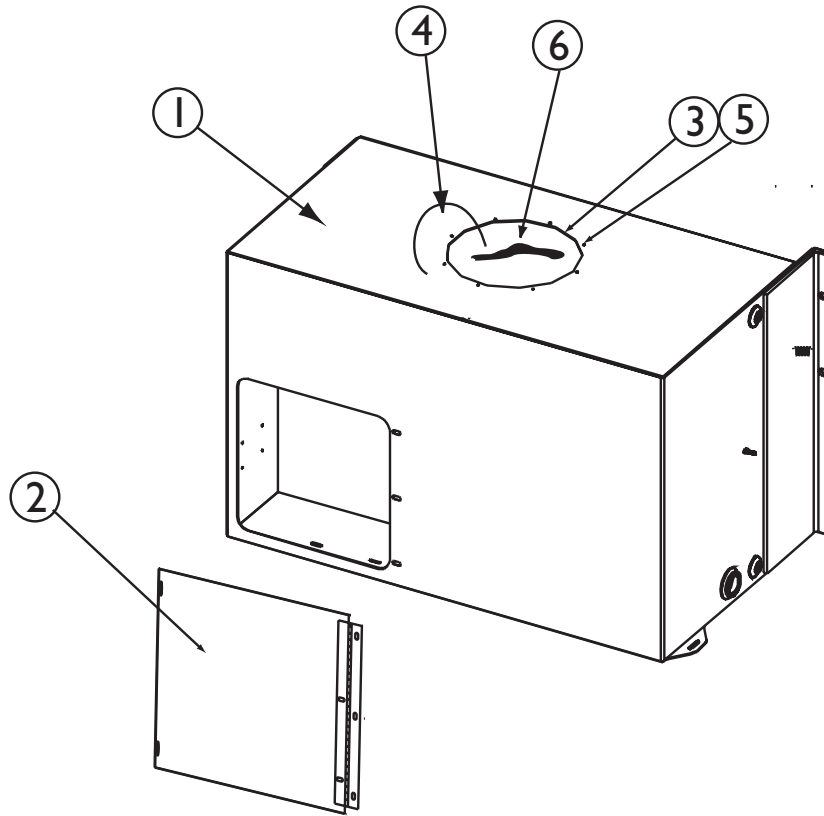
TRUCK MOUNTING KIT, 240 GALLON



00031831 TANK KIT, 240 GALLON, CAB/CHASSIS

Item	Qty	Part Number	Description
1	1	00071396-A 00071396-A	Saddle Weldment, 120 Gallon, MS Saddle Weldment, 120 Gallon, SST
2	2	00071322-A 00071322-B	Bracket, Mounting, Saddle, 120 Gallon, MS Bracket, Mounting, Saddle, 120 Gallon, SST
3	4	05052237	Strap Assembly, 3" Nylon, 50.5" Long
4	6	05010737 05016248	Bolt, $\frac{5}{8}$ -11 x 1 $\frac{1}{2}$, G8, HHCS, Zinc Bolt, $\frac{5}{8}$ -11 x 1 $\frac{1}{2}$, HHCS, SST
5	12	05021311 05021406	Washer, $\frac{5}{8}$, Flat, Zinc Washer, $\frac{5}{8}$, Flat, SST
6	6	05020837 05020903	Nut, $\frac{5}{8}$ -11, Top Lock, C&W Nut, $\frac{5}{8}$ -11, Nylon Lock, SST
7	2	05051791	Tank, 120 Gallon
8	1	00056108	Mounting Bar, 3 Nozzle
9	2	05010644 05016049	Bolt, $\frac{3}{8}$ -16 x 1 $\frac{1}{4}$, G8, HHCS, Zinc Bolt, $\frac{3}{8}$ -16 x 1 $\frac{1}{4}$, HHCS, SST
10	12	05021307 05021390	Washer, $\frac{3}{8}$, Flat, Zinc Washer, $\frac{3}{8}$, Flat, SST
11	10	05020898 05020891	Nut, $\frac{3}{8}$ -16, Top Lock, C&W Nut, $\frac{3}{8}$ -16, Nylon Lock, SST
12	2	05037337	Fitting, Barb, 1 $\frac{1}{4}$ x 1 $\frac{1}{4}$, MNPT, 90°
13	2	05037283	Clamp, Hose, 1 $\frac{1}{2}$
14	14 FT	05039888	Hose, 1 $\frac{1}{4}$ ID, Clear

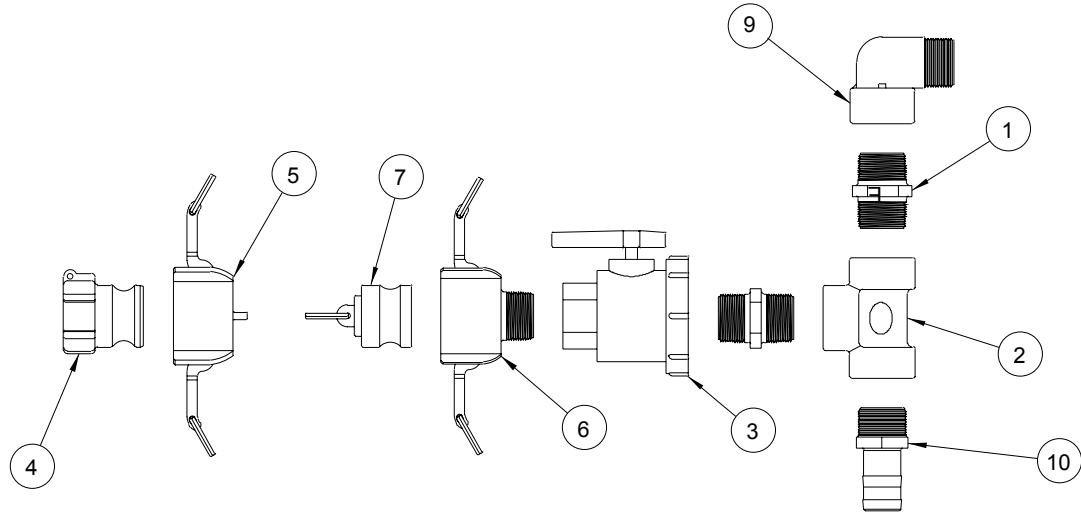
TRUCK MOUNTING KIT, 90 GALLON



00047956 TANK KIT, 90 GALLON

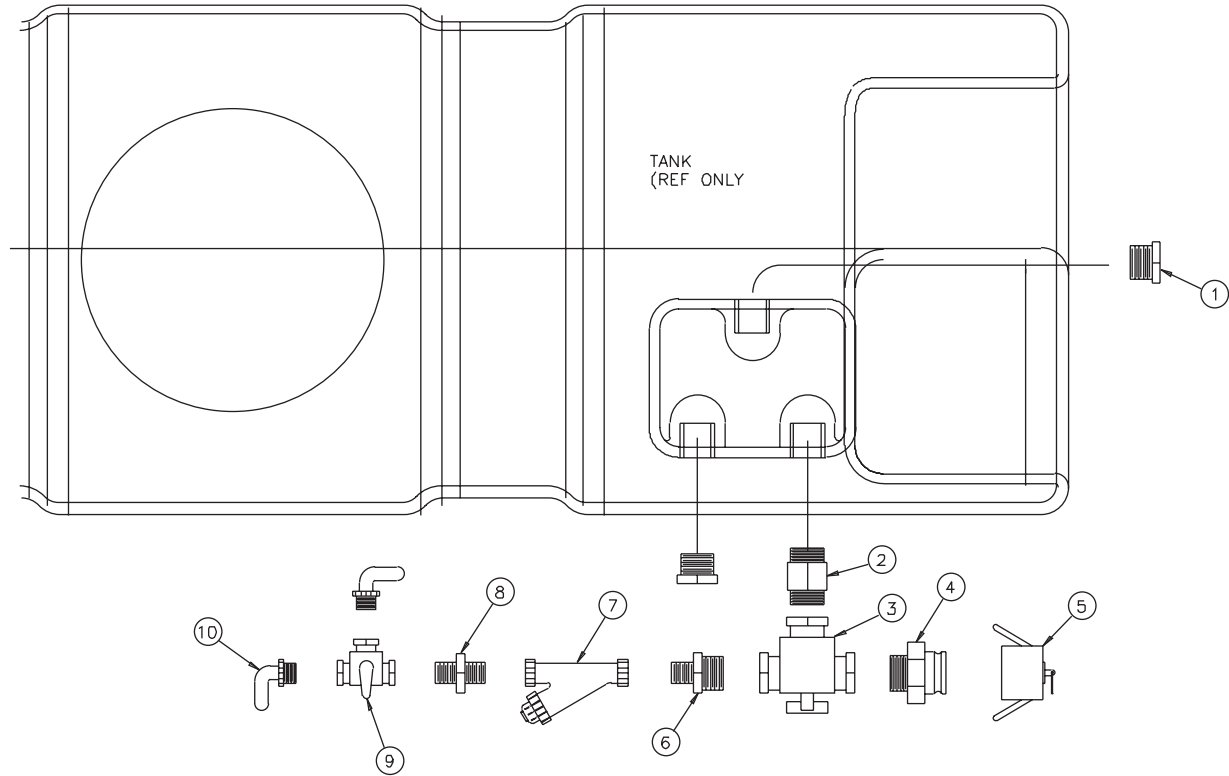
Item	Qty	Part Number	Description
1	1	00048576	Tank Weldment, 90 Gallon
2	1	00056117	Door Weldment
3	1	05050652	Fill Well, 10" DIA, Threaded
4	1	05050704	Lid Retainer
5	9	05050703	Rivet, Pop, 3/16" DIA
6	1	05050654	Cover
7	5 FT	05050702	Trim, 3/8" Bulb, Black, Fine Peble

OPTIONAL: BULK FILL KIT



05050320 BULK FILL KIT			
Item	Qty	Part Number	Description
1	2	05037371	Nipple, 1¼" Short, Poly
2	1	05037372	Tee, 1¼" FNPT, All Ports, Poly
3	1	05037373	Valve, 1¼" FNPT, Ball Union Type Poly
4	1	05037375	Coupler, cam, 1½" Male x 1¼" MNPT, Poly
5	1	05037377	Cap, Cam for 1½" Male Coupler, Poly
6	1	05037374	Coupler, Cam, 1½" Female x 1¼" MNPT, Poly
7	1	05037376	Plug, Cam for 1½" Female Coupler, Poly

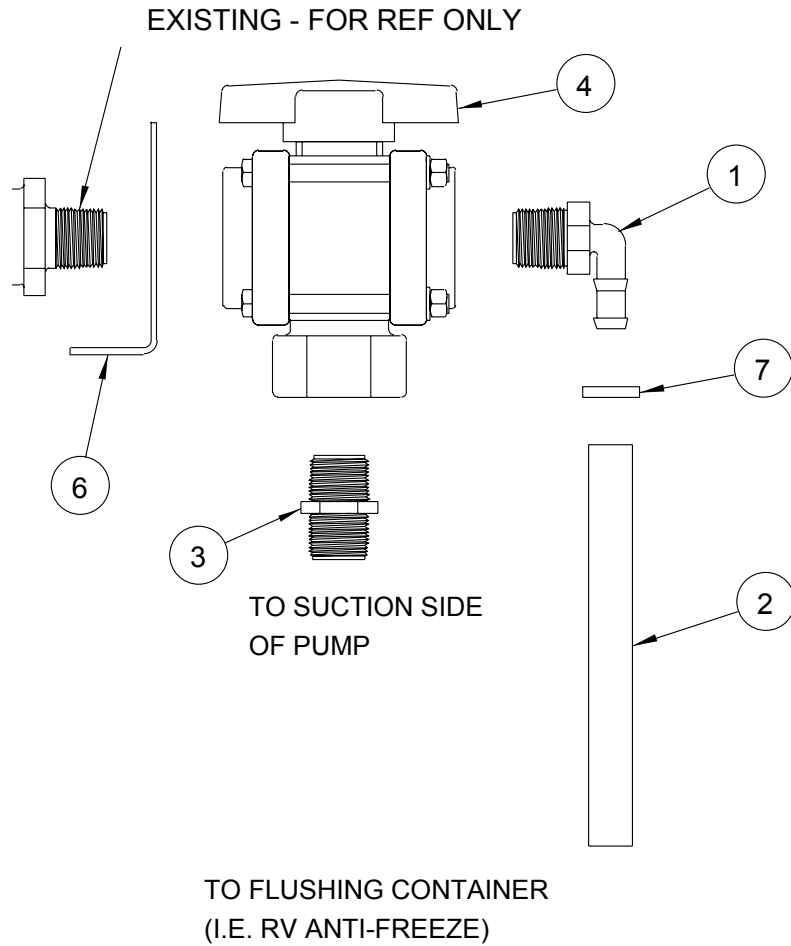
OPTIONAL: BULK FILL AND FLUSHER KIT



00046779 BULK FILL AND FLUSHER KIT

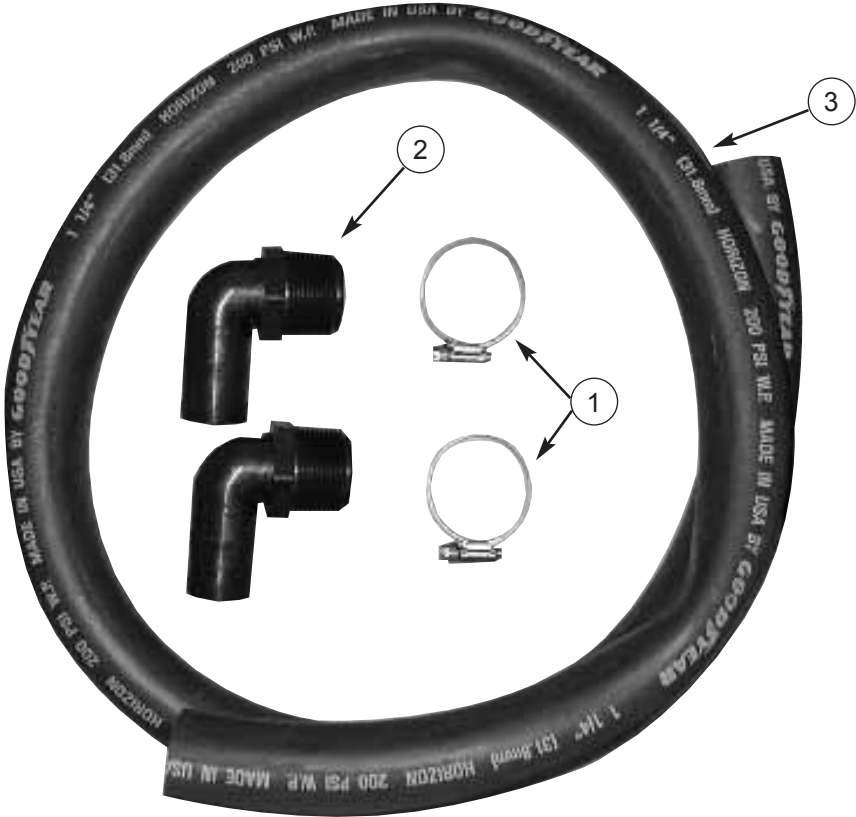
Item	Qty	Part Number	Description
1	2	05037310	Plug, 1½" NPT, Poly
2	1	05037897	Nipple, 1¼" NPT x 4" OAL, Poly
3	1	05037898	Valve, 3-Way Ball Type, 1¼" NPT
4	1	05037899	Coupler, Cam, 1¼" MNPT x 1½" Male, Poly
5	1	05037377	Cap, Cam, 1½" for Male Coupler, Poly
6	1	05037311	Nipple, Reducing, 1¼" MNPT x ¾" MNPT, Poly
7	1	05037309	Strainer, Y-Type, ¾" FNPT
8	1	05037355	Nipple, ¾" NPT, Short, Poly
9	1	05037906	Valve, 3-Way Ball Type, ¾" FNPT, Side Load
10	2	05037303	Hose Barb, 90°, ¾" MNPT x ½" Male, Poly
11	2	05016034	Bolt, ⅝ - 16 x 1, HHCS, SST <i>(Not Shown)</i>
12	2	05021390	Washer, ⅝, Flat, SST <i>(Not Shown)</i>
13	2	05020891	Nut, ⅝ - 16, Nylon Lock, 316 SST <i>(Not Shown)</i>
14	2	00068197	Bracket, Mounting, Upper, Plumbing Tank, 140 Gallon <i>(Not Shown)</i>
15	2	00068198	Bracket, Mounting, Lower, Plumbing Tank, 140 Gallon <i>(Not Shown)</i>
16	4	05016113	Bolt, ¼ - 20 x ¾, HHCS, SST <i>(Not Shown)</i>
17	4	05020906	Nut, ¼ - 20, Nylon Lock, SST <i>(Not Shown)</i>
18	8	05021403	Washer, ¼, Flat, SST <i>(Not Shown)</i>

OPTIONAL: FLUSHER KIT



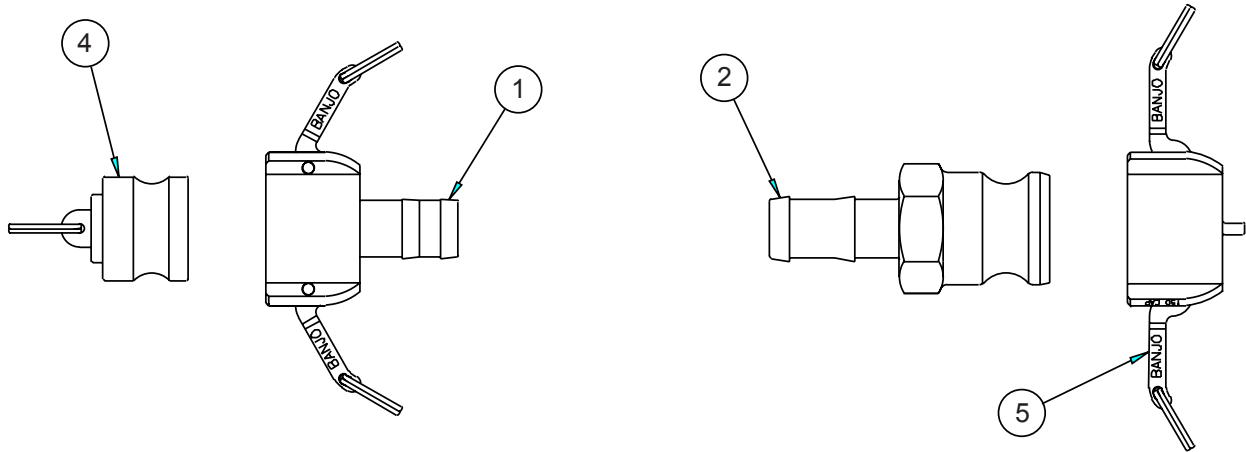
05050319 FLUSHER KIT			
Item	Qty	Part Number	Description
1	1	05037303	Hose Barb, 1/2" x 3/4" MNPT, Poly
2	3 FT	05037307	Hose, 1/2" Black, EPDM, 150 PSI
3	1	05037355	Nipple, 3/4" NPT, Short, Poly
4	1	05037363	Valve, 3-Way Ball Type, 3/4" FNPT
5	1	05037300	Clamp, Hose, 1 1/4", SST <i>(Not Shown)</i>
6	1	00050989	Bracket, Mounting, Valve, 2" Ball
7	1	05037281	Clamp, Hose, 3/4", SST

OPTIONAL: TANK CROSS OVER KIT, V-BOX, RDS



05050311 TANK CROSS OVER KIT			
Item	Qty	Part Number	Description
1	2	05037283	Clamp, Hose, 1½" SST
2	2	05037337	Hose Barb, 90°, 1¼" MNPT, Poly
3	5 FT 8 FT	05037338	Hose, 1¼" Black, EPDM, 150 PSI, V-Box Hose, 1¼" Black, EPDM, 150 PSI, RDS

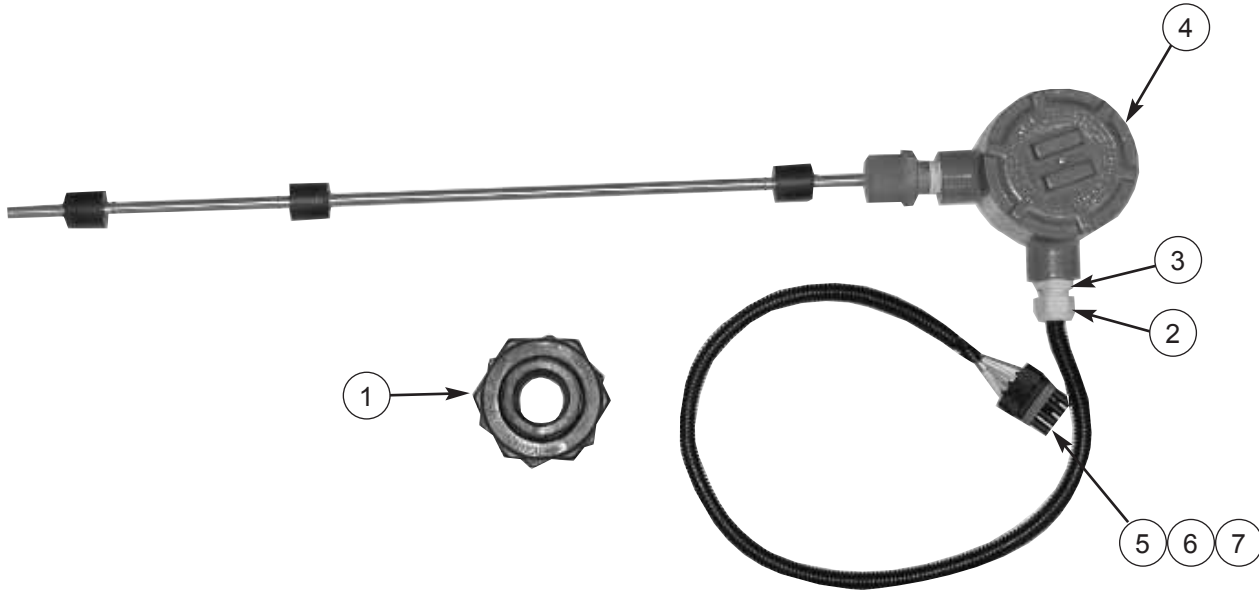
OPTIONAL: QUICK DISCONNECT KIT



00020043 QUICK DISCONNECT KIT

Item	Qty	Part Number	Description
1	1	05037637	Coupler, Cam, 3/4" Female x 1/2" Hose, Poly
2	1	05037900	Coupler, Cam, 3/4" Male x 1/2" Hose, Poly
3	2	05037281	Clamp, Hose, 3/4" SST
4	1	05038313	Plug
5	1	05038312	Cap

OPTIONAL: MULTI-LEVEL TANK INDICATOR



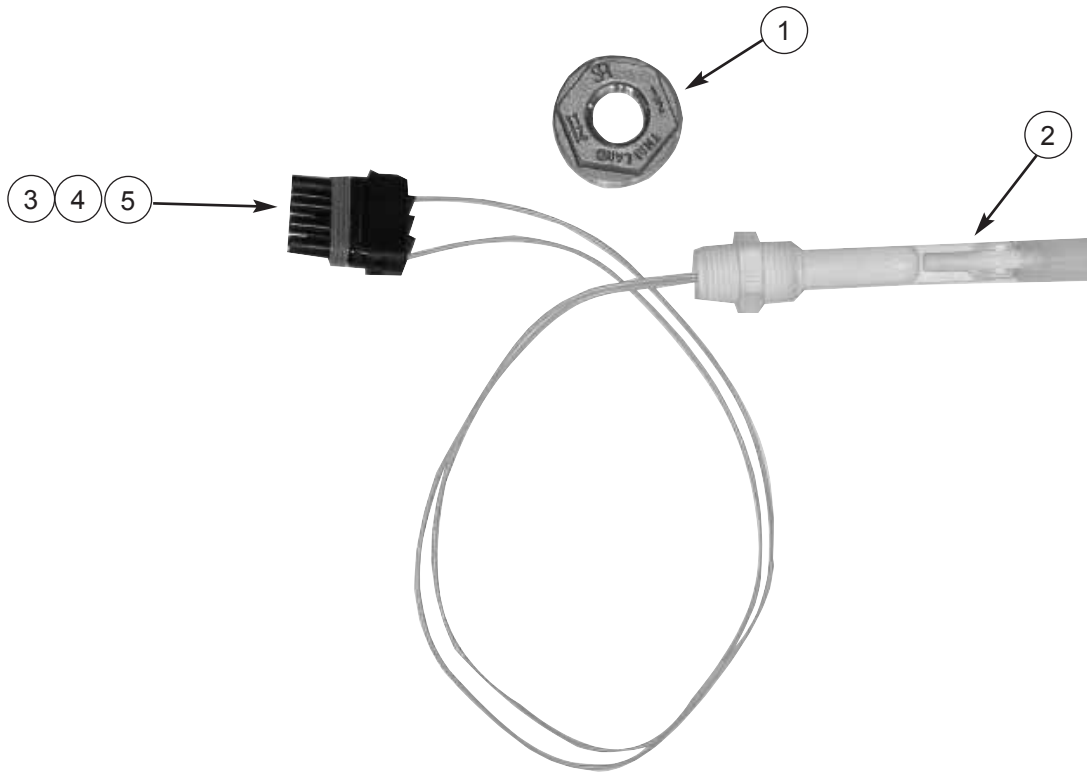
05050322 SENSOR KIT, TANK, MULTI-LEVEL

Item	Qty	Part Number	Description
*1	1	05037378	Fitting, Bulkhead, 1" NPT, Poly
2	2	05041147	Fitting, 1/2" Compression, Plastic
3	1	05041149	Nut, 1/2" w/Seal for 1/2" Fitting
**4	1	05041180	Sensor, Tank, 3 Level, 22" Oval
5	1	05041384	Connector, 4 Terminal, Shroud
6	4	05041355	Terminal, Female, F/16-14 Gauge wire
7	4	05041386	Cavity Seal, F/18-20 Gauge

***NOTE:** Fitting bulkhead, 1/2" NPT, Poly (05038211), used with #05041455 sensor.

****NOTE:** Sensor Tank, 3 Level, 21" OAL

OPTIONAL: LOW-LEVEL SENSOR

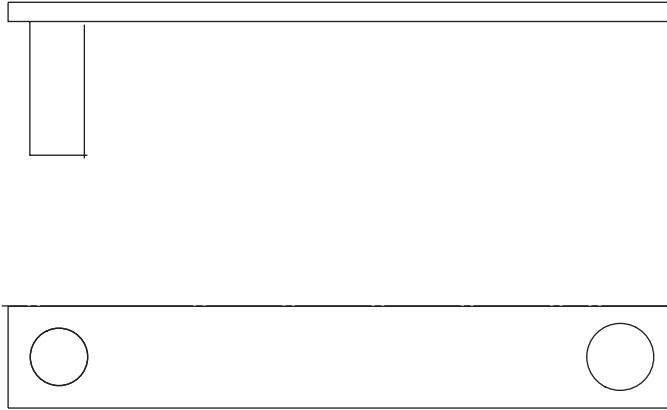


LOW LEVEL SENSOR

Item	Qty	Part Number	Description
1	1	05037339	Bushing, Reducer, Brass, 1/4" MNPT x 1/2" FNPT
2	1	05041150	Switch, Low Level Sensor
3	1	05041384	Connector, Weather Pack, 4 Terminal, Shroud Half
4	2	05041355	Terminal, Female, F/16-14 gauge, wire
5	2	05041386	Seal, Terminal Cavity

OPTIONAL

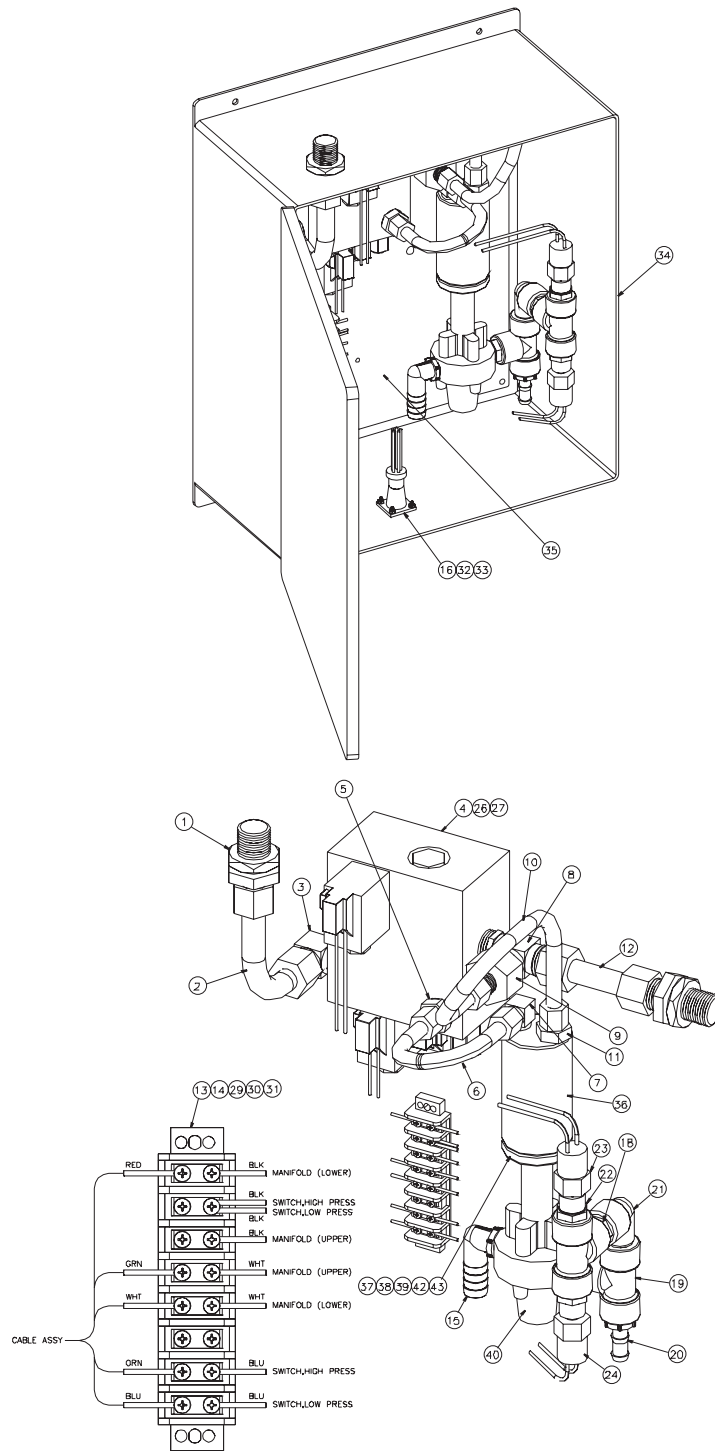
00011947 TAILGATE PROP WELDMENT (2 REQUIRED PER UNIT)



05037656 AUTO LIQUID SHUT-OFF PRESSURE SWITCH



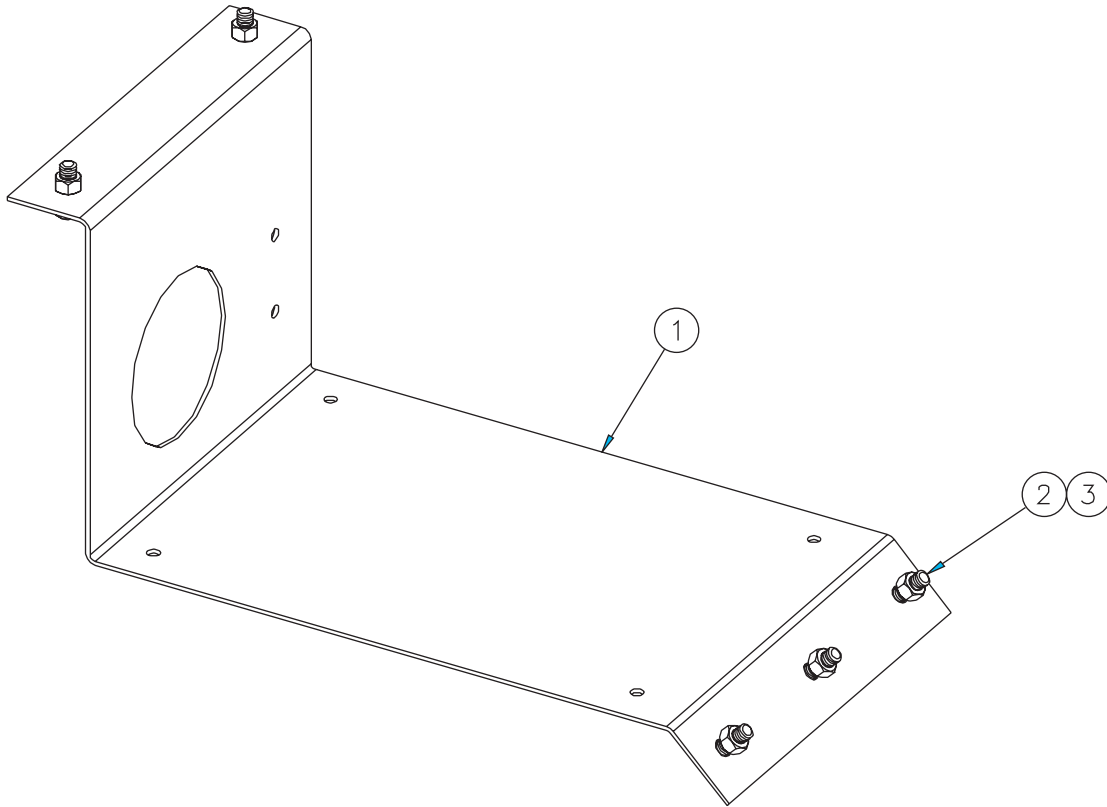
OPTIONAL: MOUNTING KIT, ENCLOSURE BOX



00017725 MOUNTING KIT, ENCLOSURE BOX, MV/MSV

Item	Qty	Part Number	Description
1	1	00017722-A 00017722-B	Mounting Plate Weldment, Enclosure, MS Mounting Plate Weldment, Enclosure, SST
2	4	05010643 05016034	Bolt, 3/8-16 x 1, G8, HHCS, Zinc Bolt, 3/8-16 x 1, HHCS, SST
3	4	05020898 05020891	Nut, 3/8-16, GC, Top Lock, C&W Nut, 3/8-16, Nylon Lock, SST

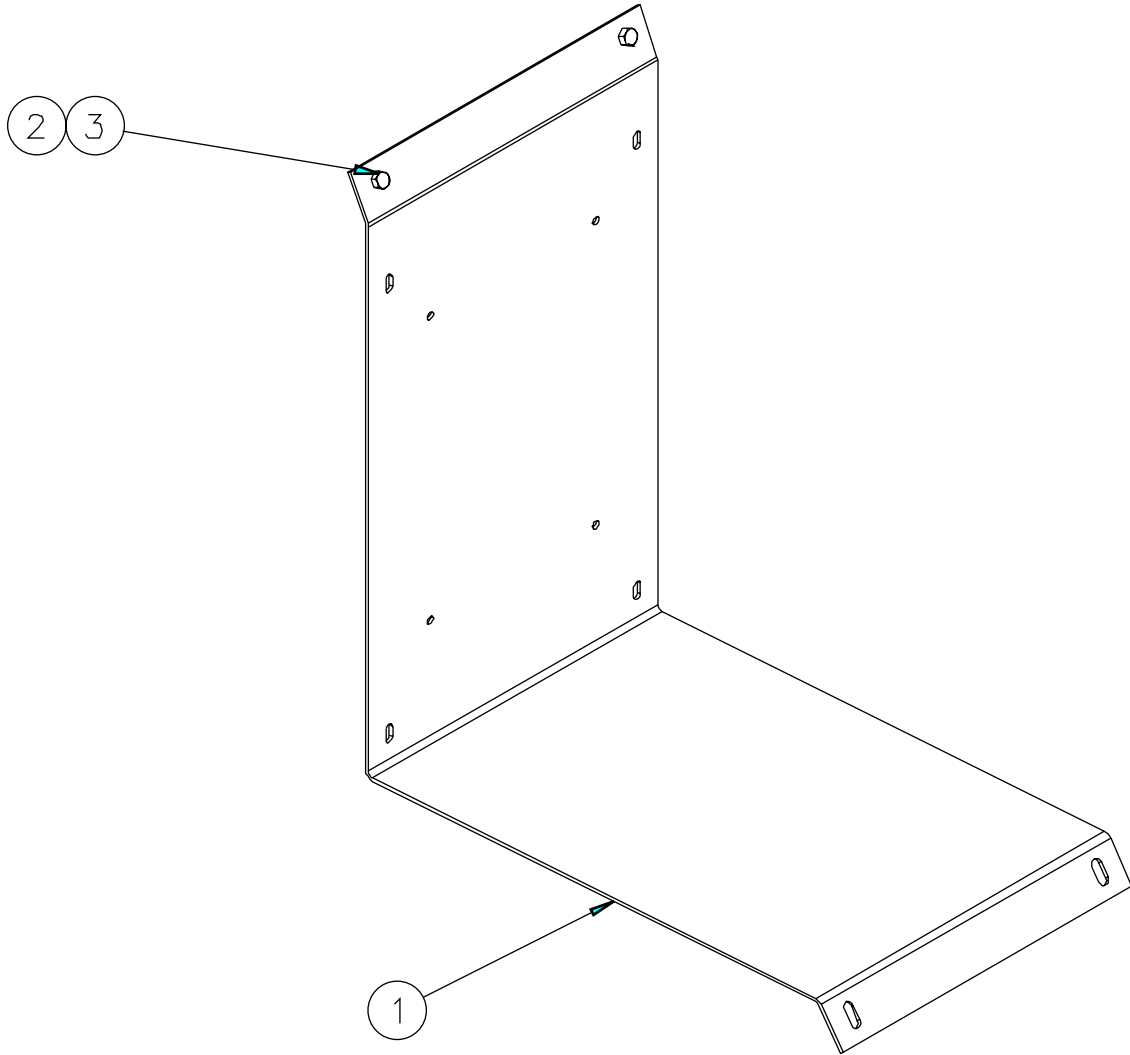
**OPTIONAL:
MOUNTING KIT, SMALL ENCLOSURE, V-BOX (ANGLE MOUNT)**



00016129 MOUNTING KIT, SMALL ENCLOSURE, V-BOX (ANGLE MOUNT)

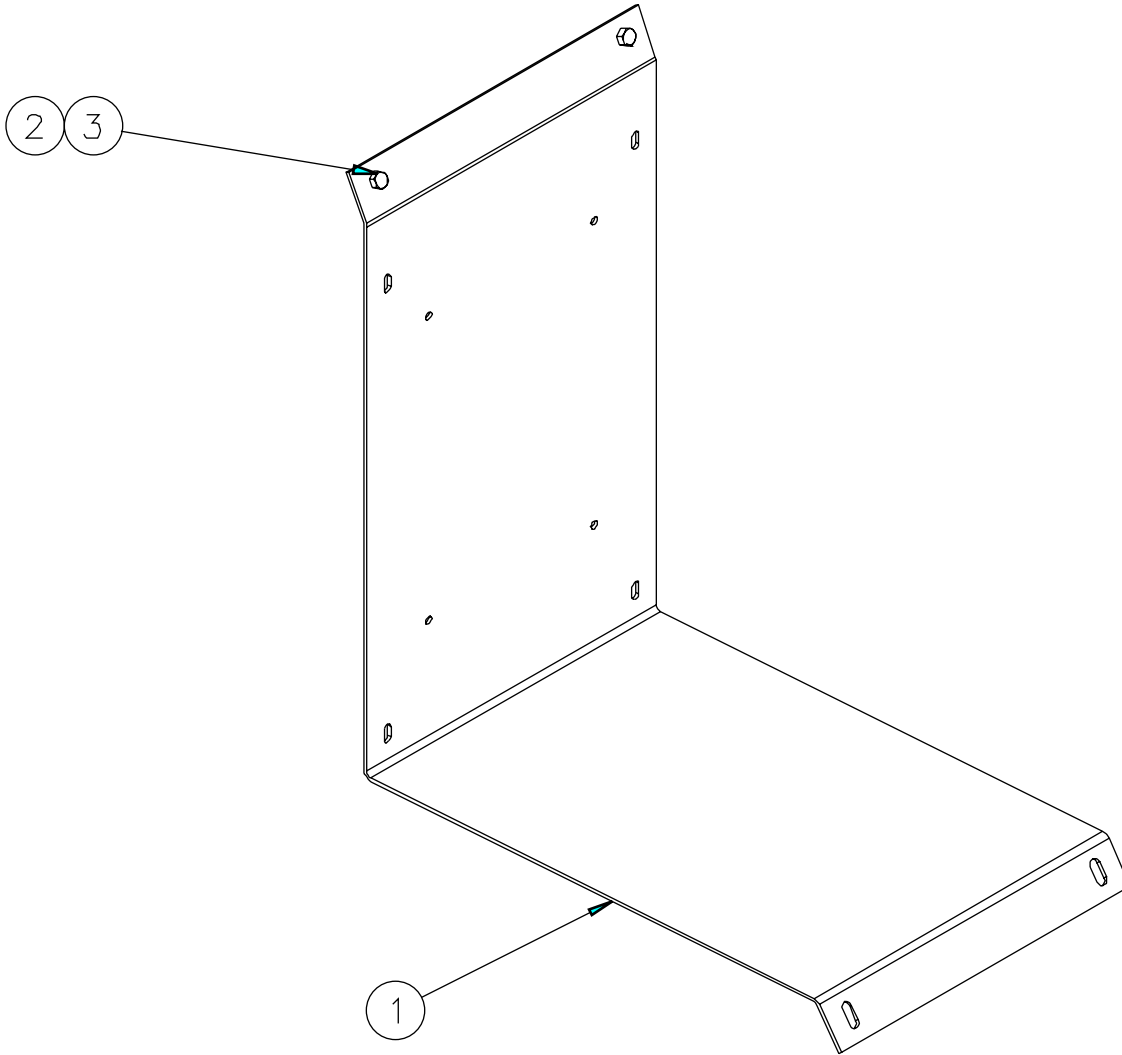
Item	Qty	Part Number	Description
1	1	00035948-A 00035948-B	Pump Enclosure Mount, MS Pump Enclosure Mount, SST
2	5	05010643 05016034	Bolt, 3/8 - 16 x 1, G8, HHCS, Zinc Bolt, 3/8 - 16 x 1, HHCS, SST
3	5	05020898 05020891	Nut, 3/8 - 16, GC, Top Lock, C&W Nut, 3/8 - 16, Nylon Lock, 316 SST

OPTIONAL: MOUNTING KIT ENCLOSURE (RDS)



00012990 MOUNTING KIT ENCLOSURE (RDS)			
Item	Qty	Part Number	Description
1	1	00059394-A 00059394-B	Bracket, Control Box, MS Bracket, Control Box, SST
2	2	05010643 05016034	Bolt, $\frac{3}{8}$ - 16 x 1, HHCS, G8, Zinc (Not Shown) Bolt, $\frac{3}{8}$ - 16 x 1, HHCS, SST
3	2	05020898 05020891	Nut, $\frac{3}{8}$ - 16, GC, Top Lock, C&W (Not Shown) Nut, $\frac{3}{8}$ - 16, Nylon Lock, 316 SST

OPTIONAL: MOUNTING KIT ENCLOSURE (DUZ-MOR)



00016130 MOUNTING KIT ENCLOSURE (DUZMOR)

Item	Qty	Part Number	Description
1	1	00065923-A 00065923-B	Bracket, Control Box, MS Bracket, Control Box, SST
2	5	05010643 05016034	Bolt, 3/8-16 x 1, HHCS, G8, Zinc Bolt, 3/8-16 x 1, HHCS, SST
3	5	05020898 05020891	Nut, 3/8-16, GC, Top Lock, C&W Nut, 3/8-16, Nylon Lock, SST

OPTIONAL: MOUNTING KIT, LARGE ENCLOSURE

00073165 MOUNTING KIT, LARGE ENCLOSURE

Item	Qty	Part Number	Description
1	1	00073158-A 00073158-B	BRACKET, MOUNTING, LARGE ENCLOSURE, MS BRACKET, MOUNTING, LARGE ENCLOSURE, SST
2	4	05010643 05016034	BOLT, .375-16 X 1, G8, HHCS, ZINC BOLT, .375-16 X 1, HHCS, SST
3	4	05020898 05020891	NUT, .375-16, GC, TOP LOCK, C&W NUT, .375-16, NYLON LOCK, 316 SST
4	8	05021307 05021390	WASHER, .375, FLAT, ZINC WASHER, .375, FLAT, SST
5	1	00061895-A 00061895-B	BRACKET, ADJ, UNIVERSAL, MS BRACKET, ADJ, UNIVERSAL, SST

HOW TO ORDER PARTS

To order or inquire about replacement parts, please contact the **distributor** or **store** that the product was purchased through. To speed the information flow, please have the following information ready:

- Model Number
- Serial Number
- Part Number and/or description as per the parts manual
- Quantity needed

For further information about **Monroe Truck Equipment** replacement parts, please call 877-834-9049 and ask for **Snow & Ice Parts Sales**.

RETURN POLICY

Merchandise returned to **Monroe Truck Equipment** must have a Returned Goods Authorization (RGA) form filled out completely and signed by authorized personnel. To get your RGA form, call 800-880-0109. For whole goods, ask for **Snow & Ice Sales**. For replacement parts, ask for **Snow & Ice Parts Sales**. All returned items are subject to a 15% restocking fee and must be sent freight prepaid!

MONROE TRUCK EQUIPMENT, INC. WARRANTY SNOW & ICE CONTROL PRODUCTS

Monroe Truck Equipment, Inc. warrants to the original purchaser, that if any part of the product proves to be defective in workmanship or material within **ONE YEAR** of the original installation, and is returned to us within 30 days of the discovered defect, we will (at our option) repair or replace the defective part. This warranty does not apply to damage resulting from misuse, neglect, accident, improper installation, normal wear items or lack of maintenance. This warranty is exclusive and supersedes all other warranties, whether expressed or implied. **Monroe Truck Equipment, Inc.** neither assumes, nor authorizes anyone to assume for it, any other obligation or liability in connection with this warranty and will not be liable for consequential damages.

All engines, pumps, motors, cylinders and valves are warranted by their manufacturer and not by **Monroe Truck Equipment, Inc.**. The manufacturer's warranty will apply to these parts. Electrical and hydraulic components are not to be disassembled without the express written permission of Monroe Truck Equipment. Use of replacement parts other than original equipment voids this warranty.

All defective parts returned must be accompanied by the model number, serial number, date installed, date of defect, description of defect, and the name of the distributor from whom it was purchased. All warranty claims must have prior written approval from **Monroe Truck Equipment, Inc.**

Please return the warranty registration card that accompanies this manual to confirm receipt of this parts catalog and acknowledge the information contained within. Failure to return the attached card may result in a voided warranty.



1051 West 7th Street
Monroe, WI 53566
608-328-8127 ~ Fax: 608-328-4278

Warranty Policy

Uninstalled Parts and Equipment Provided by Monroe Truck Equipment

Monroe Truck Equipment will provide the following limited warranty for a period of one year to the original purchaser of all uninstalled goods provided by Monroe Truck Equipment:

LIMITED WARRANTY: All goods provided by Monroe Truck Equipment (MTE) will be free from defects in material and workmanship for a period of one year from the date of purchase by the original purchaser. This limited warranty shall be the sole and exclusive remedy for any such product found to be defective. This limited warranty supercedes all previous warranties and is exclusive and in lieu of all other warranties, whether expressed or implied.

This limited warranty applies only to parts or accessories manufactured by MTE and/or provided by same. Except with respect to title, this limited warranty does not pertain to parts or accessories not manufactured and/or provided by MTE, regardless of whether such parts or accessories were selected and/or recommended by MTE. MTE will, as a service to the buyer, pass on any warranties received from the original manufacturer of MTE provided parts and/or accessories.

MTE will not under any circumstances be liable for any incidental or consequential damages whether in tort, contract, or otherwise, for any bodily injury, death, property damage, loss of use, or loss of income resulting from or in any way arising out of any goods provided by MTE, or their sale, use, or manufacture.

Any warranty claim deemed to be arising from the result of misuse, abuse, neglect, accident, improper installation, lack of maintenance, act of war (whether declared or otherwise), or act of God will be denied. Any repair or modification by the buyer or any third party, without the prior written consent of MTE, will void any possible warranty compensation. Any damage deemed to be the result of abnormal operation will not be compensated by this warranty.

Normal or special maintenance items such as fuels, fluids, tires, belts, hoses, filters, air cleaners, light bulbs, and any other items subject to normal wear and tear that are supplied in connection with goods provided by MTE are not allowed under this warranty.

All engines, pumps, cylinders, valves, and motors are warranted by their manufacturer and not by Monroe Truck Equipment. The manufacturer's warranty will apply to these parts. Electrical and hydraulic components are not to be disassembled without the express written consent of MTE. Any disassembly of MTE provided components without prior authorization will void the applicable warranty.

Monroe Truck Equipment shall be the sole and final determining authority as it applies to the administration of this warranty policy. Purchaser acknowledges receipt of Monroe Truck Equipment Warranty Policy and agrees to be bound by same.



GLOBAL SOLUTIONS
ARMORED VEHICLES ~ SPORT TRUCK CONVERSIONS
MUNICIPAL SNOW & ICE CONTROL ~ FIRE APPARATUS
PICKUP TRUCK ACCESSORIES ~ TRUCK EQUIPMENT/MODIFICATIONS





1051 West 7th Street
Monroe, WI 53566
608-328-8127 ~ Fax: 608-328-4278

Any and all warranty claims must be forwarded to MTE within 10 days of defect discovery. A copy of the original Monroe Truck Equipment invoice as well as the manufacturer's model number, serial number, and date of installation must accompany all correspondence regarding said claims. MTE will, at their option, choose whether to repair or replace the defective part unless otherwise specified by the original manufacturer of said part.

Procedures for Warranty Claims Notification

For submission of any warranty claim please contact Monroe Truck Equipment – Warranty Department at 800-356-8134

The following documentation will be needed when you call for initial warranty authorization:

1. A copy of the original MTE invoice.
2. Make, Model, and VIN or Serial Number of the equipment involved.
3. Part number and serial number of the part in question.
4. A complete description of the problem.

The following must accompany any claim submitted to Monroe Truck Equipment:

1. Documented photographs of any physical damage.
2. Inspection notes by MTE personnel or MTE authorized 3rd party.
3. Authorization number issued by Monroe Truck Equipment – Warranty Department.

Defective parts must be returned to Monroe Truck Equipment (freight prepaid) within 30 days of issuance of Authorization Number.

Monroe Truck Equipment reserves the right to void any warranty for failure to comply with Monroe Truck Equipment Warranty Policy.

This policy is effective October 11, 2012

