



# MSPV PICKUP V-BOX SPREADER

## Service and Parts Manual



### **Monroe Snow & Ice Control**

*A Division of Monroe Truck Equipment*

1051 W. 7th Street

Monroe, WI 53566

Phone: 608-328-8127

Fax: 608-329-8488

Website: [www.monroetruck.com](http://www.monroetruck.com)

Email: [snowandicecontrol@monroetruck.com](mailto:snowandicecontrol@monroetruck.com)

05050514-10  
12/9/2013



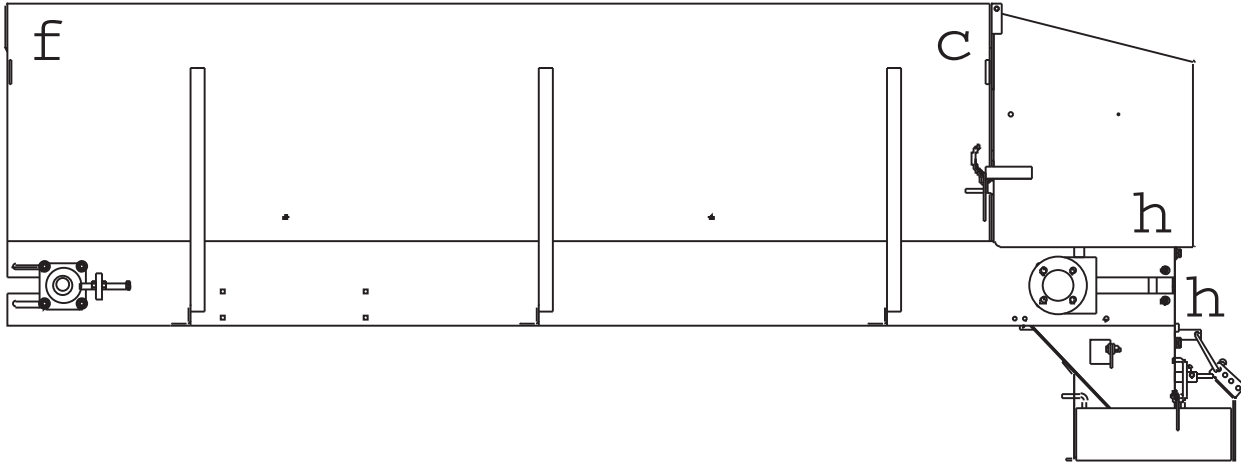


# TABLE OF CONTENTS

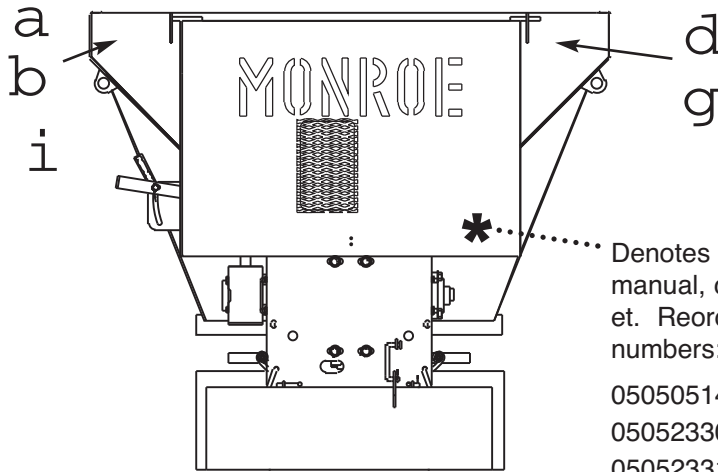
Safety Instructions . . . . .	2-6
Maintenance Instructions . . . . .	7
Installation Instructions . . . . .	8-14
Operating Instructions . . . . .	15
General Information . . . . .	16
Lubrication Chart . . . . .	17
Hydraulic Schematic . . . . .	18-19
Replacement Parts . . . . .	20-61
How to Order Parts . . . . .	62
Return Policy . . . . .	62
Warranty Registration . . . . .	63-64

# SAFETY DECAL LOCATIONS--ENGINE DRIVEN UNIT

## DRIVER SIDE



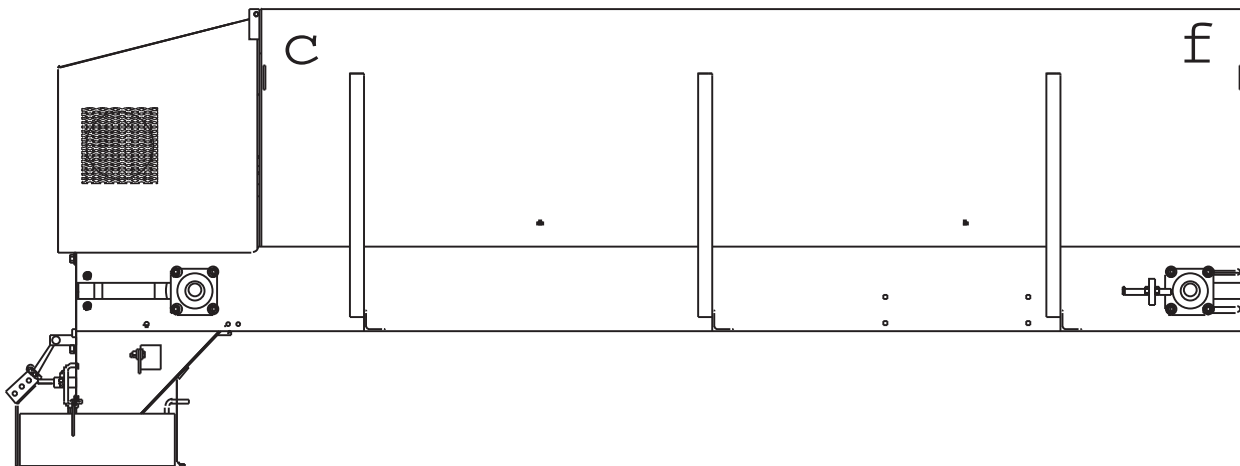
## REAR VIEW



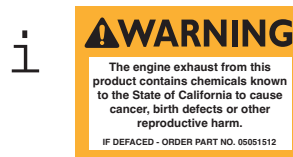
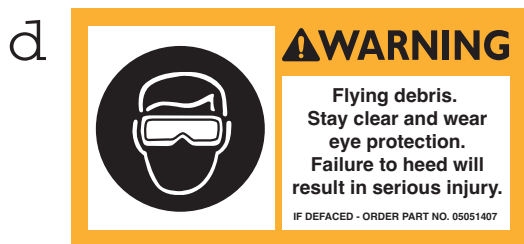
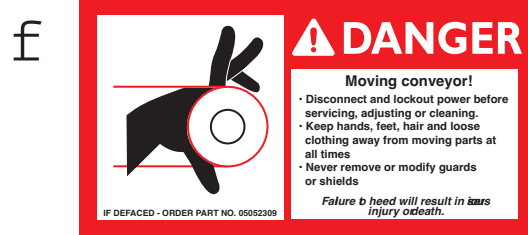
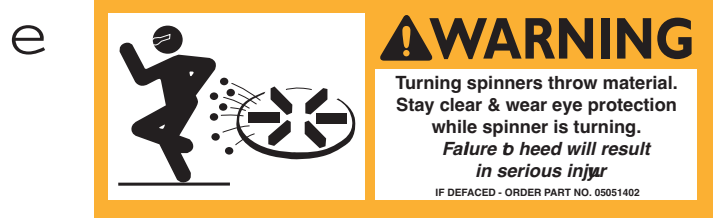
Denotes the location of the parts manual, canister and canister bracket. Reorder with the following part numbers:

- |          |                  |
|----------|------------------|
| 05050514 | Parts Manual     |
| 05052330 | Canister         |
| 05052331 | Canister Bracket |

## PASSENGER SIDE



# SAFETY DECALS--ENGINE DRIVEN UNIT



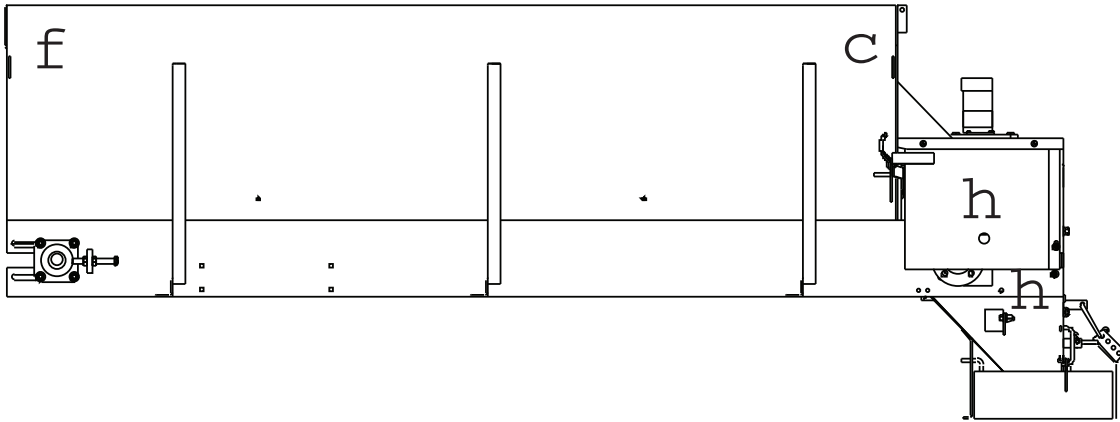
*Should you ever need replacement decals or parts/maintenance manuals, simply contact MTE and we will supply you with them FREE OF CHARGE. See page 24-25 for safety decal replacement part numbers.*

## SAFETY DECAL SIGNAL WORDS

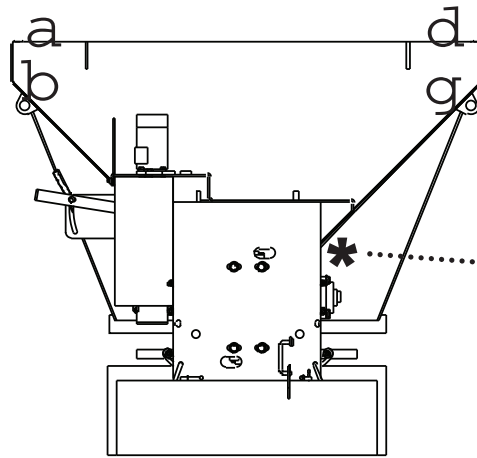
- DANGER** (Red) indicates an imminently hazardous situation which, if not avoided, will result in death or serious injury.
- WARNING** (Orange) indicates a potentially hazardous situation which, if not avoided, could result in death or serious injury.
- CAUTION** (Yellow) indicates a potentially hazardous situation which, if not avoided, may result in minor or moderate injury.
- CAUTION** (Yellow) used without the safety risk alert symbol indicates a potentially hazardous situation which, if not avoided, may result in property damage.

# SAFETY DECAL LOCATIONS--HYDRAULIC DRIVEN UNIT

## DRIVER SIDE



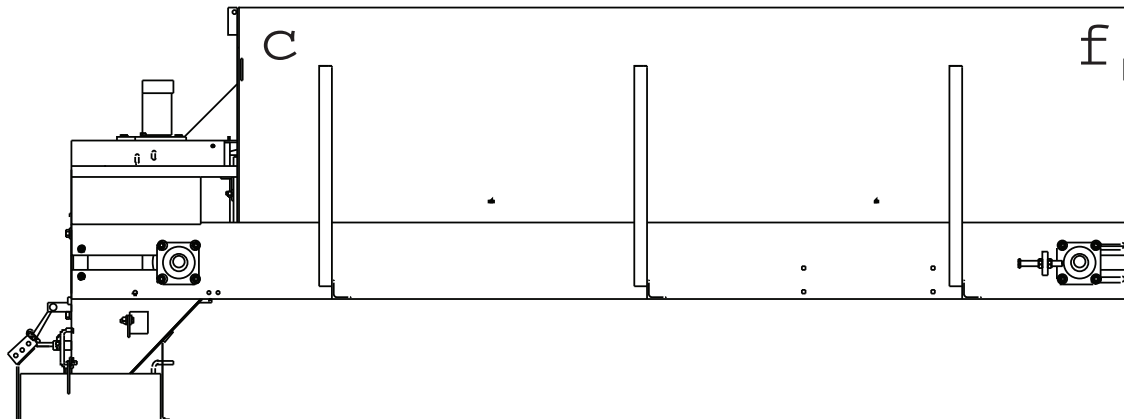
## REAR VIEW



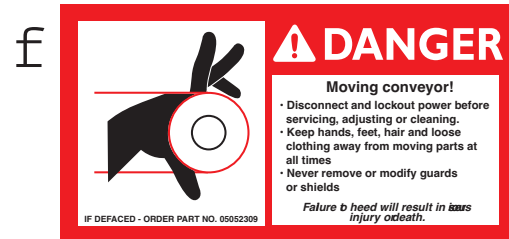
Denotes the location of the parts manual, canister and canister bracket. Reorder with the following part numbers:

- 05050514 Parts Manual
- 05052330 Canister
- 05052331 Canister Bracket

## PASSENGER SIDE



# SAFETY DECALS--HYDRAULIC DRIVEN UNIT



*Should you ever need replacement decals or parts/maintenance manuals, simply contact MTE and we will supply you with them FREE OF CHARGE. See page 22-23 for safety decal replacement part numbers.*

# SAFETY DECAL SIGNAL WORDS



DANGER (*Red*) indicates an imminently hazardous situation which, if not avoided, will result in death or serious injury.



WARNING (*Orange*) indicates a potentially hazardous situation which, if not avoided, could result in death or serious injury.



CAUTION (*Yellow*) indicates a potentially hazardous situation which, if not avoided, may result in minor or moderate injury.



CAUTION (*Yellow*) used without the safety risk alert symbol indicates a potentially hazardous situation which, if not avoided, may result in property damage.

## SAFETY INSTRUCTIONS

- Read all installation, safety and maintenance instructions completely before operating this equipment.
- Keep all personnel clear of moving parts while pickup v-box is being operated.
- Wear close fitting clothing and safety equipment appropriate to the job.
- Read and understand the following warning, danger and caution decals attached to this spreader. *(For locations of decals, see [page 2-5](#).)*
- Do not operate a spreader in need of maintenance! Repair immediately!
- While operating this equipment, use common sense, use caution, be alert and be safety-conscious.
- Top grates ***must*** be installed under top grate hold down gussets.
- Turn fuel shut off valve to off position when engine is shut off and/or when the equipment is not in use.



# MAINTENANCE INSTRUCTIONS



\* Location of grease fittings.

**NOTE: STOP ENGINE, REMOVE KEY AND SHUT OFF HYDRAULICS BEFORE SERVICING. NEVER CLEAN, LUBRICATE OR ADJUST WHILE RUNNING.**

- Grease idler bearings on idler shaft takeup assembly, outboard bearing on gearbox output shaft, and spinner bearings according to chart on [page 17](#).
- Grease input shaft bearing of gearbox every fifty hours of operation. (Reference [page 59](#) for gearbox parts) **CAUTION:** Over greasing may cause seal damage. The gearbox must be filled to oil level plug with SAE 90 gear-type lubricant. Keep breather plug clean.
- Drag chain slack on V-boxes should be checked periodically and taken up if distance between center line of rear sprocket and point where chain contacts lower flange on longmember is less than eight (8) inches.
- If the spreader is equipped with a gasoline engine, it should be maintained per engine manufacturer's instructions.
- V-belt tension must be maintained. **CAUTION:** Engine must NOT be running. The v-belt tension can be adjusted by loosening engine mounting bolts and sliding engine as required. **CAUTION:** Over tightening of belt may damage gearbox. Retighten engine mounting bolts after belt adjustment is completed.
- Roller chain tension must be maintained. **CAUTION:** Engine and hydraulics MUST be off! It is adjusted by loosening the spinner shaft mounting bracket and sliding the bracket. Make sure the spinner shaft is straight up and down before retightening. Oil the chain often, especially at the end of the season.
- When the box is not in use, it should be washed out. If the box is put in storage, all surfaces should be oiled and the paint touched-up as necessary after washing. NOTE: Do not paint over safety decals.

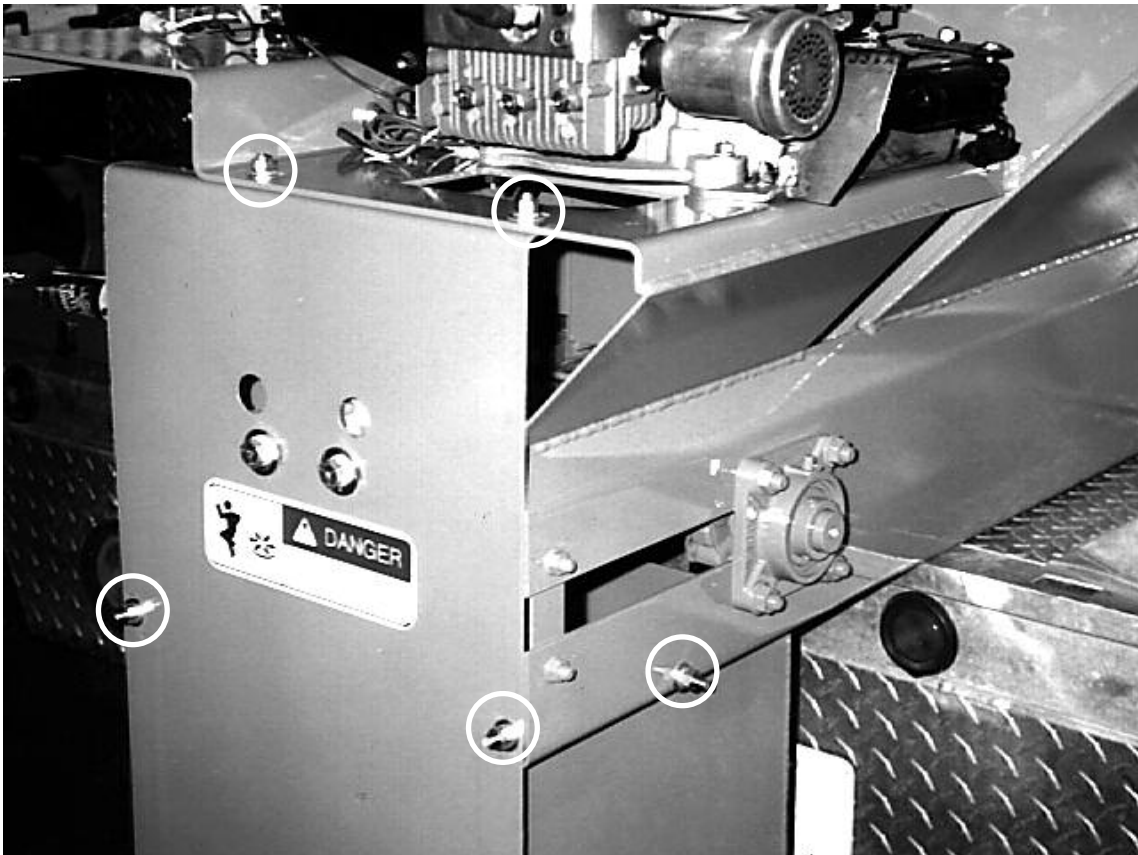
# INSTALLATION INSTRUCTIONS

## Installing Spinner Assembly to Spreader:

- Raise spreader to allow ground clearance for spinner assembly installation. Slide spinner assembly into the rear slots of the longmembers. Attach spinner to the longmembers using (2)  $\frac{3}{8}$ " x  $8\frac{1}{2}$ " L-bolts, (4)  $\frac{3}{8}$ " flat washers, (4)  $\frac{3}{8}$ " lock washers and (4)  $\frac{3}{8}$ " nuts. Bolt top portion of spinner back plate to the engine mounting plate using (2)  $\frac{3}{8}$ " x 1" bolts, (4)  $\frac{3}{8}$ " flat washers, (2)  $\frac{3}{8}$ " lock washers and (2)  $\frac{3}{8}$ " nuts. Tighten all (6) nuts at this time. *(All mounting hardware is located in bag inside spreader box.)*
- Install roller chain between gearbox sprocket and spinner sprocket. Align sprockets by loosening allen screw in gearbox sprocket, and adjusting vertically as needed. Adjust chain tightness by loosening (4) bolts of spinner shaft mount and sliding for desired chain tension. Retighten bolts and allen screw. *(Make sure spinner shaft is straight up and down before retightening bolts.)*
- For spinner attaching hardware, see [page 52](#).

# INSTALLATION INSTRUCTIONS

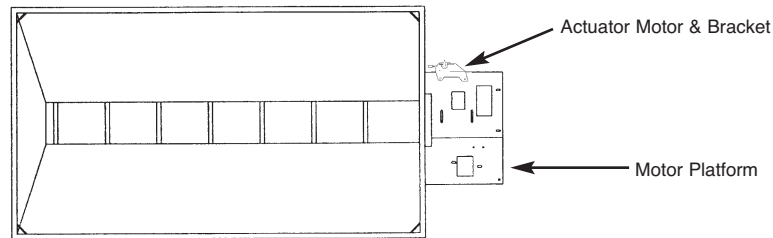
**Spinner to spreader fasten points:**



# INSTALLATION INSTRUCTIONS

## Installing Standard Electric Throttle Control: --ACTUATOR--

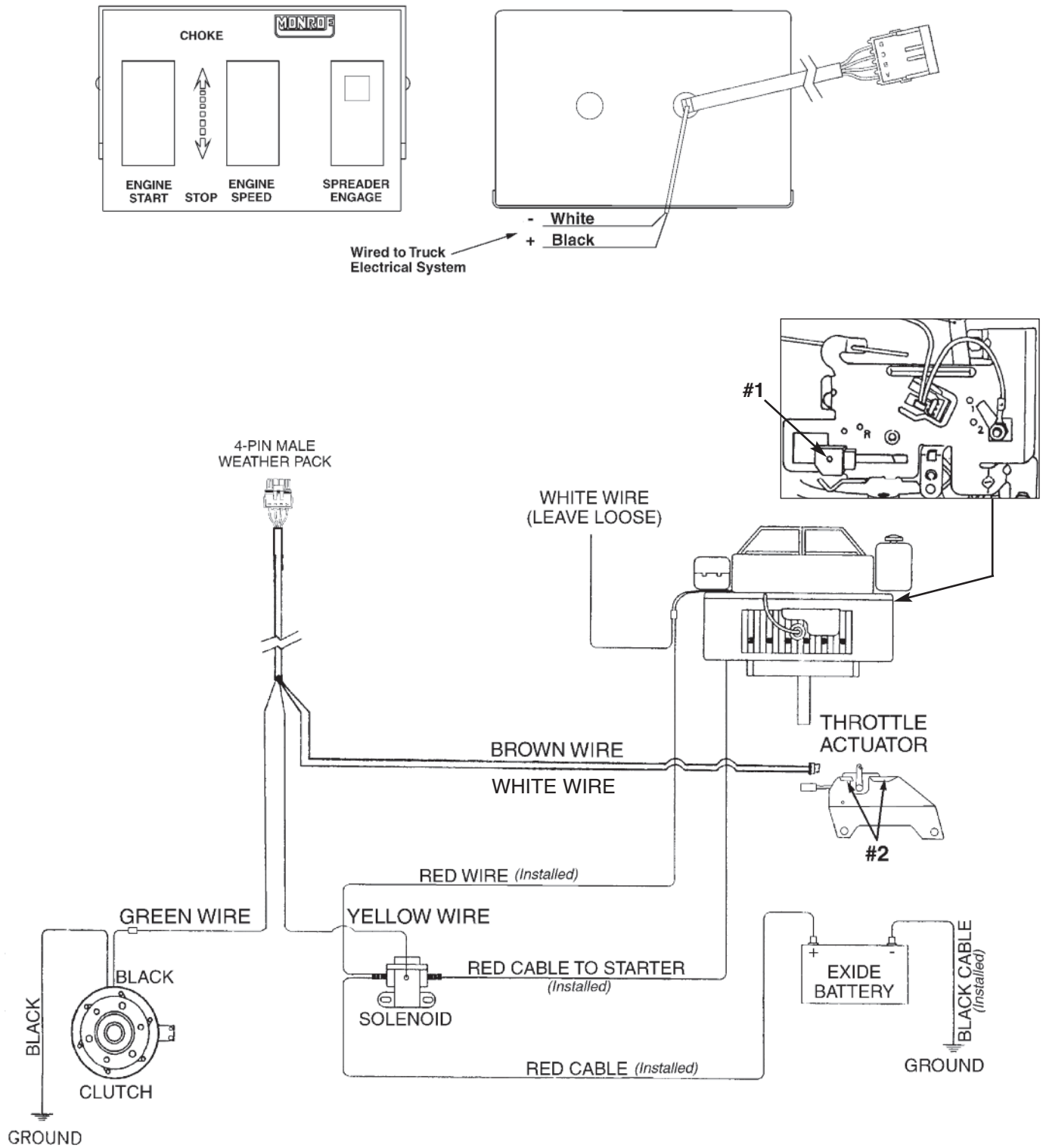
- Bolt the throttle actuator motor to the throttle control bracket using the three #8-32 x 5/8" machine screws, lock washers, and nuts provided. Make sure the throttle actuator arm extends up between the u-shaped slot in the bracket. (Tighten the screws.)
- Install the plastic throttle block with the pin being inserted into the engine throttle slide. (See the following page, reference #1)
- Remove the two right side engine mounting bolts.
- Insert throttle actuator arm pivot pin into the hole on the plastic throttle block and bolt the throttle control bracket to right side of engine mount using the bolts previously removed. (Tighten bolts.) Actuator and control bracket should be in position as shown in diagram below.



- Connect the short 4-wire harness to the throttle actuator motor, electric clutch and starter solenoid switch as shown on the following page. Route the harness down to the bottom rear of the spreader, keeping it away from any moving parts or any sharp edges.
- Find a convenient place to install the control panel in the truck cab using the mounting bracket supplied. Attach the gray harness to the truck electrical system by connecting the white wire to ground and the black wire to a good 12 VDC power source.
- Route the long 4-wire harness from the back of the control panel down through the floor and along the frame of the truck to the rear. Be sure to keep the harness away from the exhaust system, moving parts and sharp edges. Connect the two harnesses together at the rear of the truck using the 4-pin Weather Pak connector.
- With all the wires now connected, use the throttle switch to move the actuator arm in both directions. Engine throttle slide should move from the stop position (fully rearward) to the choke position (fully forward) without any binding. Tabs may have to be bent down slightly to achieve full movement. (See the following page, reference #2)
- Visually check the oil and gasoline level in engine. Check all other adjustments such as chain, bearings, belt, pulleys and sprockets for tightness and alignment. Turn on in-line gas valve and make sure all safety shields are in place.
- Fully choke engine and push the starter switch. Once engine has started, bring throttle back to idle or half speed.

# INSTALLATION INSTRUCTIONS

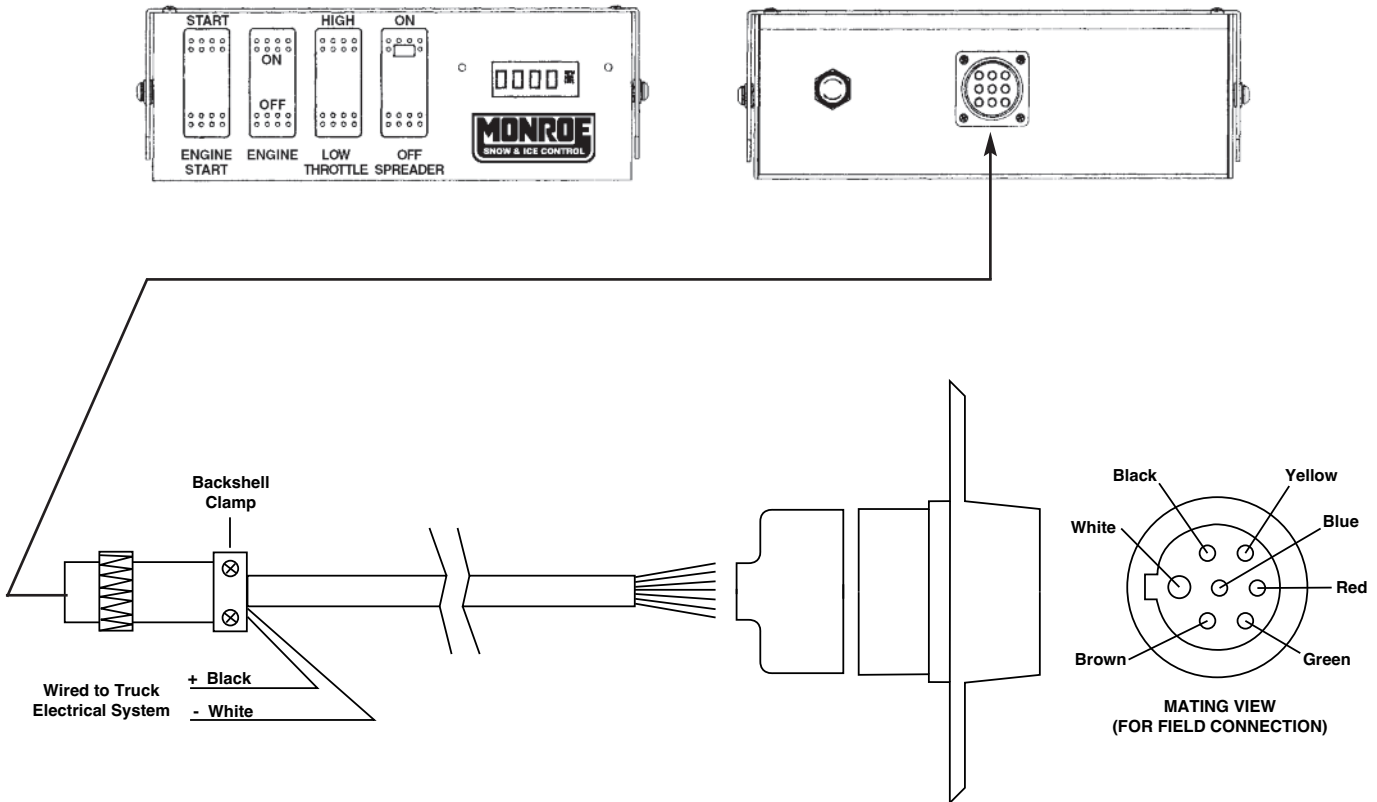
## Installing Standard Electric Throttle Control: (Continued)



# INSTALLATION INSTRUCTIONS

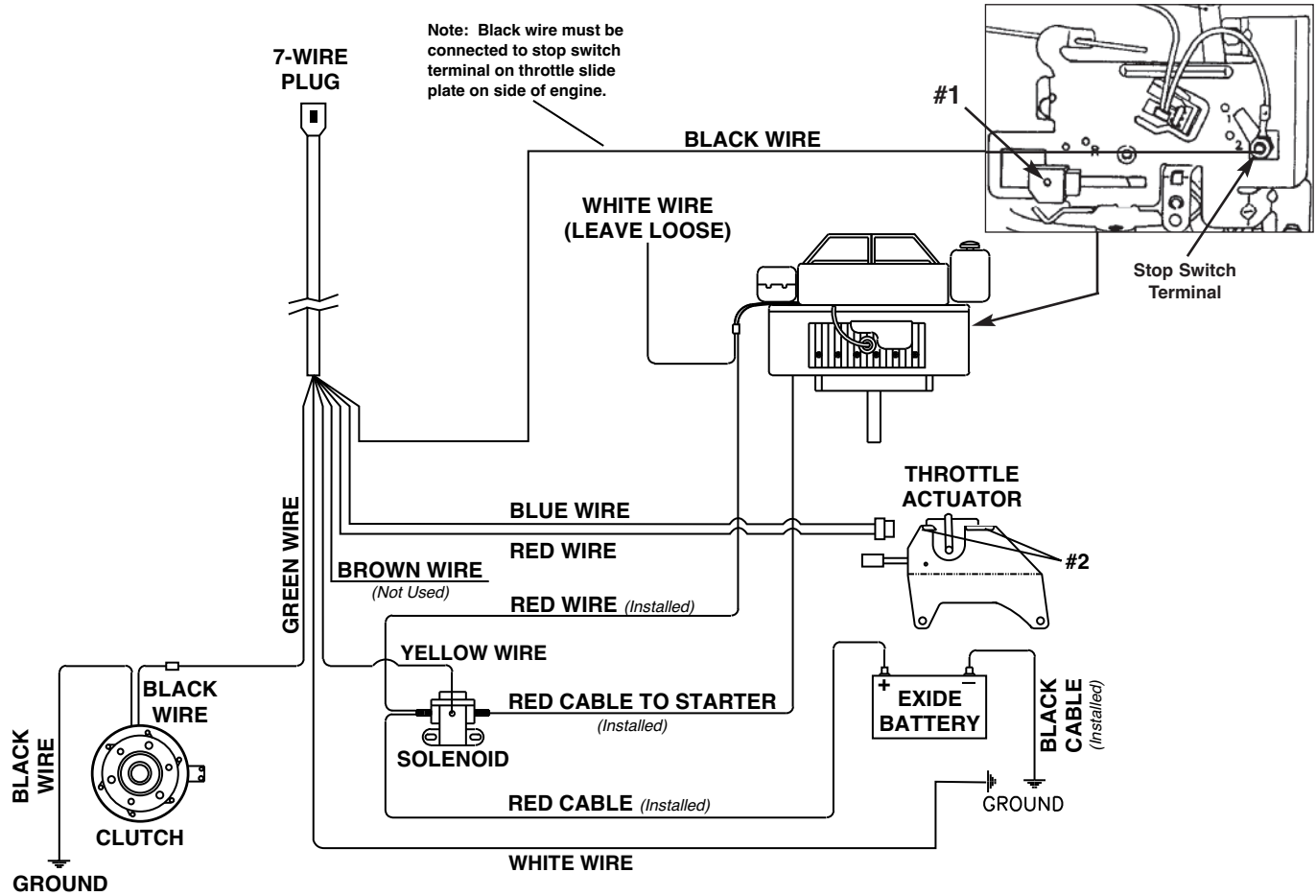
## Installing New Style Deluxe Throttle Control: (OPTIONAL)

- Use similar procedure as electric throttle installation (pages 10-11) except use deluxe control panel and 7-wire harness as shown below and on the following page.



# INSTALLATION INSTRUCTIONS

## Installing New Style Deluxe Throttle Control: (Continued)



# INSTALLATION INSTRUCTIONS

## Installing the Pickup V-Box Spreader Into Truck Using the *Optional* 00057595 Mounting Kit:

*(See page 53 for replacement parts)*

- Lift spreader (with spinner attached) onto bed of truck and center. Leave 1" gap between rear bumper and spinner.
- Attach (4) eyebolts in corners of truck sides. Fasten each with (1)  $\frac{3}{8}$ " lock nut and (2)  $\frac{3}{8}$ " flat washers.
- Attach each of (4) chains to mounting tabs with (1)  $\frac{3}{8}$ " x 1 $\frac{1}{2}$ " bolt, (1)  $\frac{3}{8}$ " flat washer, (1)  $\frac{3}{8}$ " lock washer and (1)  $\frac{3}{8}$ " nut.
- Hook (4) turnbuckles onto eyebolts and hook other end to chains that are bolted to spreader tabs. Tighten turnbuckles so spreader is centered and immovable.



# OPERATING INSTRUCTIONS

## Operation of electric start:

- All electric start models are supplied with a control panel. If your spreader is an electric start model, look at your control panel. It will have (3) switches mounted on it (the deluxe throttle control panel has 4). The one on the far left is the start switch. The far right switch is the electric clutch control. When the switch is in the "off" position, the electric clutch is disengaged and the conveyor and the spinner will stop. In the "on" position, the conveyor and spinner will operate. The center switch is the throttle. Your engine is equipped with a semiautomatic choke. To activate the choke, push the throttle switch until throttle is at it's fastest position. To remove choke function decrease throttle speed to desired engine RPM.
- Start the engine and engage the clutch. The amount of material spread, depends on engine speed and gate opening. Decreasing engine RPM and/or gate height will decrease amount spread; the inverse holds true also. Notice that the electric clutch can be engaged or disengaged at any time and at any engine RPM. However, since engagement time and torque is almost instantaneous, to prevent premature spinner chain failure and/or chain tension loss, it is recommended that the electric clutch should be engaged at the lowest possible RPM without stalling the engine.
- Spread pattern depends on baffle setting and engine RPM, follow the table below to achieve desired results.
- Slowing the engine down past idle will shut off the engine.

**Important:** When the engine driven Pickup V-Box is transported with the engine not running, or when the Pickup V-Box will not be used for any significant length of time, the fuel shut-off valve in the fuel line must be closed. **(See page 32.)** This will prevent the possibility of fuel seeping around the float in the carburetor and entering the engine crank case. To "close" the fuel shut-off valve, turn the knob so it is perpendicular to the fuel line, as shown on **page 32**. To "open" the valve for normal operation, turn the knob so it is parallel to the fuel line.

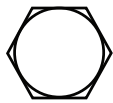
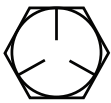
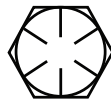
Table Symbols: L.B. = Left Baffle; R.B. = Right Baffle; B.B. = Back Baffle

Position of Baffle(s)	Result
1. L.B. in lowest position and R.B. and B.B. in highest position.	1. Immediate baffling effect to the left. With the effect tapering out to 11 ft. left of center pattern about 10 ft. behind the spinner. The pattern to the right and directly behind the spreader will continue as normal.
2. R.B. in lowest position and B.B. and L.B. in highest position.	2. Same as #1 but has the opposite effect on the right side.
3. R.B. and L.B. in lowest position and B.B. in highest position.	3. Immediate baffling effect is noticed on the right and left side with a gradual increase in pattern width proportional to the distance behind the spreader.
4. R.B. and B.B. in lowest position and L.B. in highest position.	4. Pattern: 2 ft. right of center and 10 - 15 ft. left of center.
5. B.B. and L.B. in lowest position and R.B. in highest position.	5. Pattern: 1 - 2 ft. left of center and 1 - 15 ft. right of center.
<b>NOTE: For immediate baffling to the right or left #4 and #5 work the best.</b>	
6. R.B. and L.B. in highest position and B.B. in lowest position.	6. Material will be dropped directly behind spreader and to both sides equally. There will be very little decrease in effective spread width.

## GENERAL INFORMATION

- Location descriptions are noted in direction of travel. (i.e. front, rear, left and right.)
- Delivery of replacement parts is subject to our sales delivery terms.
- Use only **Monroe Truck Equipment** O.E.M. replacement parts. Failure to do so will void warranty.
- Replacement parts listed in this manual reflect our most common PV Spreader items. If you do not find the part you require, please call your distributor.
- **Monroe Truck Equipment** reserves the right to make revisions or alterations to this parts manual.

## TORQUE CHART

SIZE	 GRADE 2	 GRADE 5	 GRADE 8
1/4-20	50 IN-LBS	75 IN-LBS	9 FT-LBS
3/8-16	15 FT-LBS	23 FT-LBS	35 FT-LBS
1/2-13	35 FT-LBS	55 FT-LBS	80 FT-LBS
5/8-11	75 FT-LBS	110 FT-LBS	170 FT-LBS
3/4-10	130 FT-LBS	200 FT-LBS	280 FT-LBS
1-8	190 FT-LBS	480 FT-LBS	680 FT-LBS
1 1/4-7	380 FT-LBS	840 FT-LBS	1,360 FT-LBS

# LUBRICATION CHART

**WARNING: NEVER CLEAN, LUBRICATE OR ADJUST WHILE THE SPREADER IS RUNNING.**

## LUBRICATION

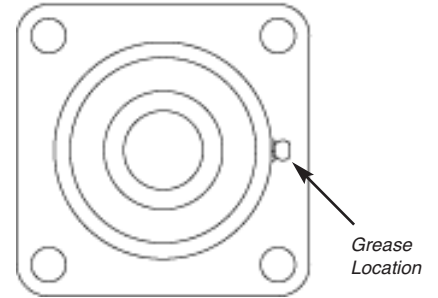
All bearing units are factory prelubricated and, therefore, do not require supplemental grease before service life begins. Relubrication, when administered correctly, can increase the life of a bearing substantially. We recommend the following general guidelines to maximize your bearing life:

RPM	Temperature	Environmental Condition	Interval
100	32°F-120°F	Clean	6-12 months
500	32°F-150°F	Clean	2-6 months
1,000	32°F-210°F	Clean	2 wks to 2 months
1,500	Over 210°F	Clean	Daily to weekly
Any	32°F-150°F	Dirty	Weekly to monthly
Any	Over 150°F	Dirty	Daily to 2 wks
Any	Any Temp.	Very Dirty	Daily to weekly
Any	Any Temp.	Extremely Dirty	Daily to weekly

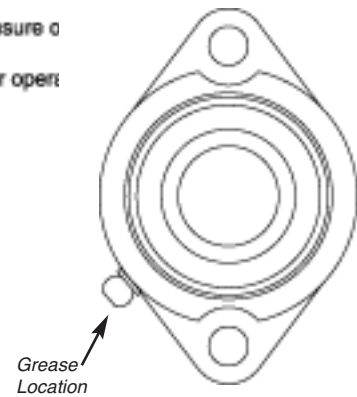
**NOTE:**

Over lubrication is a major cause of bearing failures. Please relubricate conservatively when unsure of bearing requirements. When selecting a bearing lubricant, your dealer suggest any lithium-based NLGI #2 grease. For oper higher than 210°F, please consult your dealer.

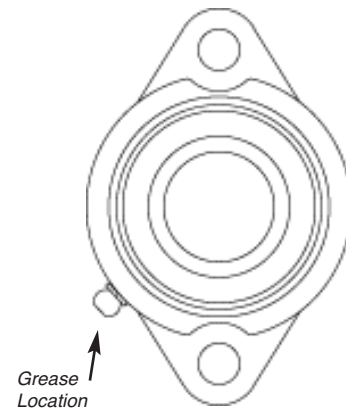
**BEARING, 1.25" 4-BOLT FLANGE  
PN: 05030029**



**BEARING, 1" 2-BOLT FLANGE  
PN: 05030023**

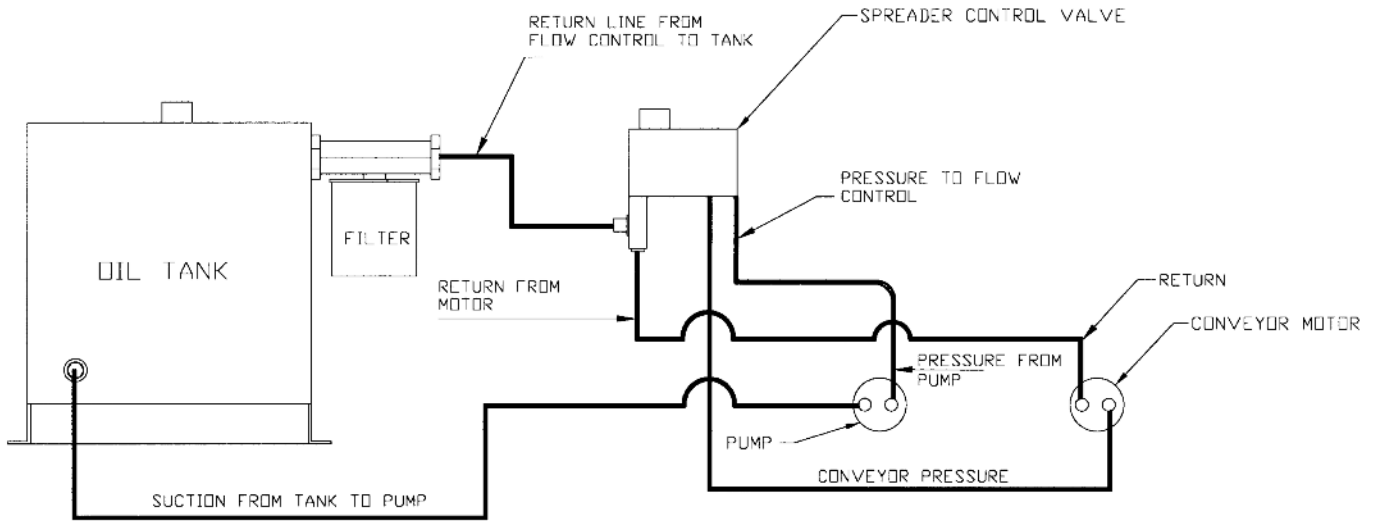


**BEARING, 1.25" 2-BOLT FLANGE  
PN: 05030024**



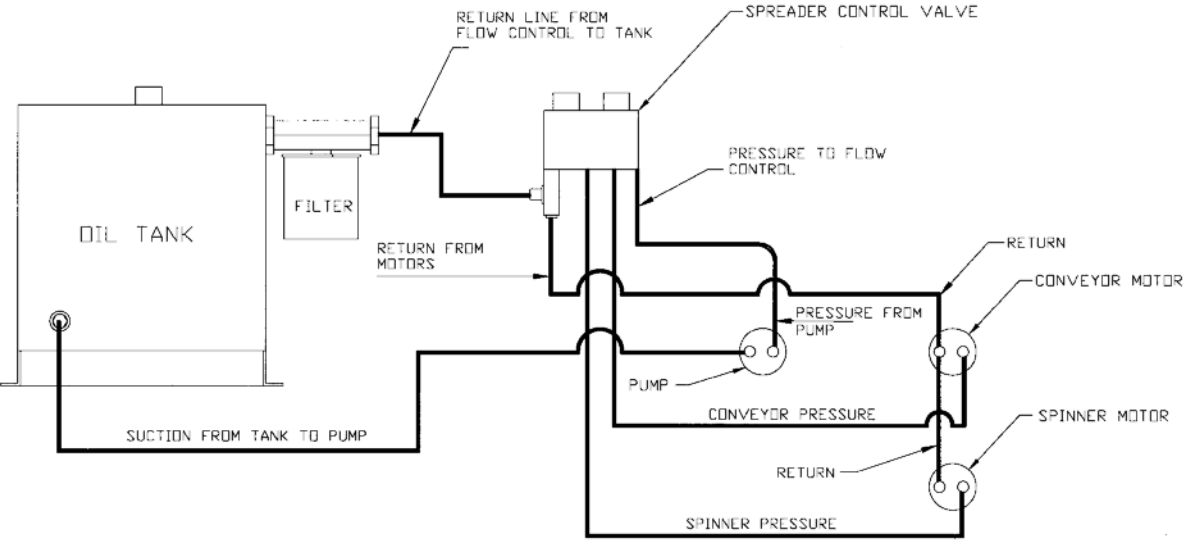
# HYDRAULIC SCHEMATICS

## One Motor



# HYDRAULIC SCHEMATICS

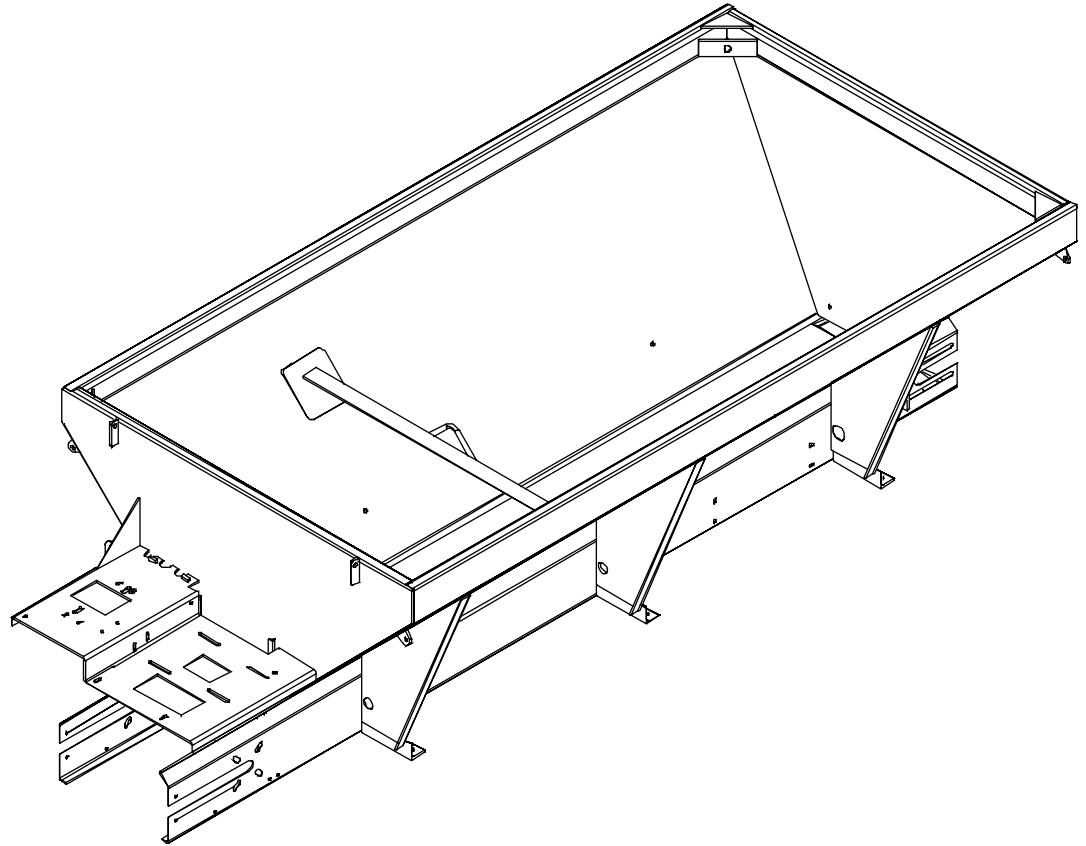
## Two Motors



## 8', 9' AND 10' MSPV SPREADER UNIT

Item	Qty	Part Number	Description
1	1	00029469-A 00029469-B	HOPPER WELDMENT, 96-50-32, MS HOPPER WELDMENT, 96-50-32, SST
		00031079-A 00031079-B	HOPPER WELDMENT, 108-50-32, MS HOPPER WELDMENT, 108-50-32, SST
		00031073-A 00031073-B	HOPPER WELDMENT, 120-50-32, MS HOPPER WELDMENT, 120-50-32, SST
2	1	05036017	CHAIN ASSEMBLY, 124 LINKS, 31 FLATS
		00012363	CHAIN ASSEMBLY, 140 LINKS, 35 FLATS
		05036263	CHAIN ASSEMBLY, 153 LINKS, 38 FLATS
3	1	05050095	TAG, SERIAL NUMBER, 1.25" X 3.5", SS
4	1	00056298-A 00056298-B	DECAL KIT, MS DECAL KIT, SST <i>Used on Hydraulic Drive Units</i>
		00056270-A 00056270-B	DECAL KIT, MS DECAL KIT, SST <i>Used on Engine Drive Units</i>
5	1	00056299-A 00056299-B	MOTOR KIT, MS MOTOR KIT, SST <i>Used on Hydraulic Drive Units</i>
		00059501-A 00059501-B	DRIVE KIT, MS DRIVE KIT, SST <i>Used on Hydraulic Drive Units</i>
6	1	00056266-A 00056266-B	DRIVE KIT, MS DRIVE KIT, SST <i>Used on Engine Drive Units</i>
		00056267-A 00056267-B	DOOR KIT, MS DOOR KIT, SST
7	1	00056267-A 00056267-B	DOOR KIT, MS DOOR KIT, SST
8	1	05050514	MANUAL, PICKUP V-BOX
9	1	00091758	CANISTER KIT, MANUAL STORAGE
10	1	00056269-A 00056269-B	ENGINE KIT, 9.0 BRIGGS, MS ENGINE KIT, 9.0 BRIGGS, SST
		00056268-A 00056268-B	ENGINE KIT, 11.0 HONDA, MS ENGINE KIT, 11.0 HONDA, SST
11	1	00056273-A 00056273-B	ENGINE HOOD KIT, MS ENGINE HOOD KIT, SST

# MSPV HOPPER WELDMENT



# MONROE SPREADER

Monroe, Wisconsin 53566

## ITEM #1

**CAUTION**

1. Keep all guards/shields in place.
2. Make certain everyone is clear of machine before starting engine or operation.
3. Keep hands, feet and clothing away from power driven parts.
4. Disengage PTO, shut off hydraulic valve and set parking brake before leaving operator's position. Make sure all movement has stopped before servicing or unclogging machine.
5. Make sure machine is solidly supported when it is being mounted, dismantled or stored.
6. Use flashing lights when operating machine.

IF DEFACED - ORDER PART NO. 05051404

## ITEM #2

**DANGER**

**Moving conveyor!**

- Disconnect and lockout power before servicing, adjusting or cleaning.
- Keep hands, feet, hair and loose clothing away from moving parts at all times
- Never remove or modify guards or shields

*Failure to heed will result in lams injury or death.*

IF DEFACED - ORDER PART NO. 05052309

## ITEM #3

**WARNING**

Flying debris. Stay clear and wear eye protection. Failure to heed will result in serious injury.

IF DEFACED - ORDER PART NO. 05051407

## ITEM #4

**CAUTION**

Use care when mounting or dismounting.

IF DEFACED-ORDER PART NO. 05051409

## ITEM #5

**DANGER**

**Moving conveyor/auger!**

- Disconnect and lockout power before servicing, adjusting or cleaning.
- Keep hands, feet, hair and loose clothing away from moving parts at all times
- Never remove or modify guards or shields

*Failure to heed will result in lams injury or death.*

IF DEFACED - ORDER PART NO. 05051511

## ITEM #6

**DANGER**

**Moving conveyor/auger!**

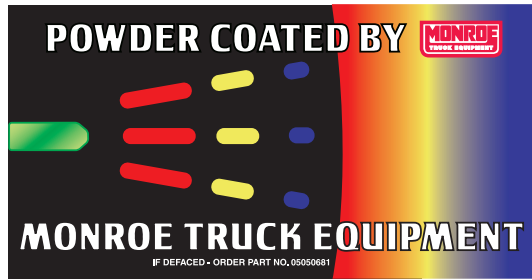
- Disconnect and lockout power before servicing, adjusting or cleaning.
- Keep hands, feet, hair and loose clothing away from moving parts at all times
- Never remove or modify guards or shields

*Failure to heed will result in lams injury or death.*

IF DEFACED - ORDER PART NO. 05051406

## ITEM #7





ITEM #8



ITEM #9



ITEM #10



**QUALITY CHECK**

**Inspected by:**

\_\_\_\_\_

\_\_\_\_\_

\_\_\_\_\_

\_\_\_\_\_

05052311

ITEM #11

00056298 DECAL KIT, HYD			
Item	Qty	Part Number	Description
1	2	05051405	DECAL, MONROE SPREADER
2	1	05051404	DECAL, CAUTION #1-#6
3	2	05052309	DECAL, DANGER: MOVING CONVEYOR
4	1	05051407	DECAL, WARNING: STAY CLEAR, WEAR
5	1	05051409	DECAL, CAUTION: USE CARE WHEN...
6	1	05051511	DECAL, DANGER: TURN POWER OFF
7	2	05051406	DECAL, DANGER: TURN POWER OFF
8	1	05050681	DECAL, BONDED POWDERCOAT <i>Not used on SST units</i>
9	3	05052310	DECAL, DANGER: KEEP GUARDS IN
10	1	05051625	DECAL, MONROE SNOW & ICE CONTROL
11	1	05052311	DECAL, QUALITY CHECK

# MONROE SPREADER

Monroe, Wisconsin 53566

ITEM #1

**! CAUTION**

1. Keep all guards/shields in place.
2. Make certain everyone is clear of machine before starting engine or operation.
3. Keep hands, feet and clothing away from power driven parts.
4. Disengage PTO, shut off hydraulic valve and set parking brake before leaving operator's position. Make sure all movement has stopped before servicing or unclogging machine.
5. Make sure machine is solidly supported when it is being mounted, dismantled or stored.
6. Use flashing lights when operating machine.

IF DEFACED - ORDER PART NO. 05051404

ITEM #2

**! DANGER**

**Moving conveyor!**


- Disconnect and lockout power before servicing, adjusting or cleaning.
- Keep hands, feet, hair and loose clothing away from moving parts at all times
- Never remove or modify guards or shields

*Failure to heed will result in ~~bars~~ injury or death.*

IF DEFACED - ORDER PART NO. 05052309

ITEM #4

**! WARNING**



**Flying debris.  
Stay clear and wear eye protection.  
Failure to heed will result in serious injury.**

IF DEFACED - ORDER PART NO. 05051407

ITEM #5

**! CAUTION**



**Use care when mounting or dismounting.**

IF DEFACED-ORDER PART NO. 05051409

ITEM #6

**! DANGER**

**Moving conveyor/auger!**

- Disconnect and lockout power before servicing, adjusting or cleaning.
- Keep hands, feet, hair and loose clothing away from moving parts at all times
- Never remove or modify guards or shields

*Failure to heed will result in ~~bars~~ injury or death.*

IF DEFACED - ORDER PART NO. 05051511

ITEM #7

**! DANGER**

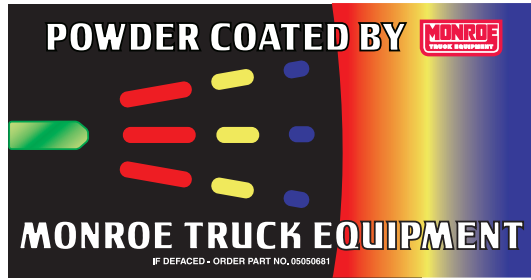
**Moving conveyor/auger!**

- Disconnect and lockout power before servicing, adjusting or cleaning.
- Keep hands, feet, hair and loose clothing away from moving parts at all times
- Never remove or modify guards or shields

*Failure to heed will result in ~~bars~~ injury or death.*

IF DEFACED - ORDER PART NO. 05051408

ITEM #8



ITEM #9



ITEM #10



ITEM #11



**QUALITY CHECK**

**Inspected by:**

\_\_\_\_\_

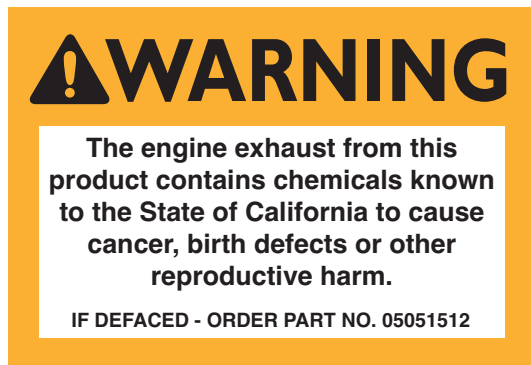
\_\_\_\_\_

\_\_\_\_\_

\_\_\_\_\_

05052311

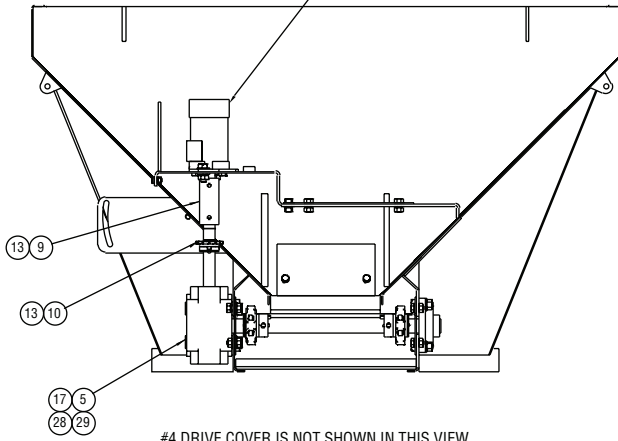
ITEM #12



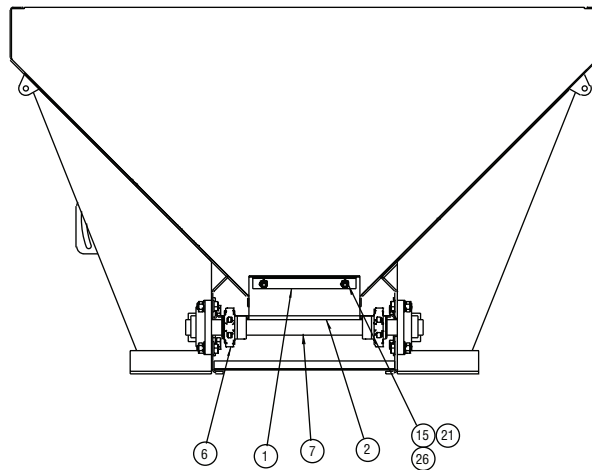
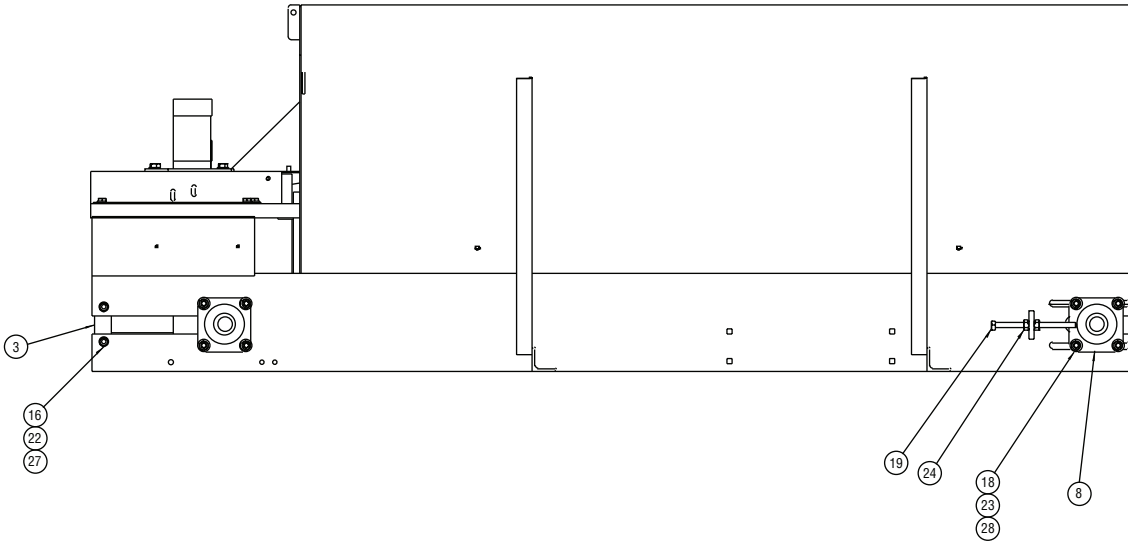
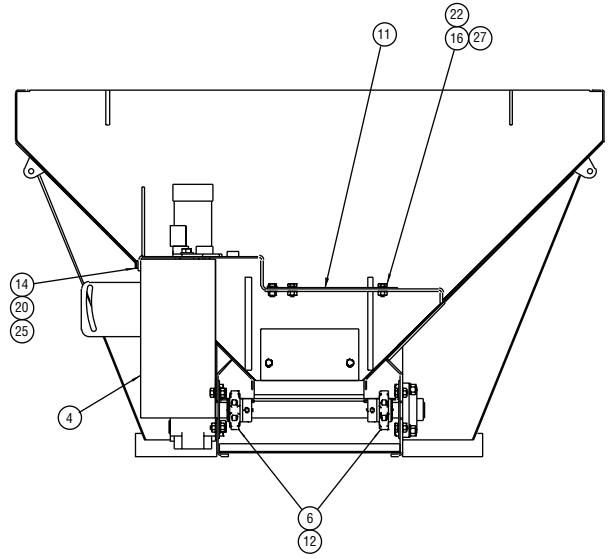
ITEM #13

00056270 DECAL KIT			
Item	Qty	Part Number	Description
1	2	05051405	DECAL, MONROE SPREADER
2	1	05051404	DECAL, CAUTION #1-#6
3	1	05051518	DECAL, OIL DRAIN, MSPV, 1" X 1.5"
4	2	05052309	DECAL, DANGER: MOVING CONVEYOR
5	1	05051407	DECAL, WARNING: STAY CLEAR, WEAR
6	1	05051409	DECAL, CAUTION: USE CARE WHEN...
7	1	05051511	DECAL, DANGER: TURN POWER OFF
8	2	05051406	DECAL, DANGER: TURN POWER OFF
9	1	05050681	DECAL, BONDED POWDERCOAT <i>Not used on SST units</i>
10	3	05052310	DECAL, DANGER: KEEP GUARDS IN
11	1	05051625	DECAL, MONROE SNOW & ICE CONTROL
12	1	05052311	DECAL, QUALITY CHECK
13	1	05051512	DECAL, WARNING EMISSIONS...

MOTOR IS SHOWN FOR REF ONLY



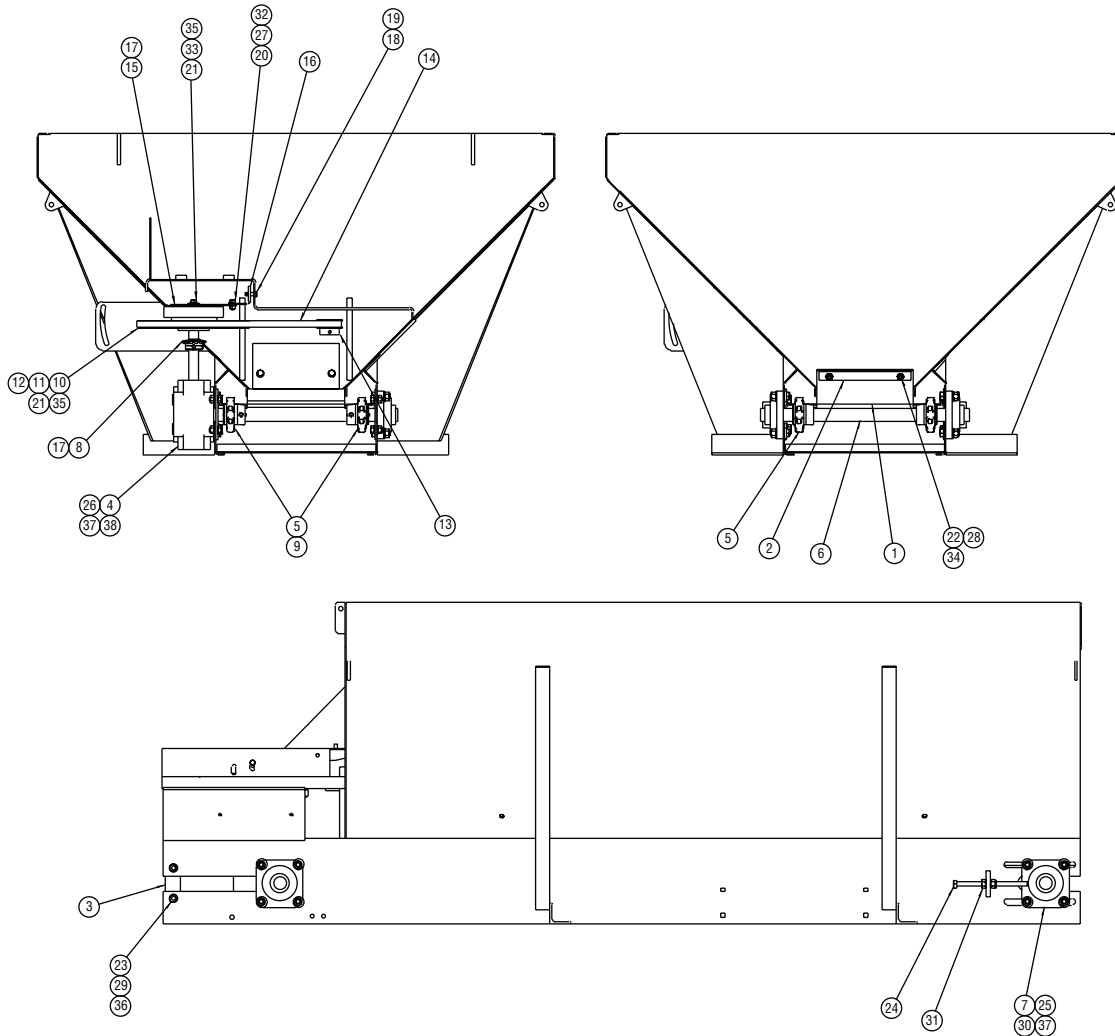
#4 DRIVE, COVER IS NOT SHOWN IN THIS VIEW



**00059501-A DRIVE KIT, MSPV/MD, HYD, MS**

**00059501-B DRIVE KIT, MSPV/MD, HYD, SST**

Item	Qty.	Part Number	Description
1	1	00057412-A	SHIELD BAR,RUBBER,MSPV,MS
1	1	00057412-B	SHIELD BAR,RUBBER,MSPV,304
2	1	05051221	WIPER,2PLY,FRONT,4.25x9.50,MSPV
3	2	00057409	STIFFENER PL,MSPV,MS
3	2	00057410-A	STIFFENER PL,MSPV,304
4	1	00057233-A	COVER,DRIVE,MSPV,MS
4	1	00057233-B	COVER,DRIVE,MSPV,304
5	1	05007337	GEARBOX,20:1,1.25 SFT DIA,18.0 LG
6	3	05033024	SPROCKET,6T,662,1.25 BORE
7	1	00057415	SHAFT WLDMT,IDLER,1.25,1 SPRKT
8	3	05030029	BEARING,1.25,4B FLANGE
9	1	05051201	COUPLER,SHAFT,1x4,SPDR TGT
10	1	05033006	SPROCKET,41B13FX,1 BORE,.25 KY
11	1	00105800-A	SAFETY PL,HYD DRIVE,MSPV,MS
11	1	00105800-B	SAFETY PL,HYD DRIVE,MSPV,304
12	2	05050121	KEY,SQ .25x.25x1.50
13	2	05051284	KEY,WOODRUFF .25x.875
14	2	05010591	BOLT .250-20x.750 G8 HHCS ZC
14	2	05016113	BOLT .250-20x.750 HHCS SST
15	2	05010618	BOLT .313-18x1.00 G8 HHCS ZC
15	2	05016138	BOLT .313-18x1.00 HHCS SST
16	8	05010642	BOLT .375-16x.875 G8 HHCS ZC
16	8	05016050	BOLT .375-16x.875 HHCS SST
17	4	05010689	BOLT .500-13x1.00 G8 HHCS ZC
17	4	05016047	BOLT .500-13x1.00 HHCS SST
18	12	05010691	BOLT .500-13x1.50 G8 HHCS ZC
18	12	05016096	BOLT .500-13x1.50 HHCS SST
19	2	05016106	BOLT .500-13x7.00 W/6.50 THD ZC
20	2	05020899	NUT .250-20 GC TOPLOCK C&W
20	2	05020906	NUT .250-20 NYLON LOCK 316 SST
21	2	05020907	NUT .313-18 NYLON LOCK 316 SST
21	2	05020909	NUT .313-18 GC TOPLOCK C&W
22	8	05020891	NUT .375-16 NYLON LOCK 316 SST
22	8	05020898	NUT .375-16 GC TOPLOCK C&W
23	12	05020847	NUT .500-13 GC TOPLOCK C&W
23	12	05020908	NUT .500-13 NYLON LOCK 316 SST
24	4	05020268	NUT .500-13 G8 HEX ZC
25	4	05021305	WASHER .250 FLAT ZC
25	4	05021403	WASHER .250 FLAT SST
26	4	05021306	WASHER .313 FLAT ZC
26	4	05021404	WASHER .313 FLAT SST
27	16	05021307	WASHER .375 FLAT ZC
27	16	05021390	WASHER .375 FLAT SST
28	28	05021005	WASHER .500 FLAT SAE MIL-CARB ZC
28	28	05021391	WASHER .500 FLAT SST
29	4	05021367	WASHER .500 LOCK ZC
29	4	05021396	WASHER .500 LOCK SST
30	.25	05051390	RUST PROOFER HEAVY DUTY

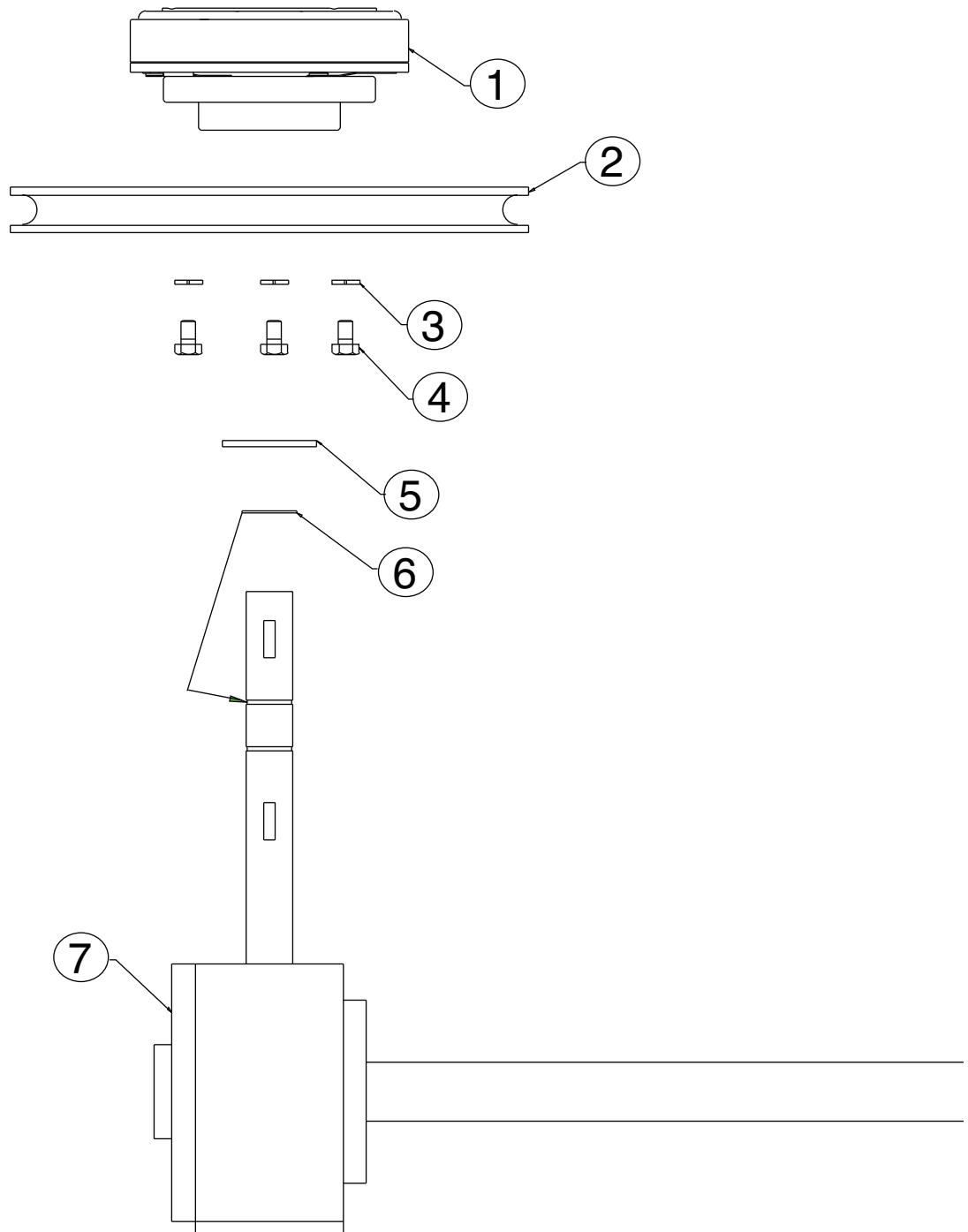


### 00056266 DRIVE KIT, MSPV/MD

Item	Qty.	Part Number	Description
1	1	00057412-A	SHIELD,BAR,RUBBER,MSPV,MS
1	1	00057412-B	SHIELD,BAR,RUBBER,MSPV,304
2	1	05051221	WIPER,2PLY,FRONT 4.25x9.50,MSPV
3	2	00057409	STIFFENER PL,MSPV,MS
3	2	00057410-A	STIFFENER PL,MSPV,304
4	1	05007337	GEARBOX,20:1,1.25 SFT DIAx18 LG
5	3	05033024	SPROCKET,6T,662,1.25 BORE,.25KW
6	1	00057415	SHAFT WLDMT,IDLER,1.25,1-SPRKT
7	3	05030029	BEARING,1.25,4B FLANGE
8	1	05033006	SPROCKET,41B13FX,1.0 BORE,.25KW
9	2	05050121	KEY,SQ .25x.25x1.50
10	1	05051283	SNAP RING,1",.940 ID
11	1	05053123	BUSHING,MACH,1x2,18GA,ZC
12	1	05034003	PULLY,11.0 OD,3.016 CTR HOLE,TRI-BLT MTG
13	1	05034007	PULLY,V-BELT,1" IDx2.5 OD,W/.25 KW
14	1	05051329	V-BELT,CLUTCH,MSPV,.625
15	1	00069497	CLUTCH ASSY,MSPV/MP,12V DC
16	1	00057446-A	BRACKET,CLUTCH RETAINING,MS,MSPV,MS
16	1	00057446-B	BRACKET,CLUTCH RETAINING,MS,MSPV,304

**00056266 DRIVE KIT, MSPV/MD**

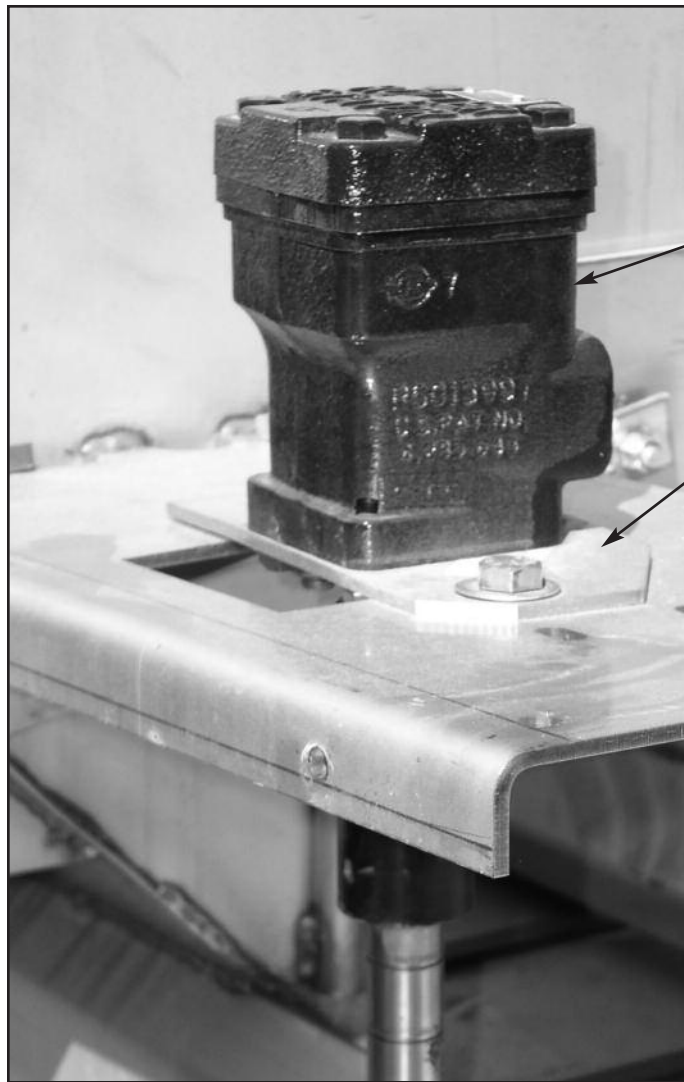
<b>Item</b>	<b>Qty.</b>	<b>Part Number</b>	<b>Description</b>
17	2	05051284	KEY,WOODRUFF,.25x.875
18	1	05022021	PIN .125x1.00 COTTER
19	1	05022213	PIN .375x1.00 CLEVIS ZC
19	1	05022214	PIN .375x1.00 CLEVIS SS
20	2	05010591	BOLT .250-20x.750 G8 HHCS ZC
20	2	05016113	BOLT .250-20x.750 HHCS SST
21	4	05010616	BOLT .312-18x.750 G8 HHCS ZC
21	4	05016136	BOLT .312-18x.750 HHCS SST
22	2	05010618	BOLT .313-18x1.00 G8 HHCS ZC
22	2	05016138	BOLT .313-18x1.00 HHCS SST
23	4	05010642	BOLT .375-16x.875 G8 HHCS ZC
23	4	05016050	BOLT .375-16x.875 HHCS SST
24	2	05016106	BOLT .500-13x7.00 W/6.50 THD ZC
25	12	05010691	BOLT .500-13x1.50 G8 HHCS ZC
25	12	05016204	BOLT .500-13x1.75 HHCS SST
26	4	05010689	BOLT .500-13x1.00 G8 HHCS ZC
26	4	05016047	BOLT .500-13x1.00 HHCS SST
27	2	05020899	NUT .250-20 GC TOPLOCK C&W
27	2	05020906	NUT .250-20 NYLON LOCK 316 SST
28	2	05020907	NUT .313-18 NYLON LOCK 316 SST
28	2	05020909	NUT .313-18 GC TOPLOCK C&W
29	4	05020891	NUT .375-16 NYLON LOCK 316 SST
29	4	05020898	NUT .375-16 GC TOPLOCK C&W
30	12	05020847	NUT .500-13 GC TOPLOCK C&W
30	12	05020908	NUT .500-13 NYLON LOCK 316 SST
31	4	05020268	NUT .500-13 G8 HEX ZC
32	4	05021305	WASHER .250 FLAT ZC
32	4	05021403	WASHER .250 FLAT SST
33	1	05021459	WASHER .334/.349 X 1.375 BLKZC
34	4	05021306	WASHER .313 FLAT ZC
34	4	05021404	WASHER .313 FLAT SST
35	4	05021364	WASHER .313 LOCK ZC
35	4	05021407	WASHER .313 LOCK SST
36	8	05021307	WASHER .375 FLAT ZC
36	8	05021390	WASHER .375 FLAT SST
37	28	05021005	WASHER .500 FLAT SAE MILCARB ZC
37	28	05021391	WASHER .500 FLAT SST
38	4	05021367	WASHER .500 LOCK ZC
38	4	05021396	WASHER .500 LOCK SST
39	.25	05051390	RUST PROOFER,HEAVY DUTY



### MSPV DRIVE PARTS LIST

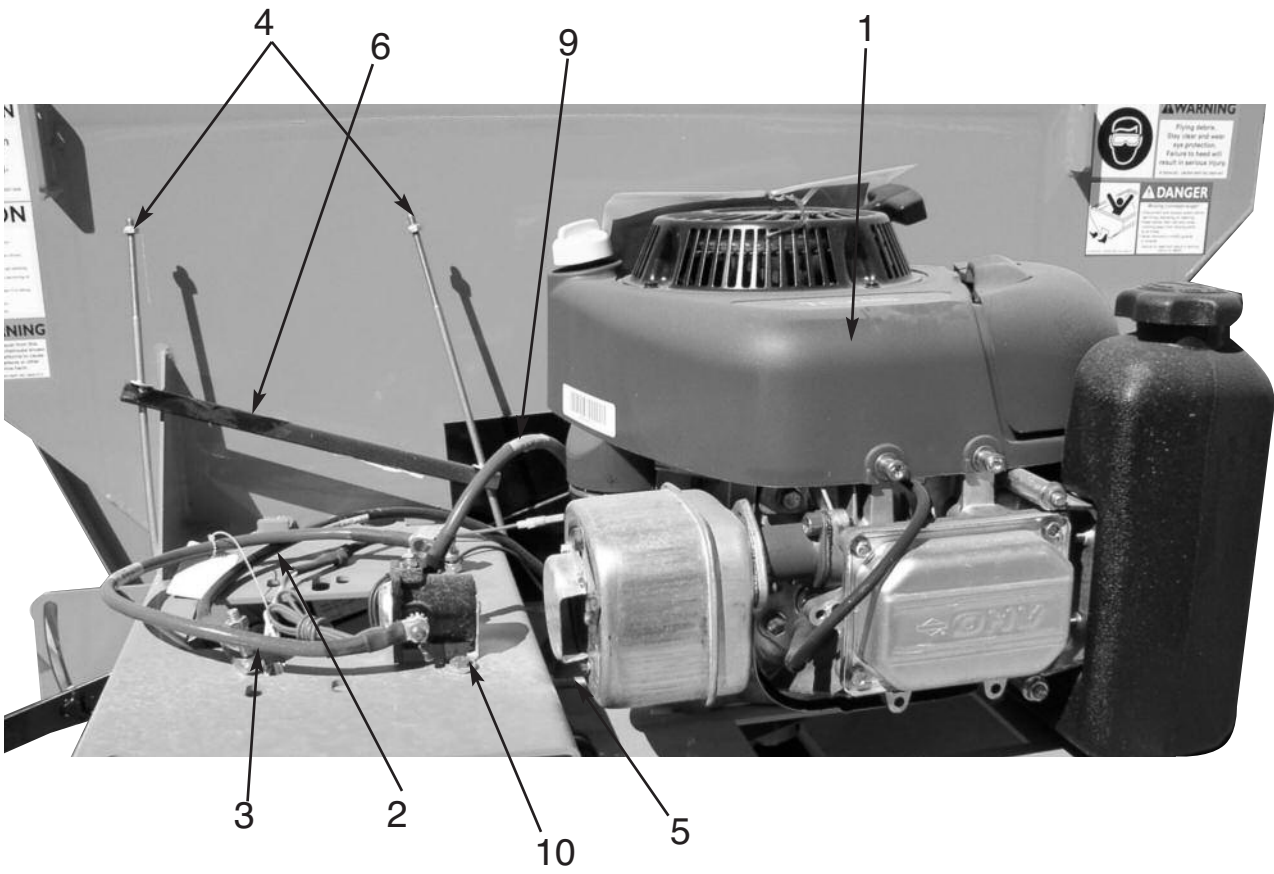
Item	Qty	Part Number	Description
1	1	00069497	CLUTCH ASSEMBLY
2	1	05034003	PULLEY, 11" OD
3	3	05021364	WASHER, .313 LOCK
4	3	05010616	BOLT, .313-18 X .75, GR8, HHCS, ZINC
5	1	05053123	BUSHING
6	1	05051283	SNAP RING
7	1	05007337	GEARBOX <i>See Page 59</i>





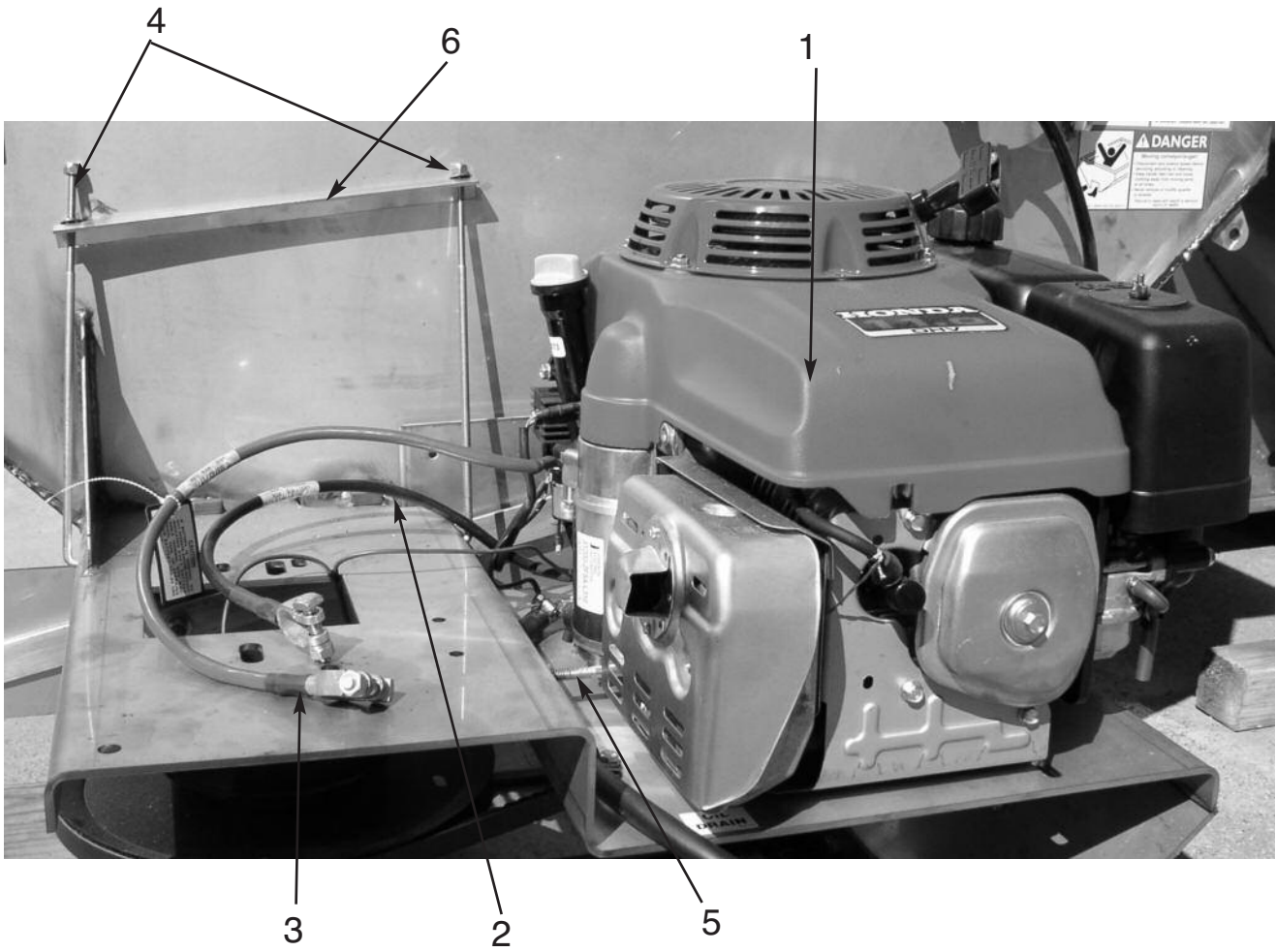
### 00056299 MOTOR KIT, HYD, MS

Item	Qty	Part Number	Description
1	1	05006546	MOTOR, HYD, WHITE, 3.2CID, 1" SHAFT <i>See Page 60-61</i>
2	4	05010644 05016049	BOLT, .375-16 X 1.25, G8, HHCS, ZINC BOLT, .375-16 X 1.25, HHCS, SST
3	4	05021365 05021392	WASHER, .375-16, LOCK, ZINC WASHER, .375-16, LOCK, SST
4	1	00022310-C 00022310-B	MOUNTING PLATE, MOTOR, MS, PAINTED MOUNTING PALTE, MOTOR, SST
5	2	05010690 05016045	BOLT, .5-13 X 1.25, G8, HHCS, ZINC BOLT, .5-13 X 1.25, HHCS, SST
6	2	05020847 05020908	NUT, .5-13, GC TOP LOCK NUT, .5-13, NYLON LOCK, 316
7	1	05021309 05021391	WASHER, .5, FLAT, ZINC WASHER, .5, FLAT, SST



## 00056269 ENGINE KIT, 10.5 BRIGGS

Item	Qty	Part Number	Description
1	1	05005041	ENGINE, 10.5 HP, BRIGGS AND STRATTON
2	1	05041011	CABLE, BLACK BATTERY, 4GA, 19" OAL
3	1	05041012	CABLE, RED BATTERY, 4GA, 20" OAL
4	2	05051068	ROD, .25-20 X 12, 90° BEND
5	1	05051070	ROD, .3125-18 X 8.5, 90° BEND
6	1	00057449-A 00057449-B 00057449-D	BAR, BATTERY STRAP, 10GA, MS BAR, BATTERY STRAP, 10GA, SST BAR, BATTERY, STRAP, 10GA, AUSST
7	1	00024328	BRACKET, ELECTRIC, THROTTLE, NEW STYLE
8	1	00016823	OIL DRAIN KIT, BRIGGS <i>See Page 41</i>
9	1	05014010	CABLE, RED BATTERY, 4GA, 11" OAL
10	1	05041067	SOLENOID, 12 VOLT-CENTER TERM
11	1	05006656	THROTTLE MOTOR, 12V DC <b>NOT SHOWN</b>
12	1	05050246	THROTTLE BLOCK, UHMW W/ PIN <b>NOT SHOWN</b>
13	1	05010618 05016138	BOLT, .313-18 X 1, G8, H HCS, ZINC BOLT, .313-18 X 1, HHCS, SST
14	3	05010593 05016040	BOLT, .250-20 X 1, G8, HHCS, ZINC BOLT, .250-20 X 1, HHCS, SST
15	3	05010621 05016141	BOLT, .313-18 X 1.75, G8, HHCS, ZINC BOLT, .313-18 X 1.75, HHCS, SST
16	2	05020264 05020844	NUT, .250-20, G8, HEX, ZINC NUT, .250-20, HEX, SST
17	4	05020899 05020906	NUT, .250-20, TOP LOCK, ZINC NUT, .250-20, NYLON LOCK, SST
18	2	05020605 05020904	NUT, .250-20 SPINLOCK, ZINC NUT, .250-20, SPINLOCK, SST
19	7	05020265 05020855	NUT, .313-18, G8, HEX, ZINC NUT, .313-18, HEX, SST
20	2	05021363 05021393	WASHER, .250, LOCK, ZINC WASHER, .250, LOCK, SST
21	8	05021305 05021403	WASHER, .250, FLAT, ZINC WASHER, .250, FLAT, SST
22	5	05021364 05021407	WASHER, .313, LOCK, ZINC WASHER, .313, LOCK, SST
23	11	05021306 05021404	WASHER, .313, FLAT, ZINC WASHER, .313, FLAT, SST



## 00056268 ENGINE KIT, 11.0 HONDA

Item	Qty	Part Number	Description
1	1	05005000	ENGINE, 11 HP, HONDA VERTICLE
2	1	05041011	CABLE, BLACK BATTERY, 4GA, 19" OAL
3	1	05041012	CABLE, RED BATTERY, 4 GA, 20" OAL
4	2	05051068	ROD, .25-20 X 12, 90° BEND
5	1	05051070	ROD, .3125-18 X 8.5, 90° BEND
6	1	00057449-A 00057449-B 00057449-D	BAR, BATTERY STRAP, 10GA, MS BAR, BATTERY STRAP, 10GA, SST BAR, BATTERY STRAP, 10GA, AUSST
7	1	05010618 05016138	BOLT, .313-18 X 1, G8, HHCS, ZINC BOLT, .313-18 X 1, HHCS, SST
8	1	05010593 05016040	BOLT, .250-20 X 1, G8, HHCS, ZINC BOLT, .250-20 X 1, HHCS, SST
9	3	05010621 05016141	BOLT, .313-18 X 1.75, G8, HHCS, ZINC BOLT, .313-18 X 1.75, HHCS, SST
10	4	05020899 05020906	NUT, .250-20, TOP LOCK, ZINC NUT, .250-20, NYLON LOCK, SST
11	2	05020605 05020904	NUT, .250-20, SPINLOCK, ZINC NUT, .250-20, SPIN LOCK, SST
12	7	05020265 05020855	NUT, .313-18, G8, HEX, ZINC NUT, .313-18, HEX, SST
13	4	05021305 05021403	WASHER, .250, FLAT, ZINC WASHER, .250, FLAT, SST
14	5	05021364 05021407	WASHER, .313, LOCK, ZINC WASHER, .313, LOCK, SST
15	11	05021306 05021404	WASHER, .313, FLAT, ZINC WASHER, .313, FLAT, SST
16	1	00016578	THROTTLE CONTROL KIT, STD, ELECTRIC, 11HP, HONDA <i>See Page 36</i>
17	1	00016825	OIL DRAIN KIT, HONDA ENGINE <i>See Page 42</i>
18	1	00135266	THROTTLE CONTROL
19	1	05053012	TERMINAL SWITCH, TOP MOUNT

**00016578 THROTTLE CONTROL KIT, STD, ELEC, 11.0 HONDA**

<b>Item</b>	<b>Qty</b>	<b>Part Number</b>	<b>Description</b>
1	1	05006685	THROTTLE MOTOR, MSPV, 12V DC
2	1	00071385	LINKAGE, ELECT THROTTLE, BOSH
3	1	0IBH	PIN, COTTER, 1/16 X 3/4 ZINC
4	1	00129789	BRACKET ASSEMBLY, CONTROL THROTTLE, ELECTRIC
5	3	05016949	SCREW, #6-32 X .625 SL, RD HD
6	3	05021411	WASHER, #6 LOCK, SST
7	3	05020966	NUT, #6-32, HEX, SST
8	1	05021413	WASHER, #10, FLAT, 18-8 SS
9	2	05041356	CABLE SEAL, GREEN, PACKARD WEATHER
10	2	05041354	TERMINAL, MALE, PACKARD WEATHER
11	1	05041353	CONNECTOR, 2 TERM, SHROUD HALF

**00056273 ENGINE HOOD KIT**

<b>Item</b>	<b>Qty</b>	<b>Part Number</b>	<b>Description</b>
1	1	00095119-A 00095119-B	ENGINE HOOD WELDMENT, MS ENGINE HOOD WELDMENT, SST
2	1	00011655	TRIM, TOP SEAL
3	1	00057247	ROD HOOD, 17.5" LONG, CARBON STEEL
4	2	00057575	TRIM , (SIDES)
5	1	05020851	NUT, .375-16 ACORN ZINC
6	1	05022072	PIN, .156 X .875, ROLL ZINC
7	1	05050313	CLIP HOLDER
8	1	05016941	SCREW, #10-24 X .5 PH RD HD, SST
9	1	05020964	NUT, #10-24, NYLON LOCK, 18-8 SS

### 00056267 DOOR KIT

Item	Qty	Part Number	Description
1	1	00057172-A 00057172-B 00057172-C 00057172-D	DOOR WELDMENT, REAR SLIDING, MS DOOR WELDMENT, REAR SLIDING, 304 SST DOOR WELDMENT, REAR SLIDING, 409 DOOR WELDMENT, REAR SLIDING, AUSST
2	1	00042790 00042791	HANDLE WELDMENT, DOOR, REAR, MS HANDLE WELDMENT, DOOR, REAR, SST
3	1	05020841	NUT, .375-16 X 4.25, HANDLE
4	2	05020898 05020891	NUT, .375-16, TOP LOCK, C&W, GR C NUT, .375-16, NYLON LOCK, SST

### INVERTED V KITS

Item	Qty	Part Number	Description
1	1	00057251-A 00057251-B 00029473-A 00029473-B	INVERTED V WELDMENT, 6-8, MS INVERTED V WELDMENT, 6-8, SST INVERTED V WELDMENT, 9-10, MS INVERTED V WELDMENT, 9-10, SST
2	4	05010641 05016050	BOLT, .375-16 X .875, G8, HHCS, ZINC BOLT, .375-16 X .875, HHCS, SST
3	4	05020607 05020840	NUT, .375-16, G2, SPINLOCK, ZINC NUT, .375-16, SPINLOCK, SST



**TOP GRATE WELDMENT, .25"**

Item	Qty	Part Number	Description
1	1	00057509 00038000 00044948	TOP GRATE WELDMENT, MSPV, 96, .25" ROD TOP GRATE WELDMENT, MSPV, 108, .25" ROD TOP GRATE WELDMENT, MSPV, 120, .25" ROD

**TOP GRATE WELDMENT, 8', .375"**

Item	Qty	Part Number	Description
1	2	00034523	TOP GRATE WELDMENT, MSPV, 4.0'

**TOP GRATE WELDMENT, 9', .375"**

Item	Qty	Part Number	Description
1	1	00012204	TOP GRATE WELDMENT, MSPV, 60, 58
2	1	00034523	TOP GRATE WELDMENT, MSPV, 48, 46.5

**TOP GRATE WELDMENT, 10', .375"**

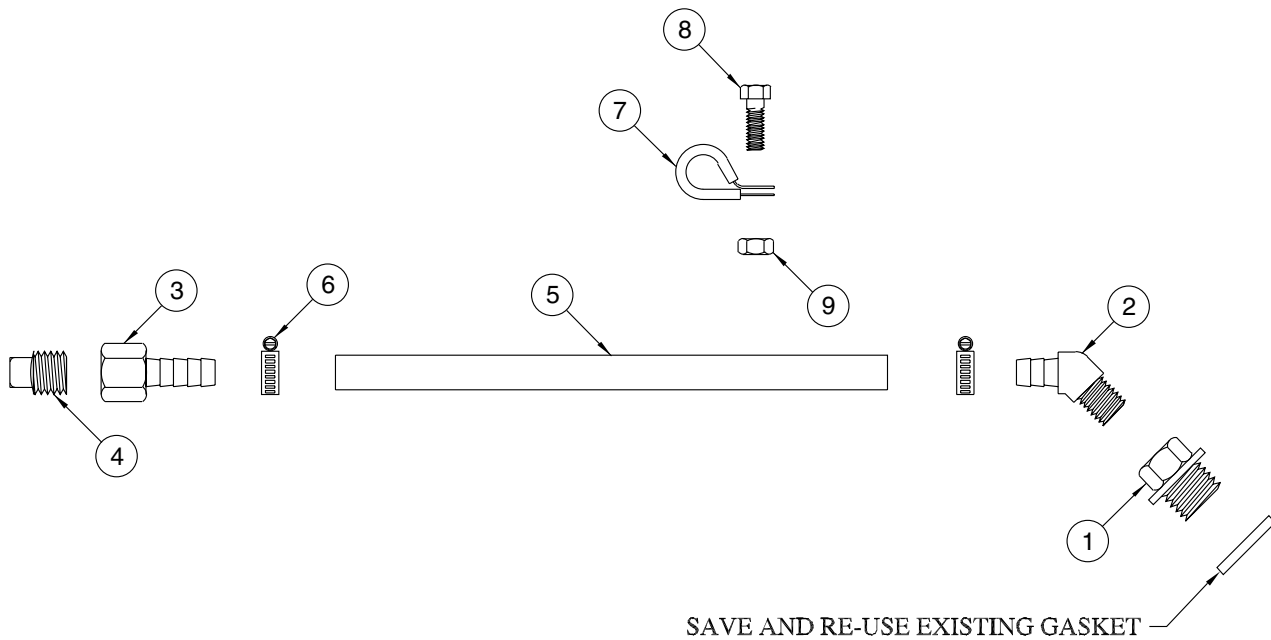
Item	Qty	Part Number	Description
1	2	00012204	TOP GRATE WELDMENT, MSPV, 60, 58

## FLOOR KIT, MSPV, 8'-10', BOLT ON FLOOR

Item	Qty	Part Number	Description
1	1	00038957-A	FLOOR, MSPV, 8', 10GA, MS
		00038957-B	FLOOR, MSPV, 8', 12GA, 304 SST
		00048376-A	FLOOR, MSPV, 9', 10GA, MS
		00048376-B	FLOOR, MSPV, 9', 12GA, 304 SST
		00048378-A	FLOOR, MSPV, 10', 10GA, MS
		00048378-B	FLOOR, MSPV, 10', 12GA, 304 SST
2	24/22	05010618	BOLT, .313-18 X 1, G8, HHCS, ZINC
		05016138	BOLT, .313-18 X 1, HHCS, SST
3	24/22	05020606	NUT, .313-18, G2, SPINLOCK, ZINC
		05020901	NUT, .313-18, SPINLOCK, SST

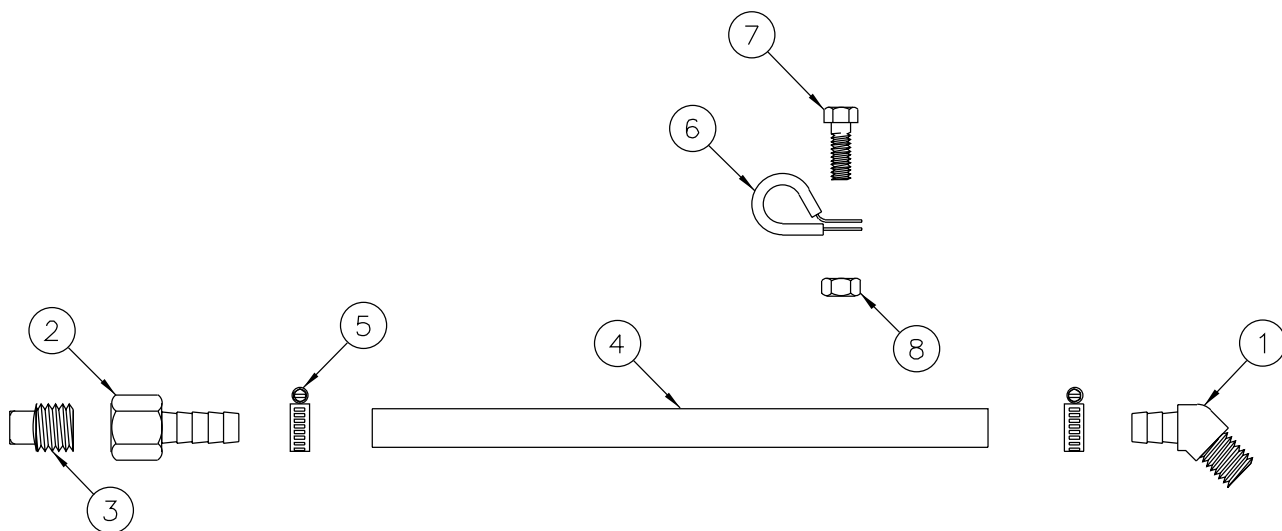
## FLOOR KIT, MSPV, BOLT ON POLY FLOOR

Item	Qty	Part Number	Description
1	1	00042745 00048353 00048354	FLOOR, MSPV, 8', .375, POLY FLOOR, MSPV, 9', .375, POLY FLOOR, MSPV, 10', .375, POLY
2	1	00044968-A 00044968-B	FLOOR BRACE WELDMENT, MS FLOOR BRACE WELDMENT, 304 SST
3	2	05014677 05016033	SCREW, .375-16 X 1.25, FLAT HEAD SCREW, .375-16 X 1.25, FLAT, HEAD, SST
4	2	05010644 05016049	BOLT, .375-16 X 1.25, G8, HHCS, ZINC BOLT, .375-16 X 1.25, HHCS, SST
5	4	05020607 05020840	NUT, .375-16, G2, SPINLOCK, ZINC NUT, .375-16, SPINLOCK, SST



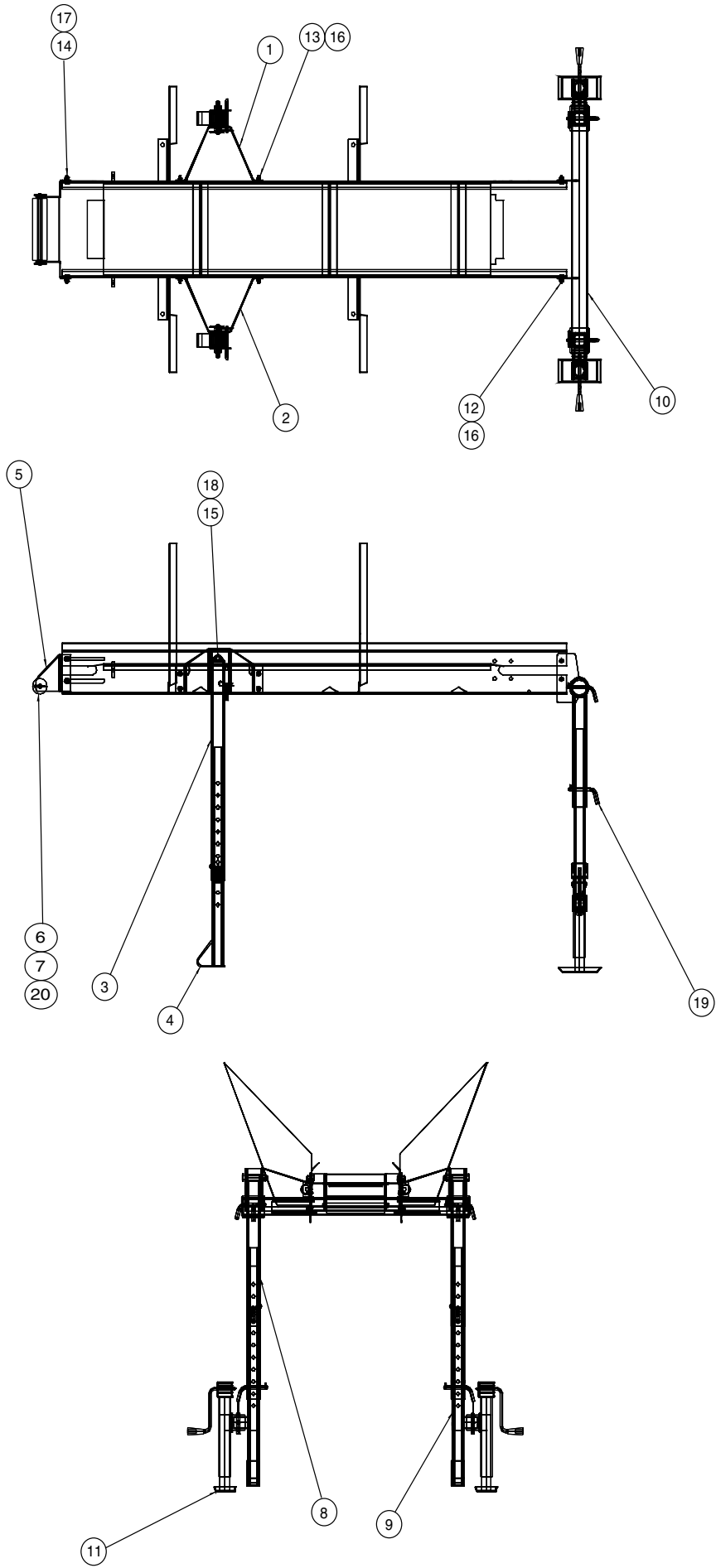
### 00016825 OIL DRAIN KIT, MSPV, HONDA ENGINE

Item	Qty	Part Number	Description
1	1	00016824	PLUG, OIL DRAIN, MSPV, MODIFIED
2	1	05038580	HOSE BARB, .375" X .25" MNPT, 45°, BRASS
3	1	05037506	HOSE BARB, .375" X .375" FNPT, BRASS
4	1	05038092	PLUG, .375" NPT, BLACK PIPE
5	1.33'	05037507	HOSE, FUEL LINE, .375" ID X 16 LONG
6	2	05037282	CLAMP, HOSE, .5" SST
7	1	05051786	CLAMP, .685" ID, CUSHIONED METAL
8	1	05010591	BOLT, .250-20 X .750, G8, HHCS, ZINC
9	1	05020605	NUT, .250-20, G5, SPINLOCK, ZINC



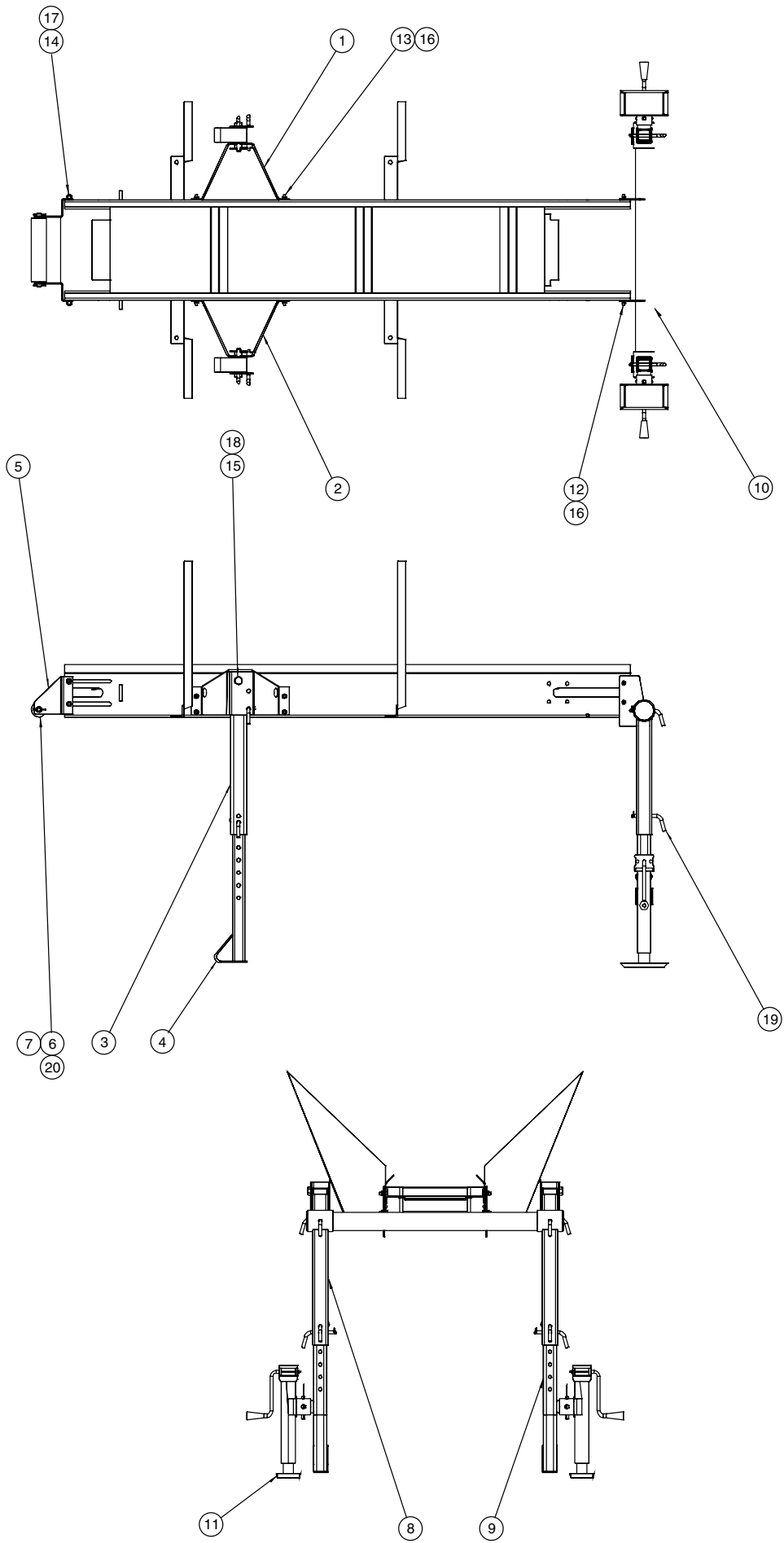
### 00016823 OIL DRAIN KIT, MSPV, BRIGGS, ENGINE

Item	Qty	Part Number	Description
1	1	05038581	HOSE BARB, .375 X .375 MNPT, 45° BRASS
2	1	05037506	HOSE BARB, .375 X .375 FNPT, BRASS
3	1	05038092	PLUG, .375" NPT, BLACK PIPE
4	1.33'	05037507	HOSE, FUEL LINE, .375 ID X 16 LONG
5	2	05037282	CLAMP, HOSE, .5, SST
6	1	05051786	CLAMP, .5 ID, CUSHIONED METAL
7	1	05010591	BOLT, .250-20 X .750, G8, HHCS, ZINC
8	1	05020605	NUT, .250-20, G5, SPINLOCK, ZINC



**00105838-A LEG KIT, MSPV, SELF LOADING, 1TON, MS**  
**00105838-B LEG KIT, MSPV, SELF LOADING, 1TON, SST**

<b>Item</b>	<b>Qty.</b>	<b>Part Number</b>	<b>Description</b>
1	1	00087722-A	LEG MOUNT WLDMT,MSPV,RH,FRT,MS
1	1	00087722-B	LEG MOUNT WLDMT,MSPV,RH,FRT,304
2	1	00087723-A	LEG MOUNT WLDMT,MSPV,LH,FRT,MS
2	1	00087723-B	LEG MOUNT WLDMT,MSPV,LH,FRT,304
3	2	00105835-A	LEG WLDMT,MSPV,UPPER,FR,36,MS
3	2	00105835-B	LEG WLDMT,MSPV,UPPER,FR,36,304
4	2	00105837-A	LEG WLDMT,MSPV,FR,LOWER,36,MS
4	2	00105837-B	LEG WLDMT,MSPV,FR,LOWER,36,304
5	1	00087734-A	ROLLER MOUNT WLDMT,MSPV,MS
5	1	00087734-B	ROLLER MOUNT WLDMT,MSPV,304
6	1	00087735-A	AXLE,ROLLER,MSPV,LEG KIT,MS
6	1	00087735-B	AXLE,ROLLER,MSPV,LEG KIT,304
7	1	05051915	ROLLER,UHMV,2.5 DIAx10.25 LG,.8125 ID
8	2	00087743-A	LEG WLDMT,RR,MSPV,UPPER,MS
8	2	00087743-B	LEG WLDMT,RR,MSPV,UPPER,304
9	2	00105833-A	LEG WLDMT,RR,MSPV,LOWER,30,MS
9	2	00105833-B	LEG WLDMT,RR,MSPV,LOWER,30,304
10	1	00087747-A	CROSS TUBE WLDMT,MSPV,LEG KIT,MS
10	1	00087747-B	CROSS TUBE WLDMT,MSPV,LEG KIT,304
11	2	05052090	JACK,TUBE MOUNT,SIDE CRANK,MODEL SM
12	4	05010643	BOLT .375-16x1.00 G8 HHCS ZC
12	4	05016034	BOLT .375-16x1.00 HHCS SST
13	8	05013986	BOLT .375-16x1.00 G5 CRG ZC
13	8	05016003	BOLT .375-16x1.00 CRG SST
14	4	05010689	BOLT .500-13x1.00 G8 HHCS ZC
14	4	05016047	BOLT .500-13x1.00 HHCS SST
15	2	05010772	BOLT .750-10x4.00 G8 HHCS SST
15	2	05010772	BOLT .750-10x4.00 G8 HHCS ZC
16	12	05020891	NUT .375-16 NYLON LOCK 316 SST
16	12	05020898	NUT .375-16 GC TOPLOCK C&W
17	4	05020847	NUT .500-13 GC TOPLOCK C&W
17	4	05020908	NUT .500-13 NYLON LOCK 316 SST
18	2	05020849	NUT .750-10 GC TOPLOCK C&W
18	2	05020905	NUT .750-10 NYLON LOCK 316 SST
19	8	05022136	PIN .500x4.50 4" GRIP,BENT ZC,W/BRIDGE PIN
19	8	05022136	PIN .500x4.50 4"GRIP,BENT ZC,W/BRIDGE PIN
20	2	05022100	PIN .188 x 1.50 COTTER





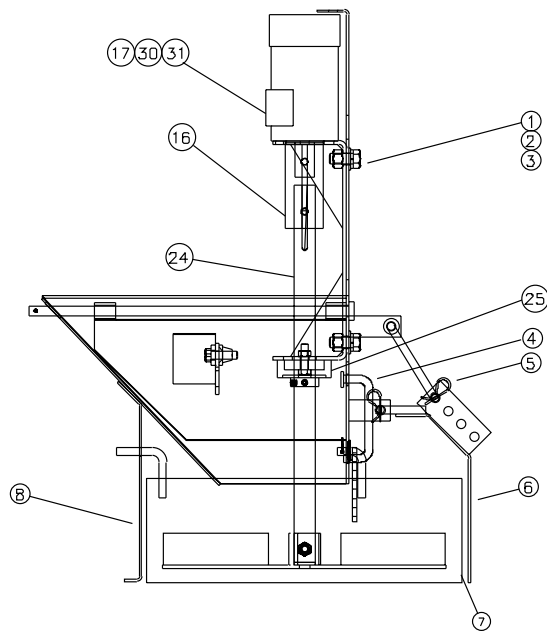
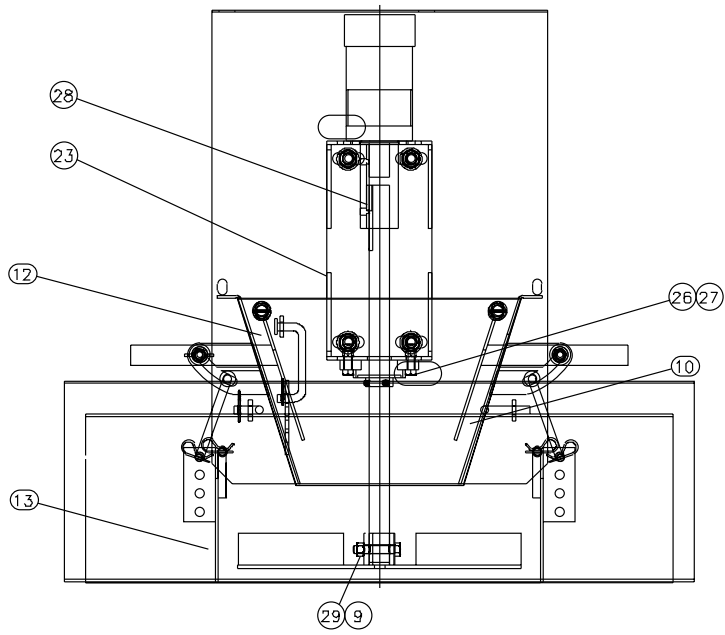
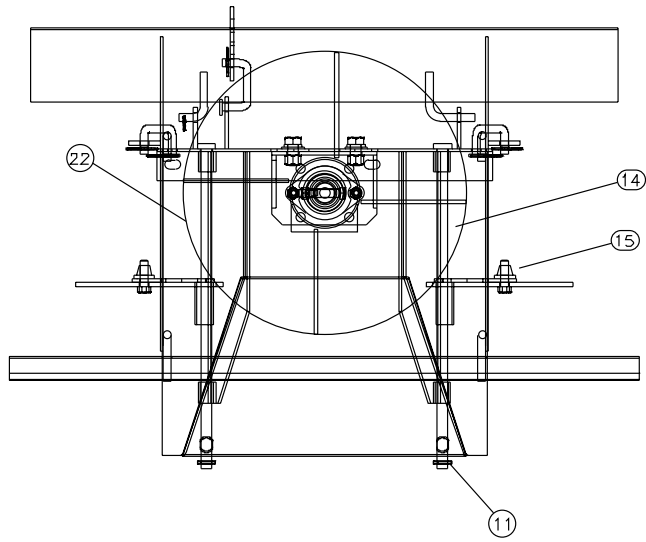
**00087748-A LEG KIT, MSPV, SELF LOADING, MS**  
**00087748-B LEG KIT, MSPV, SELF LOADING, SST**

Item	Qty	Part Number	Description
1	1	00087722-A 00087722-B	LEG MOUNT WELDMENT, RH, FRONT, MS LEG MOUNT WELDMENT, RH, FRONT, SST
2	1	00087723-A 00087723-B	LEG MOUNT WELDMENT, LH, FRONT, MS LEG MOUNT WELDMENT, LH, FRONT, SST
3	2	00087727-A 00087727-B	LEG MOUNT WELDMENT, UPPER, FRONT, MS LEG MOUNT WELDMENT, UPPER, FRONT, SST
4	2	00087730-A 00087730-B	LEG MOUNT WELDMENT, FRONT, LOWER, MS LEG MOUNT WELDMENT, FRONT, LOWER, SST
5	1	00087734-A 00087734-B	ROLLER MOUNT WELDMENT, MS ROLLER MOUNT WELDMENT, SST
6	1	00087735-A 00087735-B	AXLE, ROLLER, LEG KIT, MS AXLE, ROLLER, LEG KIT, SST
7	1	05051915	ROLLER, UHMW, 2.5 DIA X 10.25 LG, .8125 ID, CROSS CONVEYOR, 18"
8	2	00087743-A 00087743-B	LEG WELDMENT, RR, UPPER, MS LEG WELDMENT, RR, UPPER, SST
9	2	00087746-A 00087746-B	LEG WELDMENT, RR, LOWER, MS LEG WELDMENT, RR, LOWER, SST
10	1	00087747-A 00087747-B	CROSS TUBE WELDMENT, MS CROSS TUBE WELDMENT, SST
11	2	05052090	JACK, TUBE MOUNT, SIDE CRANK
12	4	05010643 05016034	BOLT, .375-16 X 1, G8, HHCS, ZINC BOLT, .375-16 X 1, HHCS, SST
13	8	05013986 05016003	BOLT, .375-16 X 1, G5, CARRIAGE, ZINC BOLT, .375-16 X 1, CARRIAGE, SST
14	4	05010689 05016047	BOLT, .5-13 X 1, G8, HHCS, ZINC BOLT, .5-13 X 1, HHCS, SST
15	2	05010772	BOLT, .750-10 X 4, G8, HHCS, ZINC
16	12	05020898 05020891	NUT, .375-16, GC, TOP LOCK, C&W NUT, .375-16, NYLON LOCK, 316 SST
17	4	05020847 05020908	NUT, .5-13, GC, TOP LOCK, C&W NUT, .5-13, NYLON LOCK, 316 SST
18	2	05020849 05020905	NUT, .750-10, GC, TOP LOCK, C&W NUT, .750-10, NYLON LOCK, 316 SST
19	8	05022136	PIN, .5 X 4.50, 4" GRIP, BENT ZINC, W/ BRIDGE PIN
20	2	05022100	PIN, .188 X 1.50, COTTER



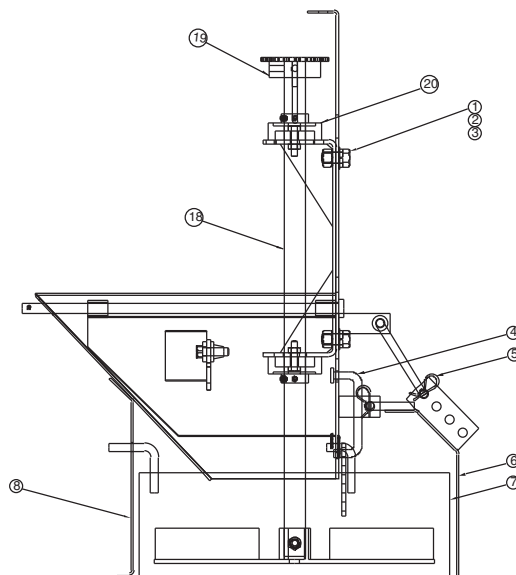
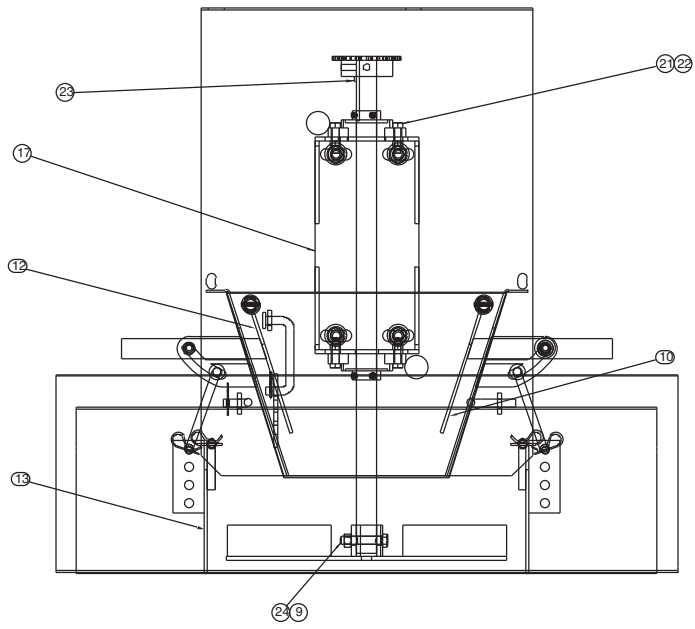
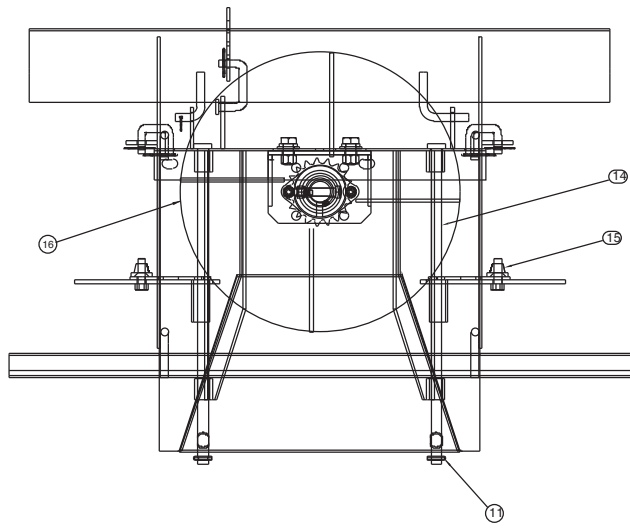
## SPINNER ASSEMBLIES

Item	Qty	Part Number	Description	
1	1	00042731-A 00042731-B	SPINNER ASSEMBLY, HYDRAULIC, BOLT-ON, MS SPINNER ASSEMBLY, HYDRAULIC, BOLT-ON, SST	<i>See Page 44-45</i>
2	1	00057260-A 00057260-B	SPINNER ASSEMBLY, CHAIN, BOLT-ON, MS SPINNER ASSEMBLY, CHAIN, BOLT-ON, SST	<i>See Page 46-47</i>
3	1	00042732-A 00042732-B	SPINNER ASSEMBLY, EXTENDED, HYD, MS SPINNER ASSEMBLY, EXTENDED, HYD, SST	<i>See Page 48-49</i>
4	1	00057535-A 00057535-B	EXTENDED SPINNER ASSEMBLY, CHAIN, BOLT-ON, MS EXTENDED SPINNER ASSEMBLY, CHAIN, BOLT-ON, SST	<i>See Page 50-51</i>



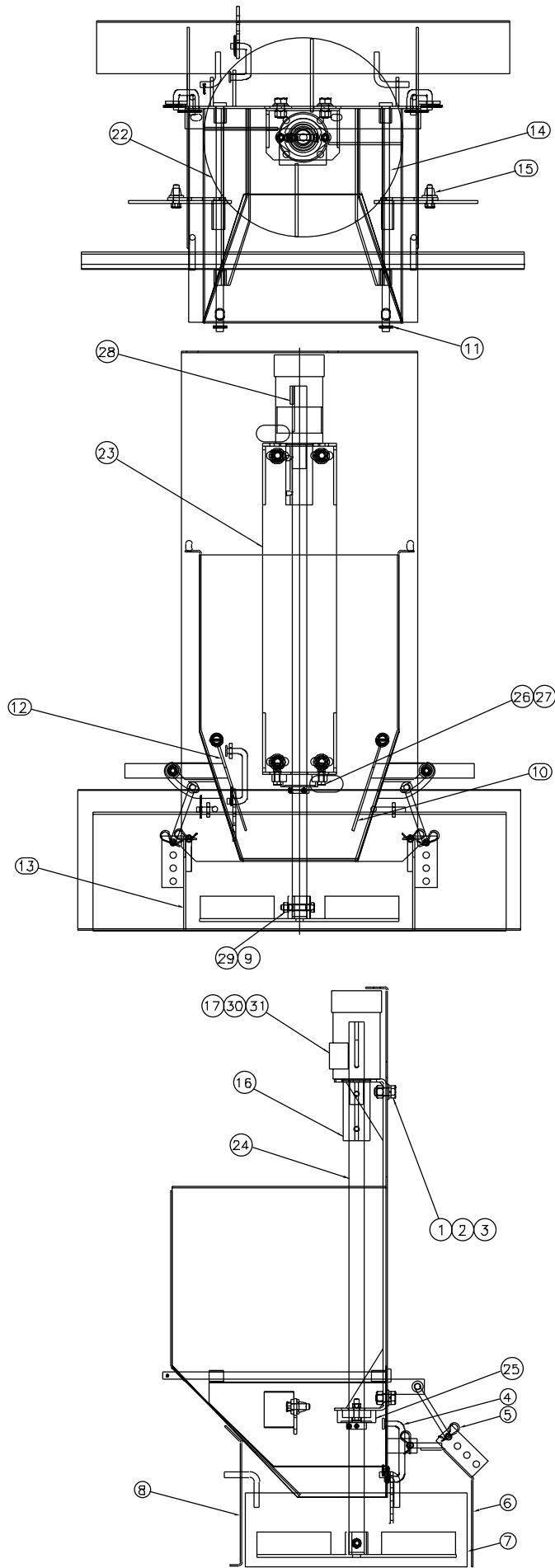
**00042731 SPINNER ASSEMBLY, HYD-DRIVE**

Item	Qty	Part Number	Description
1	4	05010689 05016047	BOLT, .5-13 X 1, G8, HHCS, ZINC BOLT, .5-13 X 1, HHCS, SST
2	4	05021309 05021391	WASHER, .5, FLAT, ZINC WASHER, .5, FLAT, SST
3	4	05021367 05021396	WASHER, .5, LOCK, ZINC WASHER, .5, LOCK, SST
4	3	05051225	ARM, ADJ LINK FOR NEW STYLE
5	6	05022045	PIN, .0725 X 1.562 X .375 HAIR
6	1	00057308-A 00057308-B	DEFLECTOR, REAR, MSPV, WELDMENT, MS DEFLECTOR, REAR, MSPV, WELDMENT, SST
7	1	00057360-A 000573690-B	DEFLECTOR, SIDE LH, WELDMENT, MSPV, MS DEFLECTOR, SIDE LH, WELDMENT, MSPV, SST
8	1	00057582-A 00057582-B	SPINNER FRAME WELDMENT, MSPV, MS SPINNER FRAME WELDMENT, MSPV, SST
9	1	05020898 05020891	NUT, .375-16, TOP LOCK, C&W, GR C NUT, .375-16, NYLON LOCK, SST
10	1	00057348-A 00057348-B	DIVERTER, LH FLOW, WELDMENT, MSPV, MS DIVERTER, LH FLOW, WELDMENT, MSPV, SST
11	2	05022072	PIN, .156 X .875, ROLL, ZINC
12	1	00057347-A 00057347-B	DIVERTER, RH FLOW, WELDMENT, MSPV, MS DIVERTER, RH FLOW, WELDMENT, MSPV, SST
13	1	00057359-A 00057359-B	DEFLECTOR, RH SIDE, WELDMENT, MSPV, MS DEFLECTOR, RH SIDE, WELDMENT, MSPV, SST
14	2	05050122	PIN, PIVOT, .5 DIA X 15.25, PLATED
15	2	05050574	KNOB, PLASTIC STAR GRIP, .375-16
16	1	05051201	COUPLER, SHAFT, 1" X 4"
17	1	05006546	MOTOR, HYD, WHITE, 3.2 CID, 1" SHAFT <i>See Page 60-61</i>
18	1	05051402	DECAL- DANGER: TURNING SPINNERS.
22	1	00057257-A 00057257-B 05050064	SPINNER DISK WELDMENT, MSPV, MS SPINNER DISK WELDMENT, MSPV, SST SPINNER DISC, 13.5 UHMW, CCW, BOLT-ON
23	1	00057275-A 00057275-B	BRACKET, BEARING HOLD WELDMENT, MS BRACKET, BEARING HOLD WELDMENT, SST
24	1	00070495	SPINNER SHAFT MODIFICATION
25	1	05030023	BEARING, 1" BORE, 2 BOLT MOUNT
26	2	05010619 05016139	BOLT, .313-18 X 1.25, G8, HHCS, ZINC BOLT, .313-18 X 1.25, HHCS, SST
27	2	05020265 05020855	NUT, .313-18, G8, HEX, ZINC NUT, .313-18, HEX, SST
28	1	05050121	KEY, .25 X .25 X 1.5
29	1	05010647 05016166	BOLT, .375-16 X 2, G8, HHCS, ZINC BOLT, .375-16 X 2, HHCS, SST
30	4	05010642 05016050	BOLT, .375-16 X .875, G8, HHCS, ZINC BOLT, .375-16 X .875, HHCS, SST
31	4	05021365 05021392	WASHER, .375, LOCK, ZINC WASHER, .375, LOCK, SST
32	1	00012698	ATTACHMENT KIT, SPINNER MSPV, HYD KIT <i>See Page 52</i>
33	1	05052310	DECAL - DANGER: KEEP GUARDS IN



**00057260 SPINNER ASSEMBLY, CHAIN, BOLT-ON**

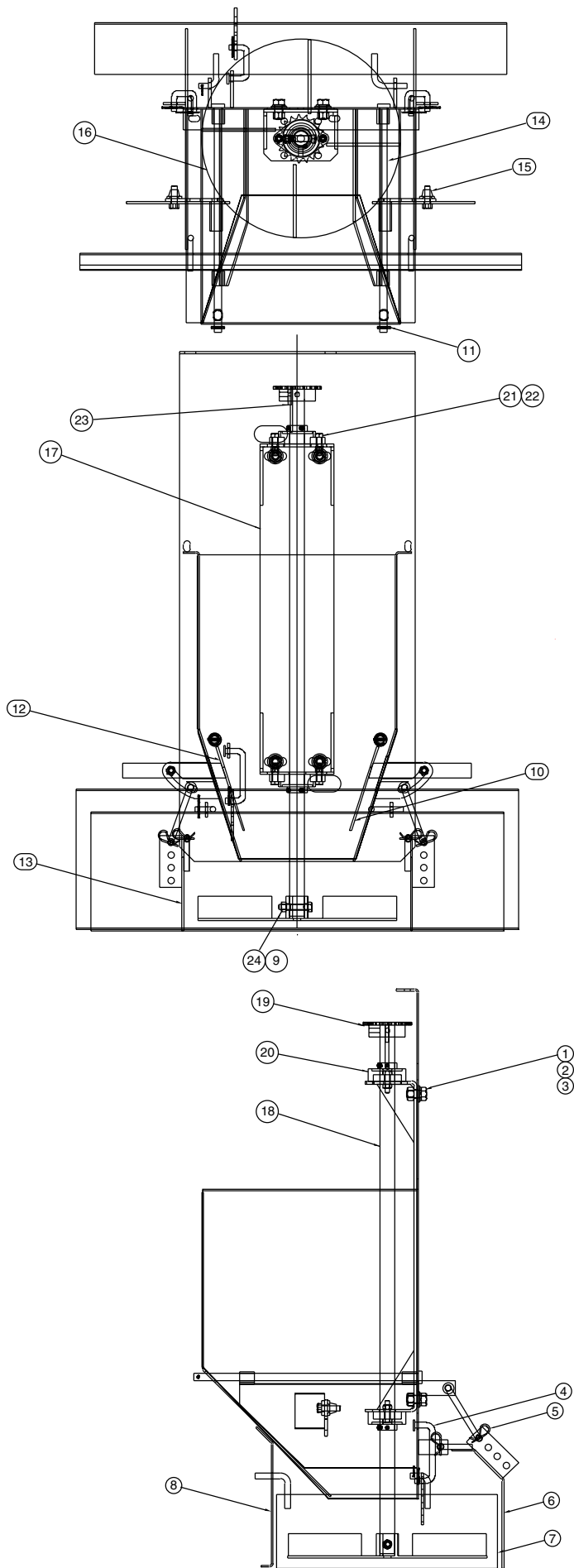
Item	Qty	Part Number	Description
1	4	05010689 05016047	BOLT, .5-13 X 1, G8, HHCS, ZINC BOLT, .5-13 X 1, HHCS, SST
2	4	05021309 05021391	WASHER, .5, FLAT, ZINC WASHER, .5, FLAT, SST
3	4	05021367 05021396	WASHER, .5, LOCK, ZINC WASHER, .5, LOCK, SST
4	3	05051225	ARM, ADJ LINK FOR NEW STYLE
5	6	05022045	PIN, .0725 X 1.562 X .375, HAIR
6	1	00057308-A 00057308-B 00057308-D	DEFLECTOR, REAR WELDMENT, MS DEFLECTOR, REAR WELDMENT, SST DEFLECTOR, REAR WELDMENT, AUSST
7	1	00057360-A 00057360-B 00057360-D	DEFLECTOR, SIDE LH, WELDMENT, MS DEFLECTOR, SIDE LH, WELDMENT, SST DEFLECTOR, SIDE LH, WELDMENT, AUSST
8	1	00057582-A 00057582-B 00057582-D	SPINNER FRAME WELDMENT, MS SPINNER FRAME WELDMENT, SST SPINNER FRAME WELDMENT, AUSST
9	1	05020898 05020891	NUT, .375-16, TOP LOCK, C&W, GR C NUT, .375-16, NYLON LOCK, SST
10	1	00057348-A 00057348-B 00057348-D	DIVERTER, LH FLOW, WELDMENT, MS DIVERTER, LH FLOW, WELDMENT, SST DIVERTER, LH FLOW, WELDMENT, AUSST
11	2	05022072	PIN, .156 X .875, ROLL, ZINC
12	1	00057347-A 00057347-B 00057347-D	DIVERTER, RH FLOW, WELDMENT, MS DIVERTER, RH FLOW, WELDMENT, SST DIVERTER, RH FLOW, WELDMENT, AUSST
13	1	00057359-A 00057359-B 00057359-D	DEFLECTOR, RH SIDE, WELDMENT, MS DEFLECTOR, RH SIDE, WELDMENT, SST DEFLECTOR, RH SIDE, WELDMENT, AUSST
14	2	05050122	PIN, PIVOT, .5 DIA X 15.25, PLATED
15	2	05050574	KNOB, PLASTIC STAR GRIP
16	1	00057257-A 00057257-B 00057257-D 05050064	SPINNER DISK WELDMENT, MS SPINNER DISK WELDMENT, SST SPINNER DISK WELDMENT, AUSST SPINNER DISC, 13.5 UHMW, CCW, BOLT-ON
17	1	00057275-A 00057275-B 00057275-D	BRACKET, BEARING HOLDER WELDMENT, MS BRACKET, BEARING HOLDER WELDMENT, SST BRACKET, BEARING HOLDER WELDMENT, AUSST
18	1	00057269	SPINNER SHAFT
19	1	05033007	SPROCKET, 41B19FX1, .25" KEYWAY
20	2	05030023	BEARING, 1" BORE, 2 BOLT MOUNT
21	4	05010619 05016139	BOLT, .313-18 X 1.25, G8, HHCS, ZINC BOLT, .313-18 X 1.25, HHCS, SST
22	4	05020265 05020855	NUT, .313-18, G2, HEX, ZINC NUT, .313-18, HEX, SST
23	1	05050121	KEY, .25 X .25 X 1.5"
24	1	05010647 05016166	BOLT, .375-16 X 2, G8, HHCS, ZINC BOLT, .375-16 X 2, HHCS, SST
25	4	05021364 05021407	WASHER, .313, LOCK, ZINC WASHER, .313, LOCK, SST
26	1	05051402	DECAL - DANGER: TURNING SPINNERS
27	1	05052310	DECAL - DANGER: KEEP GUARDS IN
28	1	00057496	ATTACHMENT KIT, SPINNER, MSPV, CHAIN <i>See Page 52</i>





**00042732 SPINNER ASSEMBLY, EXTENDED, HYD DRIVE**

Item	Qty	Part Number	Description
1	4	05010689 05016047	BOLT, .5-13 X 1, G8, HHCS, ZINC BOLT, .5-13 X 1, HHCS, SST
2	4	05021309 05021391	WASHER, .5, FLAT, ZINC WASHER, .5, FLAT, SST
3	4	05021367 05021396	WASHER, .5, LOCK, ZINC WASHER, .5, LOCK, SST
4	3	05051225	ARM, ADJ LINK FOR NEW STYLE
5	6	05022045	PIN, .0725 X 1.562 X .375 HAIR
6	1	00057308-A 00057308-B	DEFLECTOR, REAR, MSPV, WELDMENT, MS DEFLECTOR, REAR, MSPV, WELDMENT, SST
7	1	00057360-A 000573690-B	DEFLECTOR, SIDE LH, WELDMENT, MSPV, MS DEFLECTOR, SIDE LH, WELDMENT, MSPV, SST
8	1	00057585-A 00057585-B	SPINNER FRAME WELDMENT, MSPV, EXT, MS SPINNER FRAME WELDMENT, MSPV, EXT, SST
9	1	05020898 05020891	NUT, .375-16, TOP LOCK, C&W, GR C NUT, .375-16, NYLON LOCK, SST
10	1	00057348-A 00057348-B	DIVERTER, LH FLOW, WELDMENT, MSPV, MS DIVERTER, LH FLOW, WELDMENT, MSPV, SST
11	2	05022072	PIN, .156 X .875, ROLL, ZINC
12	1	00057347-A 00057347-B	DIVERTER, RH FLOW, WELDMENT, MSPV, MS DIVERTER, RH FLOW, WELDMENT, MSPV, SST
13	1	00057359-A 00057359-B	DEFLECTOR, RH SIDE, WELDMENT, MSPV, MS DEFLECTOR, RH SIDE, WELDMENT, MSPV, SST
14	2	05050122	PIN, PIVOT, .5 DIA X 15.25, PLATED
15	2	05050574	KNOB, PLASTIC STAR GRIP, .375-16
16	1	05051201	COUPLER, SHAFT, 1" X 4"
17	1	05006546	MOTOR, HYD, WHITE, 3.2 CID, 1" SHAFT <i>See Page 60-61</i>
18	1	05051402	DECAL- DANGER: TURNING SPINNERS.
22	1	00057257-A 00057257-B 05050064	SPINNER DISK WELDMENT, MSPV, MS SPINNER DISK WELDMENT, MSPV, SST SPINNER DISC, 13.5 UHMW, CCW, BOLT-ON
23	1	00057284-A 00057284-B	SHAFT MOUNT WELDMENT, SPINNER, MS SHAFT MOUNT WELDMENT, SPINNER, SST
24	1	00059548	SPINNER SHAFT MODIFICATION, EXT
25	1	05030023	BEARING, 1" BORE, 2 BOLT MOUNT
26	2	05010619 05016139	BOLT, .313-18 X 1.25, G8, HHCS, ZINC BOLT, .313-18 X 1.25, HHCS, SST
27	2	05020265 05020855	NUT, .313-18, G8, HEX, ZINC NUT, .313-18, HEX, SST
28	1	05050121	KEY, .25 X .25 X 1.5
29	1	05010647 05016166	BOLT, .375-16 X 2, G8, HHCS, ZINC BOLT, .375-16 X 2, HHCS, SST
30	4	05010642 05016050	BOLT, .375-16 X .875, G8, HHCS, ZINC BOLT, .375-16 X .875, HHCS, SST
31	4	05021365 05021392	WASHER, .375, LOCK, ZINC WASHER, .375, LOCK, SST
32	1	00012698	ATTACHMENT KIT, SPINNER MSPV, HYD KIT <i>See Page 52</i>
33	1	05052310	DECAL - DANGER: KEEP GUARDS IN



## 00057535 SPINNER ASSEMBLY, EXTENDED

Item	Qty	Part Number	Description
1	4	05010689 05016047	BOLT, .5-13 X 1, G8, HHCS, ZINC BOLT, .5-13 X 1, HHCS, SST
2	4	05021309 05021391	WASHER, .5, FLAT, ZINC WASHER, .5, FLAT, SST
3	4	05021367 05021396	WASHER, .5, LOCK, ZINC WASHER, .5, LOCK, SST
4	3	05051225	ARM, ADJ LINK FOR NEW STYLE
5	6	05022045	PIN, .0725 X 1.562 X .375, HAIR
6	1	00057308-A 00057308-B 00057308-D	DEFLECTOR, REAR, WELDMENT, MS DEFLECTOR, REAR WELDMENT, SST DEFLECTOR, REAR WELDMENT, AUSST
7	1	00057360-A 00057360-B 00057360-D	DEFLECTOR, SIDE LH, WELDMENT, MS DEFLECTOR, SIDE LH, WELDMENT, SST DEFLECTOR, SIDE LH, WELDMENT, AUSST
8	1	00057585-A 00057585-B 00057585-D	SPINNER FRAME WELDMENT, EXT, MS SPINNER FRAME WELDMENT, EXT, SST SPINNER FRAME WELDMENT, EXT, AUSST
9	1	05020898 05020891	NUT, .375-16, TOP LOCK, C&W NUT, .375-16, NYLONCK, SST
10	1	00057348-A 00057348-B 00057348-D	DIVERTER, LH FLOW, WELDMENT, MS DIVERTER, LH FLOW, WELDMENT, SST DIVERTER, LH FLOW, WELDMENT, AUSST
11	2	05022072	PIN, .156 X .875, ROLL, ZINC
12	1	00057347-A 00057347-B 00057347-D	DIVERTER, RH FLOW, WELDMENT, MS DIVERTER, RH FLOW, WELDMENT, SST DIVERTER, RH FLOW, WELDMENT, AUSST
13	1	00057359-A 00057359-B 00057359-D	DEFLECTOR, RH SIDE, WELDMENT, MS DEFLECTOR, RH SIDE, WELDMENT, SST DEFLECTOR, RH SIDE, WELDMENT, AUSST
14	2	05050122	PIN PIVOT, .5 DIA X 15.25, PLATED
15	2	05050574	KNOB, PLASTIC STAR GRIP
16	1	00057257-A 00057257-B 00057257-D 5050064	SPINNER DISK WELDMENT, MS SPINNER DISK WELDMENT, SST SPINNER DISK WELDMENT, AUSST SPINNER DISC, 13.5, UHMW, CCW, BOLT-ON
17	1	00057284-A 00057284-B 00057284-D	SHAFT MOUNT WELDMENT, SPINNER, MS SHAFT MOUNT WELDMENT, SPINNER, SST SHAFT MOUNT WELDMENT, SPINNER, AUSST
18	1	00057272	SPINNER SHAFT, EXT
19	1	05033007	SPROCKET, 19 TOOTH
20	2	05030023	BEARING, 1" BORE, 2 BOLT MOUNT
21	4	05010619 05016139	BOLT, .313-18 X 1.25, G8, HHCS, ZINC BOLT, .313-18 X 1.25, HHCS, SST
22	4	05020265 05020855	NUT, .313-18, G8, HEX, ZINC NUT, .313-18, HEX, SST
23	1	05050121	KEY, .25 X .25 X 1.5
24	1	05010647 05016166	BOLT, .375-16 X 2, G8, HHCS, ZINC BOLT, .375-16 X 2, HHCS, SST
25	4	05021364 05021407	WASHER, .313, LOCK, ZINC WASHER, .313, LOCK, SST
26	1	05051402	DECAL-DANGER: TURNING SPINNERS
27	1	05052310	DECAL-DANGER: KEEP GUARDS IN
28	1	00057496	ATTACHMENT KIT, SPINNER, MSPV, CHAIN

**00057496 ATTACHMENT KIT, SPINNER, STD, CHAIN DRIVE**

Item	Qty	Part Number	Description
1	1	05036054	CHAIN, ROLLER, #41 PITCH, 64 LINKS
2	2	05051069	ROD, .375-16 X 8.5, 90° BEND
3	4	05020266	NUT, .375-16, G8, HEX, ZINC
4	4	05021365	WASHER, .375, LOCK, ZINC
5	8	05021307	WASHER, .375, FLAT, ZINC
6	2	05010643	BOLT, .375-16 X 1, G8, HHCS, ZINC
7	2	05020898	NUT, .375-16, TOP LOCK, C&W, GR C

**00012698 ATTACHMENT KIT, SPINNER, MOTOR DRIVE**

Item	Qty	Part Number	Description
1	2	05051069	ROD, .375-16 X 8.5, 90° BEND
2	4	05020266	NUT, .375-16, G8, HEX, ZINC
3	4	05021365	WASHER, .375, LOCK, ZINC
4	8	05021307	WASHER, .375, FLAT, ZINC
5	2	05010643	BOLT, .375-16 X 1, G8, HHCS, ZINC
6	2	05020898	NUT, .375-16, TOP LOCK, C&W, GR C

**00057595 MOUNTING KIT, MSPV/MD, TURNBUCKLE**

Item	Qty	Part Number	Description
1	4	05036106	CHAIN, .25" HIGH TEST, 12" OAL
2	1	05050272	CARDBOARD BOX, 8" X 6.5" X 2.5"
3	4	05051060	TURNBUCKLE, .375" X 6" HOOK & HOOK
4	4	05051062	EYEBOLT, .375-16 X 2.5", 120 STYLE
5	8	05020266	NUT, .375-16, G8, HEX, ZINC
6	16	05021307	WASHER, .375, FLAT, ZINC
7	4	05020898	NUT, .375-16, TOP LOCK, C&W, GR C
8	4	05021365	WASHER, .375, LOCK, ZINC
9	4	05010643	BOLT, .375-16 X 1, G8, HHCS, ZINC

**00012396 MOUNTING KIT, CHAIN BINDERS WITH EYE BOLTS**

Item	Qty	Part Number	Description
1	4	05036106	CHAIN, .250 HIGH TEST, 12" OAL
2	1	05050050	CLAMPER, CHROME PLATED SET OF 4
3	1	05050272	CARDBOARD BOX, 8 X 6.5 X 2.5
4	4	05051062	EYEBOLT, .375 X 2.5, 120 STYLE
5	4	05010645	BOLT, .375-16 X 1.5, G8, HHCS, ZINC
6	12	05021307	WASHER, .375, FLAT, ZINC
7	4	05021365	WASHER, .375, LOCK, ZINC
8	8	05020266	NUT, .375-16, G8, HEX, ZINC
9	4	05020898	NUT, .375-16, GC, TOP LOCK, C&W

**00057518 EXTENSION ASSEMBLY, 6"**

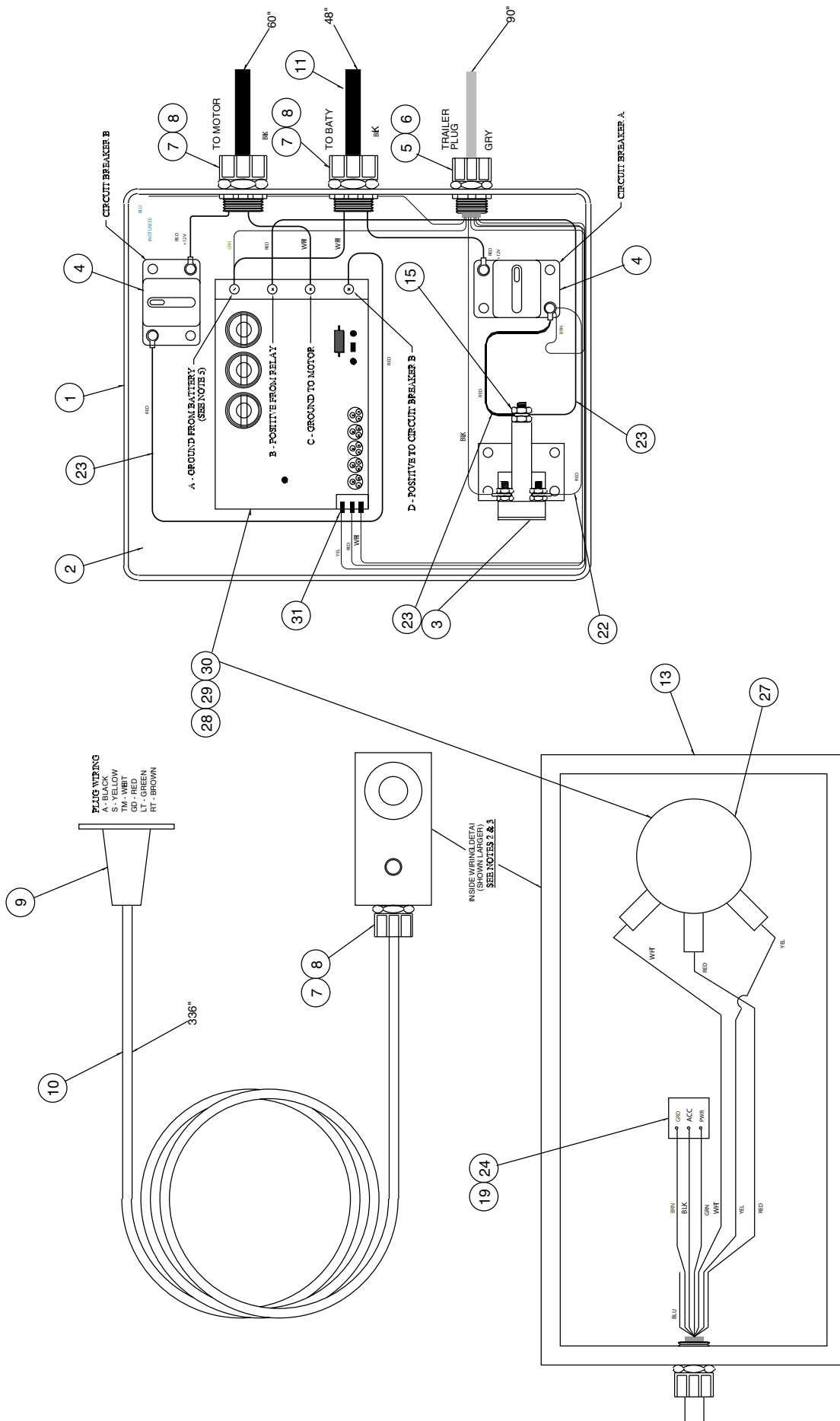
<b>Item</b>	<b>Qty</b>	<b>Part Number</b>	<b>Description</b>
1	2	00034584-A	EXTENSION WELDMENT, BOX, 96 X 6, MS
		00034854-B	EXTENSION WELDMENT, BOX, 96 X 6, SST
		00034588-A	EXTENSION WELDMENT, BOX, 108 X 6, MS
		00034588-B	EXTENSION WELDMENT, BOX, 108 X 6, SST
		00034589-A	EXTENSION WELDMENT, BOX, 120 X 50 X 6, MS
		00034589-B	EXTENSION WELDMENT, BOX, 120 X 50 X 6, SST
2	2	00023106-A	EXTENSION, END, 50 X 6, MS
		00023106-B	EXTENSION, END, 50 X 6, SST
3	22/24	05010618	BOLT, .313-18 X 1, G8, HHCS, ZINC
		05016138	BOLT, .313-18 X 1, HHCS, SST
4	22/24	05021364	WASHER, .313, LOCK, ZINC
		05021407	WASHER, .313, LOCK, SST
5	22/24	05020265	NUT, .313-18, G8, HEX, ZINC
		05020855	NUT, .313-18, HEX, SST

**00011708 THROTTLE CONTROL, ELEC**

Item	Qty	Part Number	Description
1	1	05041238	PANEL, STD ELECTRIC THROTTLE
2	1	05041240	HARNESS, MSPV, STD ELECTRIC THROTTLE
3	5	05052475	CLAMP, .375" CUSHIONED METAL, #6, .5 WIDE, SST
4	1	00057496	ATTACHMENT KIT, SPINNER

**00011709 THROTTLE CONTROL, DELUXE**

Item	Qty	Part Number	Description
2	1	05041233	PANEL, DELUXE ELECT, W/ MTE LOGO
3	1	05041234	HARNESS, MSPV, DELUX ELECTRIC THROTTLE
4	3	05050164	CLAMP, .5" ID, CUSHIONED METAL
5	1	00057496	ATTACHMENT KIT <i>See Page 52</i>
6	1	05051397	CARDBOARD BOX, 14.50 X 14.50 X 3, RSC

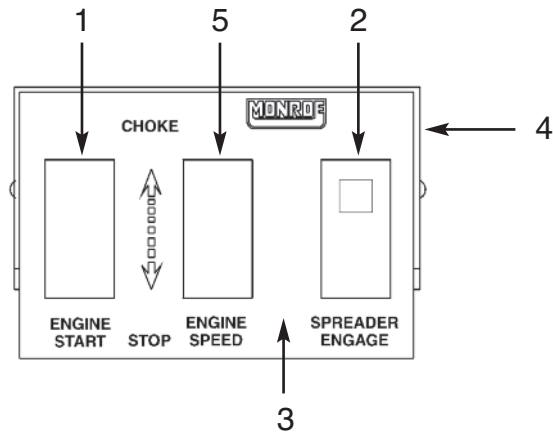




## 00068293 ELECTRIC DRIVE VARIABLE CONTROL

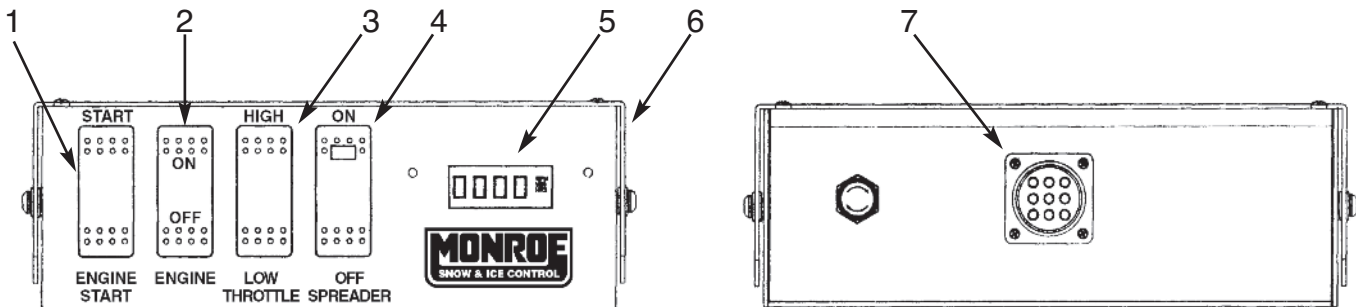
Item	Qty	Part Number	Description
1	1	05041187	JUNCTION BOX, 12" X 10" X 5"
2	1	05041188	PLATE, JUNCTION BOX
3	1	05041359	RELAY, 100 AMP, 12VDC, HEAVY DUTY
4	2	05041325	CIRCUIT BREAKER, 50 AMP, RESETABLE
5	1	05041130	FITTING, .75" COMPRESSION, PLASTIC
6	1	05041148	NUT, .75 W/ SEAL
7	3	05041147	FITTING, .5" COMPRESSION, PLASTIC
8	3	05041149	NUT, .5" W/ SEAL
9	1	05041112	PLUG, 6-POLE, TRAILER CONNECTOR
10	36 FT	05041524	CABLE, WIRE, 14 GAUGE, / 7 CONDUCTOR, TRAILER
11	9 FT	05040359	CABLE, WIRE, 10 GAUGE, 2 CONNECTOR
12	2 FT	05051858	TUBING, .5 BLACK SHRINK
13	1	05041632	JUNCTION BOX, WEATHERPROOF
14	1	05041334	SOCKET, 6-POLE, TRAILER CONNECTOR, MOLDED
15	4	05041470	TERMINAL, RING, .5" STUD
16	2	05041312	TERMINAL, RING, #6 STUD
17	.5 FT	05051856	TUBING, .375" BLACK SHRINK
18	3	05041377	TERMINAL, RING, .375" STUD, 16-14GA, WIRE
19	6	05050662	HEAT SHRINK FEMALE DISCONNECT
20	.16 FT	05051857	TUBING, .313" BLACK SHRINK
21	.5 FT	05051859	TUBING, .25" BLACK SHRINK
22	1 FT	05051757	WIRE, 14GA, RED
23	2 FT	05051754	WIRE, 10GA, RED
24	1	05041478	SWITCH, TOGGLE, LIGHTED, SPST, ON/OFF
25	2	05050121	KEY, .25 X .25 X 1.5"
26	2	05051284	KEY, WOODRUF
27	1	05041320	CONTROL, 12VDC VARIABLE
28	10	05016956	SCREW, #10-24 X 1, HEX HEAD
29	10	05020964	NUT, #10-25, NYLON LOCK, 316 SST
30	20	05021413	WASHER, #10, FLAT, 18-8
31	3	05041421	CONNECTOR, FEMALE, SPADE
32	1	05052389	DECAL, DANGER, ELECTROCUTION
33	1	05041147	FITTING, .5 COMPRESSION

## 05041238 Electric Control Panel



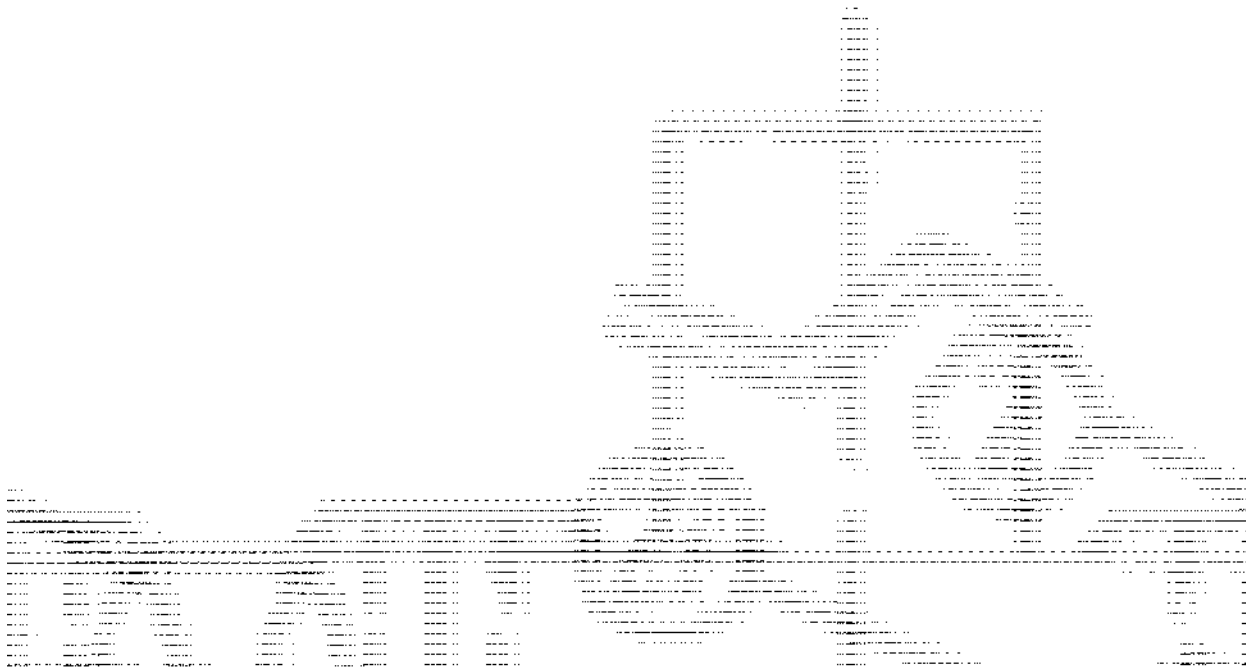
ITEM	QTY	PART #	DESCRIPTION
1	1	05041100	Switch, Starter
2	1	05041103	Switch, Spreader Engage
3	1	05041277	Plate, Electric Throttle Control
4	1	05041278	Bracket, Mounting
5	1	05041102	Switch, Throttle

## 05041233 Deluxe Control Panel



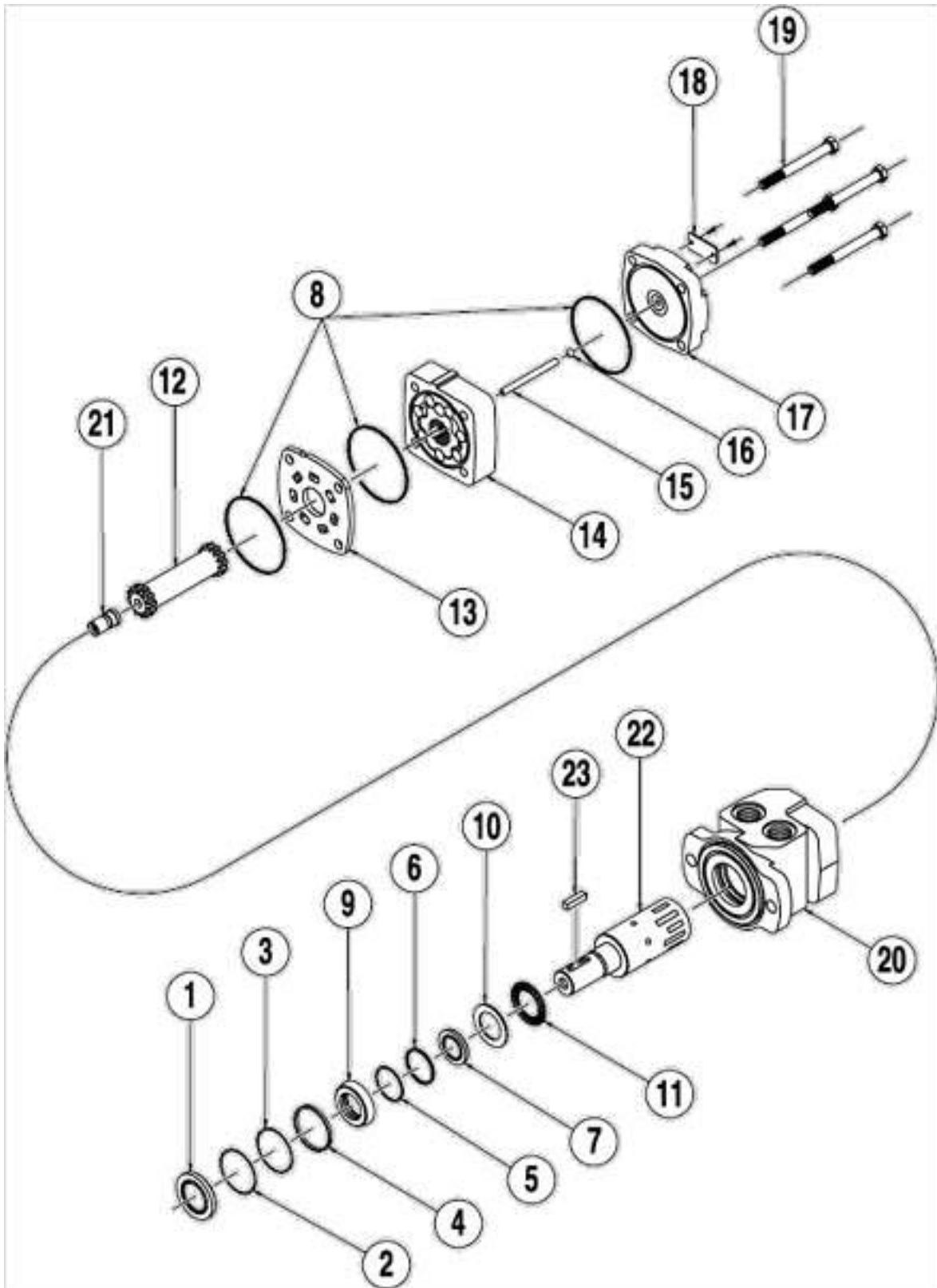
ITEM	QTY	PART #	DESCRIPTION
1	1	05041100	Switch, Engine Start
2	1	05041101	Switch, Engine On/Off
3	1	05041102	Switch, Throttle
4	1	05041103	Switch, Spreader Engage
5	1	05041104	Tachometer
6	1	05041105	Bracket, Mounting
7	1	05041106	Receptacle, 7-Pole

## 05007337 GEARBOX, 20:1, 1.25" SHAFT DIA, 18" LG, 4B



<b>GEARBOX, 20:1, 1.25" SHAFT, DIA, 18"</b>			
Item	Qty	Part Number	Description
1	1	05007377	Gear, Worm, Cut
2	1	05007378	Housing, Machine, Tap Black
3	1	05007379	Housing, Machine
4	1	05007380	Gear, Worm
5	2	05007381	Bearing, Cone, 1
6	2	05007382	Bearing, Cone
7	4	05007383	Bearing, Cup
8	1	05007081	Retaining Ring, Ext 1 Shaft
9	1	05007082	Retaining Ring, Ext 1.25 Shaft
10	1	05051110	Seal, 1-1.499-.25
11	1	05051140	Seal, 1.25-2-.312
12	1	05007384	Key, .25 x .25, 1.080
13	1	05007385	Key, .25 x .25, 1.580
14	5	05007386	Plug, .25-18 NPT
15	1	05007387	End Cap, 2.312-.313
16	1	05051136	End Cap, 2-.312
17	1	05007388	Bushing, .25 x .125
18	1	05007366	Plug, Vent
19	1	05051471	Seal, 1-2.312-.312
20	8	05007389	Bolt, .313-18 x 1.25
21	1	05007390	Aerk, Grease Spin Drive
22	1	05007391	Shaft, Input
23	1	05007392	Shaft, Output
24	1	05007393	End Cap
25	2	05007394	Key, .25 x .875
26	2	05007395	Key, .25 x .25 x 2.25
27	1	05007376	Guard, Shaft, Worm
28	14	05007372	Lube

05006546 MOTOR, HYDRAULIC, WHITE, 3.2 CI, 4 BOLT



## MOTOR ASSEMBLY PARTS LIST

Item	Part Number	Description
1	Seal Kit 05006061	Dust Seal
2		Split Wire Ring
3		Metal Backup Shim
4		High Pressure Seal
5		Metal Backup Shim
6		Teflon Backup Shim
7		Shaft Seal
8		Body Seals (3)
9		Seal Carrier
10		Thrust Washer
11	05006357	Thrust Bearing
12	05006362	Drive Link Kit
13	05006359	Wear Plate
14	05006361	Rotor Kit
15	05006363	Drive Link Pin Kit
16	---	Included in item #15 Drive Link Pin Kit
17	05006360	End Cover
18	---	Serial Number Plate
19	05006364	Bolt Set Kit
20	05006564	Housing Kit, 4-Hole, w/ 7/8" O-Ring
21	05006358	Cooling Plug
22	05006370	Shaft Kit, 1" Straight
23	05006371	Key Kit, 1" Straight

## HOW TO ORDER PARTS

To order or inquire about replacement parts, please contact the distributor or store that the product was purchased through. To speed the information flow, please have the follow information ready:

- Model Number
- Serial Number
- Part Number and/or description as per the parts manual
- Quantity needed

For further information about **Monroe Truck Equipment** replacement parts, please call 800-880-0109 and ask for **Snow & Ice Parts Sales**.

## RETURN POLICY

Merchandise returned to **Monroe Truck Equipment** must have a Warranty Service Request (WSR) form filled out completely and signed by authorized personnel. To get your WSR form, call 800-880-0109. For whole goods, ask for **Snow & Ice Sales**. For replacement parts, ask for **Snow & Ice Parts Sales**. All returned items are subject to a 15% restocking fee and must be sent freight prepaid!

## MONROE TRUCK EQUIPMENT, INC. WARRANTY SNOW & ICE CONTROL PRODUCTS

**Monroe Truck Equipment, Inc.** warrants to the original purchaser, that if any part of the product proves to be defective in workmanship or material within **ONE YEAR** of the original installation, and is returned to us within 30 days of the discovered defect, we will (at our option) repair or replace the defective part. This warranty does not apply to damage resulting from misuse, neglect, accident, improper installation, normal wear items or lack of maintenance. This warranty is exclusive and supersedes all other warranties, whether expressed or implied. **Monroe Truck Equipment, Inc.** neither assumes, nor authorizes anyone to assume for it, any other obligation or liability in connection with this warranty and will not be liable for consequential damages.

All engines, pumps, motors, cylinders and valves are warranted by their manufacturer and not by **Monroe Truck Equipment, Inc.**. The manufacturer's warranty will apply to these parts. Electrical and hydraulic components are not to be disassembled without the express written permission of Monroe Truck Equipment. Use of replacement parts other than original equipment voids this warranty.

All defective parts returned must be accompanied by the model number, serial number, date installed, date of defect, description of defect, and the name of the distributor from whom it was purchased. All warranty claims must have prior written approval from **Monroe Truck Equipment, Inc.**

***Please return the warranty registration card that accompanies this manual to confirm receipt of this parts catalog and acknowledge the information contained within. Failure to return the attached card may result in a voided warranty.***

# **Warranty Policy**

## **Uninstalled Parts and Equipment provided by Monroe Truck Equipment**

Monroe Truck Equipment will provide the following limited warranty for a period of one year to the original purchaser of all uninstalled goods provided by Monroe Truck Equipment:

**LIMITED WARRANTY:** All goods provided by Monroe Truck Equipment (MTE) will be free from defects in material and workmanship for a period of one year from the date of purchase by the original purchaser. This limited warranty shall be the sole and exclusive remedy for any such product found to be defective. This limited warranty supercedes all previous warranties and is exclusive and in lieu of all other warranties, whether expressed or implied.

This limited warranty applies only to parts or accessories manufactured by MTE and/or provided by same. Except with respect to title, this limited warranty does not pertain to parts or accessories not manufactured and/or provided by MTE, regardless of whether such parts or accessories were selected and/or recommended by MTE. MTE will, as a service to the buyer, pass on any warranties received from the original manufacturer of MTE provided parts and/or accessories.

MTE will not under any circumstances be liable for any incidental or consequential damages whether in tort, contract, or otherwise, for any bodily injury, death, property damage, loss of use, or loss of income resulting from or in any way arising out of any goods provided by MTE, or their sale, use, or manufacture.

Any warranty claim deemed to be arising from the result of misuse, abuse, neglect, accident, improper installation, lack of maintenance, act of war (whether declared or otherwise), or act of God will be denied. Any repair or modification by the buyer or any third party, without the prior written consent of MTE, will void any possible warranty compensation. Any damage deemed to be the result of abnormal operation will not be compensated by this warranty.

Normal or special maintenance items such as fuels, fluids, tires, belts, hoses, filters, air cleaners, light bulbs, and any other items subject to normal wear and tear that are supplied in connection with goods provided by MTE are not allowed under this warranty.

All engines, pumps, cylinders, valves, and motors are warranted by their manufacturer and not by Monroe Truck Equipment. The manufacturer's warranty will apply to these parts. Electrical and hydraulic components are not to be disassembled without the express written consent of MTE. Any disassembly of MTE provided components without prior authorization will void the applicable warranty.

Monroe Truck Equipment shall be the sole and final determining authority as it applies to the administration of this warranty policy. Purchaser acknowledges receipt of Monroe Truck Equipment Warranty Policy and agrees to be bound by same.

Any and all warranty claims must be forwarded to MTE within 10 days of defect discovery. A copy of the original Monroe Truck Equipment invoice as well as the manufacturer's model number, serial number, and date of installation must accompany all correspondence regarding said claims. MTE will, at their option, choose whether to repair or replace the defective part unless otherwise specified by the original manufacturer of said part.

### **Procedures for Warranty Claims Notification**

For submission of any warranty claim please contact Monroe Truck Equipment – Warranty Department at 800-356-8134

The following documentation will be needed when you call for initial warranty authorization:

A copy of the original MTE invoice.

Make, Model, and VIN or Serial Number of the equipment involved.

Part number and serial number of the part in question.

A complete description of the problem.

The following must accompany any claim submitted to Monroe Truck Equipment:

Documented photographs of any physical damage.

Inspection notes by MTE personnel or MTE authorized 3<sup>rd</sup> party.

Authorization number issued by Monroe Truck Equipment – Warranty Department.

**Defective parts must be returned to Monroe Truck Equipment (freight prepaid) within 30 days of issuance of Authorization Number.**

**Monroe Truck Equipment reserves the right to void any warranty for failure to comply with Monroe Truck Equipment Warranty Policy.**

**This policy is effective January 1, 2004**